



### Construction

Pre-filters with removable basket, constructed in stainless steel. Loose ring flange connections. Clamp type closing with lever and double adjustment clamp. Inner basket with  $\varnothing$  6 mm holes.

### Applications

For water circulation pump in filtration plants in swimming pools. To prevent foreign bodies from entering the pump and the plant.

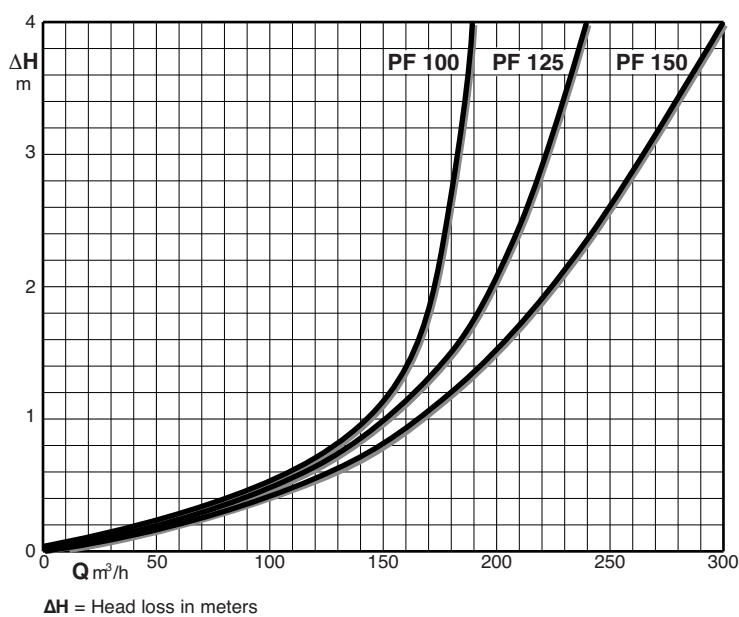
### Operating conditions

Max working pressure: 3 bar.  
 Max flow: 180 m<sup>3</sup>/h for PF 100.  
 240 m<sup>3</sup>/h for PF 125.  
 300 m<sup>3</sup>/h for PF 150.

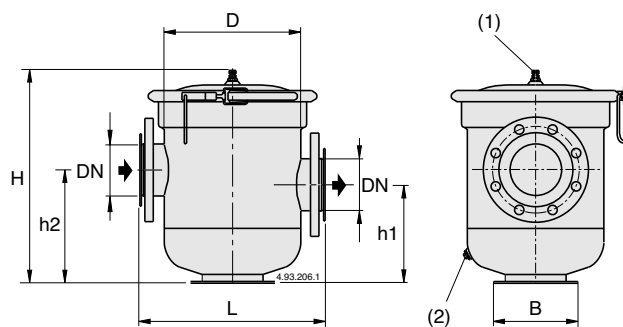
### Materials

Components	Materials
Pre-filter body PF 100-304 PF 125-304 PF 150-304	Stainless steel AISI 304
Pre-filter body PF 100-316 PF 125-316 PF 150-316	Stainless steel AISI 316
Strainer basket	Stainless steel AISI 316

### Diagram of head loss



### Dimensions and weights



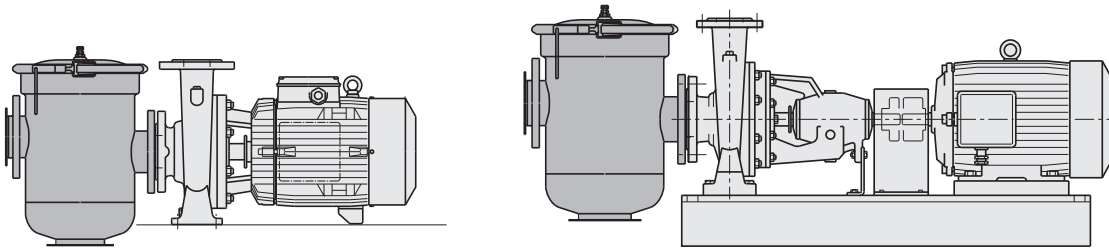
Flanges UNI 6089 PN 10

Type	mm							kg
	DN	H	h1	h2	L	D	B	
PF 100	100	530	247	287	440	292	185	17,5
PF 125	125				440	292	185	17,7
PF 150	150	550	260	300	500	350	210	23,3

1 Relief valve

2 Draining plug

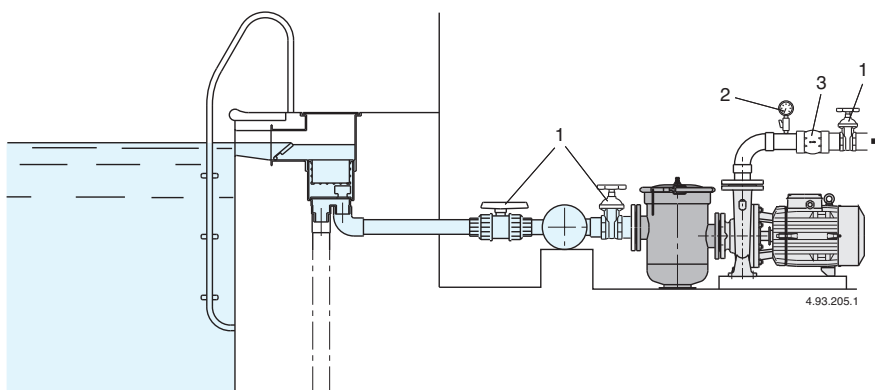
### Recommended pumps and pre-filters



Pump		kW	HP	Pre-filter type	Q m <sup>3</sup> /h		H m	
Bronze	Cast iron				min	max	min	max
B-NM 80/160E/B	NM 80/16E/B	7,5	10	PF 100	75	168	10,6	21,5
B-NM 80/160D/C	NM 80/16D/C	9,2	12,5		75	168	14,4	25,2
B-NM 80/160C/C	NM 80/16C/C	11	15		75	180	16,4	28,7
B-NM 80/160B/C	NM 80/16B/C	15	20		75	192	22,4	34,8
B-NM 80/160A/C	NM 80/16A/C	18,5	25		75	192	28,1	39,9
B-N4 80/200A/A	NM4 80/20A/A	4	5,5	PF 100	30	120	6	13,9
B-N4 100/200B/A	NM4 100/20B/A	4	5,5	PF 125	48	168	4,5	15,2
B-N4 100/200A/A	NM4 100/20A/A	7,5	10		48	192	6	22,3
B-N4 100/250B/A	NM4 100/25B/A	5,5	7,5	PF 125	48	210	5,5	12
B-N4 100/250A/A	NM4 100/25A/A	9,2	12,5		48	210	8,9	19,5
B-N4 125/250C/A	NM4 125/25C/A	11	15	PF 150	84	300	5,8	16,7
B-N4 125/250B/A	NM4 125/250B/A	9,2	12,5		84	330	8,2	19,3
B-N4 125/250A/A	NM4 125/250A/A	15	20		84	330	9,3	22,7

### Examples of installations

#### Operation with positive suction head



- 1 Gate valve
- 2 Pressure gauge
- 3 Check valve
- 4 Foot valve

#### Operation with suction lift

