

# CT 61

## Peripheral Pump



### Construction

Close-coupled peripheral pump (regenerative pump) with turbine impeller. Compact, patented construction with single-piece motor casing and pump-side wall.

Protected against water entering the motor from outside.

CT: version with pump casing in cast iron.

B-CT: version with pump casing in bronze  
(the pumps are supplied fully painted).

### Applications

For clean liquids without abrasives, without suspended solids, non-explosive, non-aggressive for the pump materials.

For increasing network pressure (follow local specifications).

For the reduced dimensions, these pumps are very well suitable to be mounted in cooling and air-conditioning machines and equipments, circulation.

### Operating conditions

Liquid temperature up to 60 °C.

Ambient temperature up to 40 °C.

Total suction lift up to 7 m.

Maximum permissible working pressure: 6 bar.

Continuous duty (S3 60% for three-phase motors).

### Motor

2-pole induction motor, 50 Hz ( $n \approx 2900$  rpm).

**CT 61:** three-phase 230/400 V  $\pm$  10%.

**CTM 61:** single-phase 230 V  $\pm$  10%, with thermal protector.  
Capacitor inside the terminal box.

Insulation class F.

Protection IP 54.

**IE2 efficiency class for three-phase motors**

Constructed in accordance with: EN 60034-1;

EN 60335-1, EN 60335-2-41.

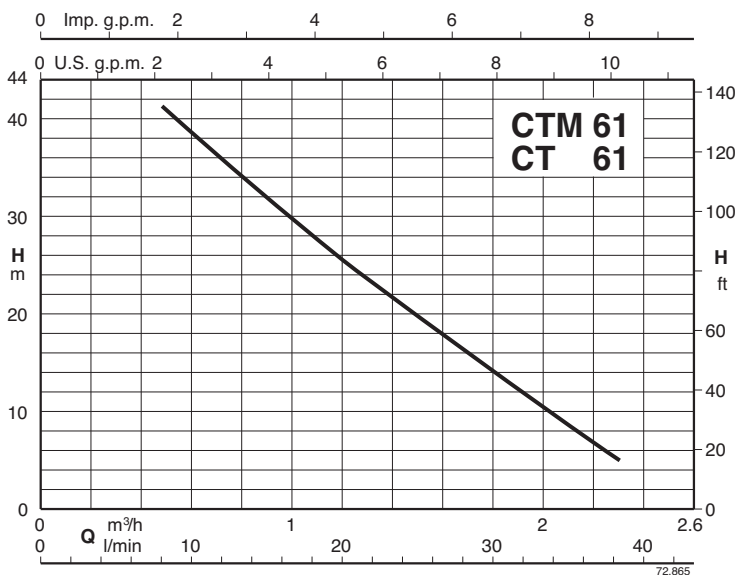
### Special features on request

- Other voltages.
- Frequency 60 Hz (as per 60 Hz data sheet).
- Special mechanical seal.

### Materials

Components	CT 61	B-CT 61
Pump casing	Cast iron GJL 200 EN 1561	Bronze CC480K EN 1982
Casing cover motor side	Brass CW617N EN 12165	
Impeller	Brass CW617N EN 12165	
Shaft	Chrome steel 1.4104 EN 10088 (AISI 430)	
Mechanical seal	Carbon - Ceramic - NBR	

### Coverage chart $n \approx 2900$ rpm



# CT 61

## Peripheral Pump



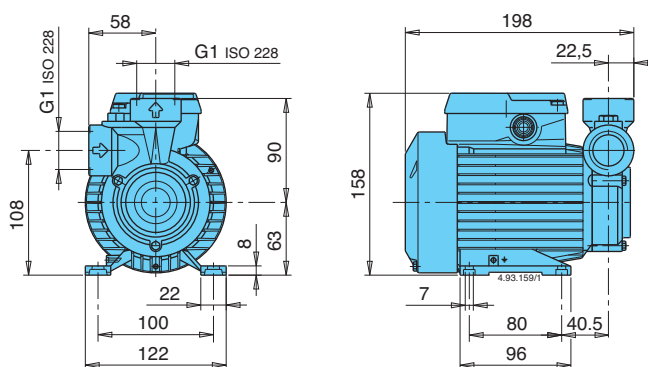
### Performance $n \approx 2900$ rpm

3~	230V 400V		1~	230V A	P <sub>1</sub> kW	P <sub>2</sub>		Q m <sup>3</sup> /h l/min	0,48 8	0,6 10	0,75 12,5	0,96 16	1,2 20	1,5 25	1,89 31,5	2,3 38
	A	A				kW	HP									
<b>CT 61/A</b> <b>B-CT 61/A</b>	1,9	1,1	<b>CTM 61/A</b> <b>B-CTM 61/A</b>	2,5	0,55	0,33	0,45	<b>H m</b>	41	38,5	35,5	31	25,5	19	11	5

H Total head in m.

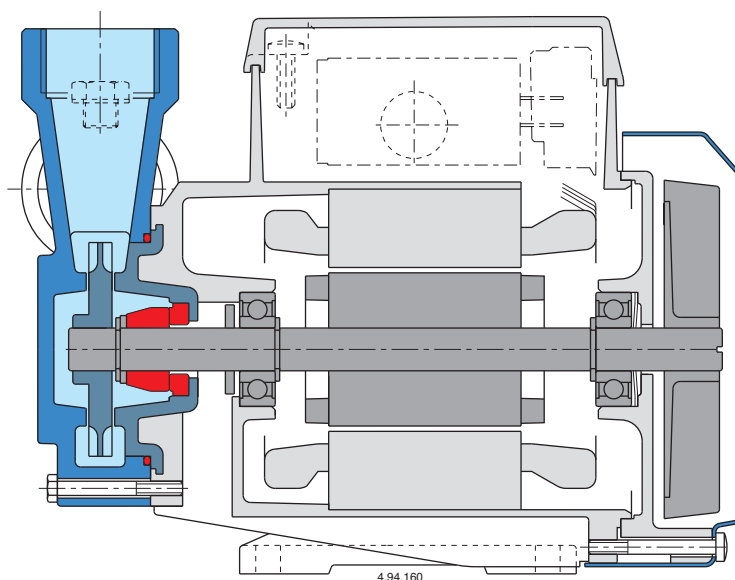
P<sub>2</sub> Rated motor power output.

### Dimensions and weights



CT 61/A **4,9** kg  
 CTM 61/A **5** kg  
 B-CT 61/A **5,1** kg  
 B-CTM 61/A **5,2** kg

### Features



4.94.160

# CT 60

## Peripheral Pump



### Construction

Close-coupled peripheral pump (regenerative pump) with turbine impeller.

Compact, patented construction with single-piece motor casing and pump-side wall.

Protected against water entering the motor from outside.

### Applications

For clean liquids without abrasives, without suspended solids, non-explosive, non-aggressive for the pump materials.

For increasing network pressure (follow local specifications).

For the reduced dimensions, these pumps are very well suitable to be mounted in cooling and air-conditioning machines and equipments, circulation.

### Operating conditions

Liquid temperature up to 60 °C.

Ambient temperature up to 40 °C.

Total suction lift up to 7 m.

Maximum permissible working pressure: 6 bar.

Continuous duty (S3 60% for three-phase motors).

### Motor

2-pole induction motor, 50 Hz ( $n \approx 2900$  rpm).

**CT 60:** three-phase 230/400 V  $\pm 10\%$ .

**CTM 60:** single-phase 230 V  $\pm 10\%$ , with thermal protector. Capacitor inside the terminal box.

Insulation class F.

Protection IP 54.

**IE2 efficiency class for three-phase motors.**

Constructed in accordance with: EN 60034-1;

EN 60335-1, EN 60335-2-41.

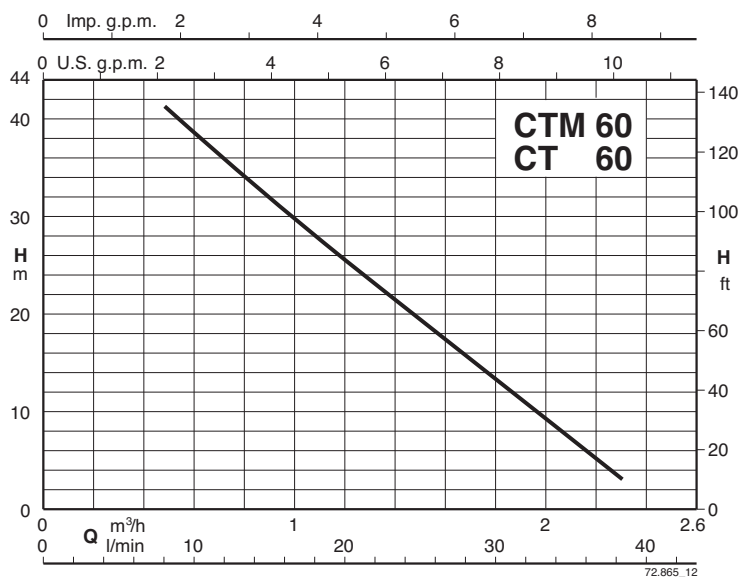
### Special features on request

- Other voltages.
- Frequency 60 Hz (as per 60 Hz data sheet).
- Special mechanical seal.

### Materials

Components	Materials
Pump casing	Cast iron GJL 200 EN 1561
Casing cover motor side	Brass CW617N EN 12165
Impeller	Brass CW617N EN 12165
Shaft	Chrome steel 1.4104 EN 10088 (AISI 430)
Mechanical seal	Carbon - Ceramic - NBR

### Coverage chart $n \approx 2900$ rpm



# CT 60

## Peripheral Pump



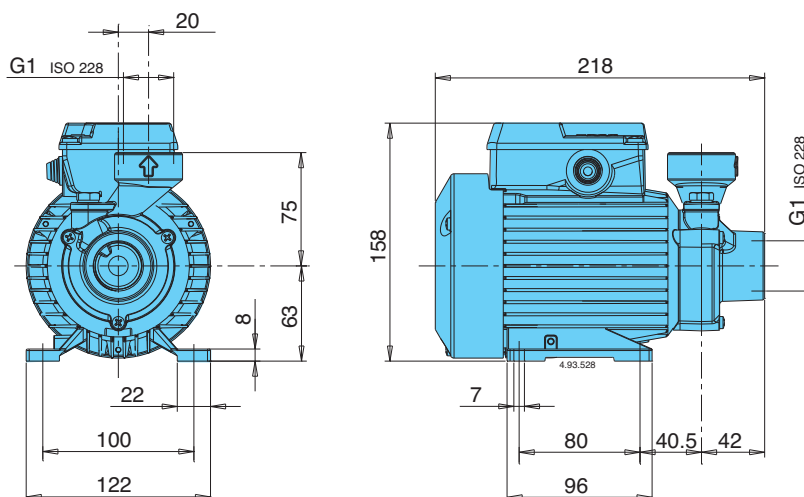
### Performance $n \approx 2900$ rpm

3~	230V 400V		1~	230V	P <sub>1</sub>	P <sub>2</sub>		Q								
	A	A				A	kW		kW	HP	m <sup>3</sup> /h	0,48	0,6	0,75	0,96	1,2
CT 60/A	1,9	1,1	CTM 60/A	2,5	0,55	0,33	0,45	H m	41	38,5	35,5	31	25,5	19	11	3

H Total head in m.

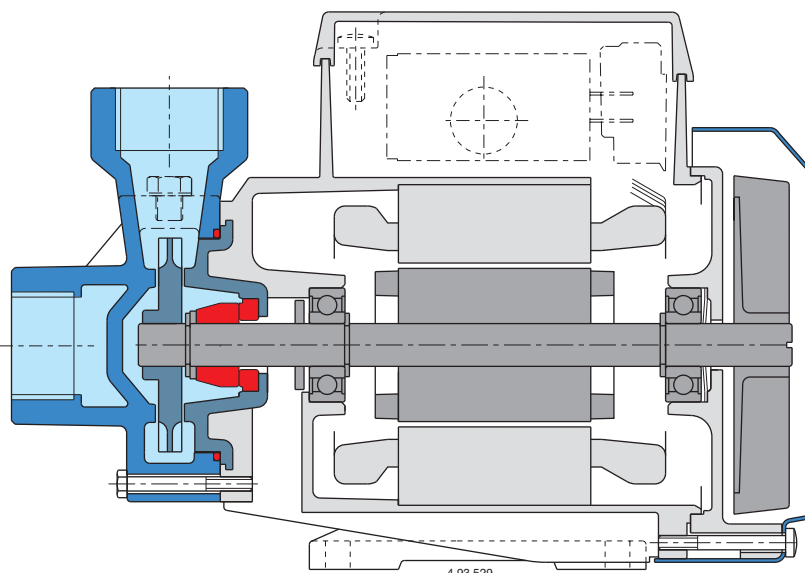
P<sub>2</sub> Rated motor power output.

### Dimensions and weights



CT 60/A 4,9 kg  
CTM 60/A 5 kg

### Features



Patented