



Construction

Submersible pumps with high power grinder, with horizontal flanged and threaded delivery port (DN 32 PN 6 - G 1 1/2). Double mechanical shaft seal with interposed oil chamber, to protect against dry-running.

Applications

Suitable for pumping waste water containing long filamentous, paper and textile materials and organics. They are particularly suitable for use in domestic, residential and industrial installations. Solid passage Ø 6 mm

Operating conditions

Liquid temperature up to 35° C.
 Maximum immersion depth: 5 m.
 Minimum immersion depth: 300 mm.
 Continuous duty (with submerged motor).

Motor

2-pole induction motor, 50 Hz (n ≈ 2900 rpm).
GQG: three-phase 230 V ± 10%;
 three-phase 400 V ± 10%;
GQGM: single-phase 230 V ± 10%,
 with float switch, thermal protection and control box with starting capacitors.
 Cable: H07RN8-F, 4G1 mm² (4G1,5 mm² for GMGM 6-25), length 10 m.
 Insulation class F.
 Protection IP X8 (for continuous immersion)
 Triple impregnation humidity-proof dry winding.
 Constructed in accordance with: EN 60034-1;
 EN 60335-1, EN 60335-2-41.

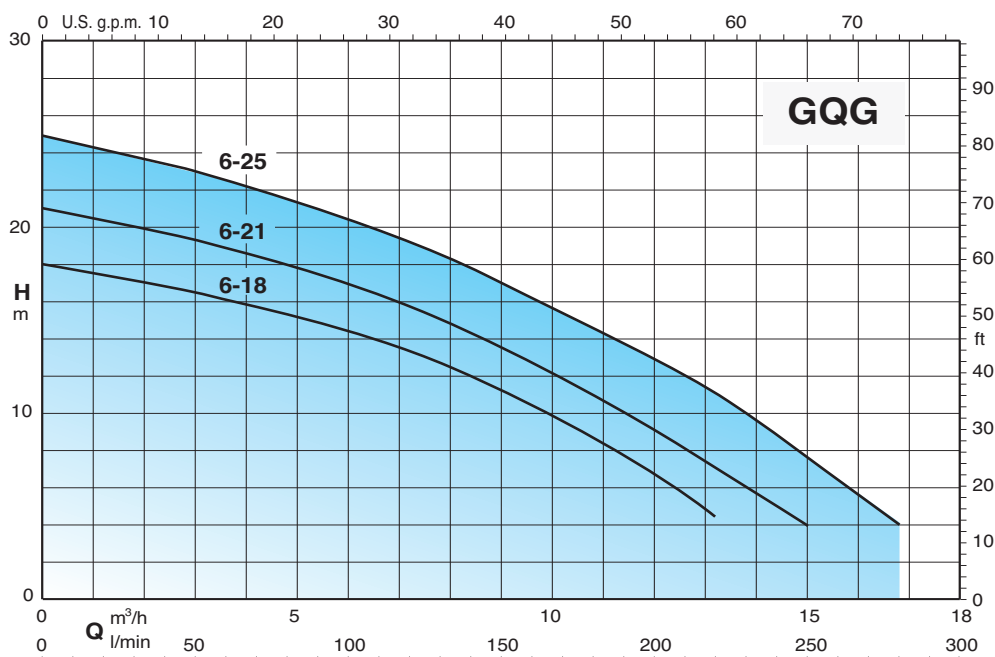
Materials

Component	Material
Pump casing Impeller Casing cover	Cast iron GJL 200 EN 1561
Rotating cutting blade Fixed cutting blade	Nickel-Molybdenum steel 1.4125 EN 10088 (AISI 440C)
Motor jacket Jacket cover	Chrome-nickel steel 1.4301 EN 10088 (AISI 304)
Handle	Polypropylene (with frame in AISI 304)
Shaft	Chrome-nickel steel 1.4305 EN 10088 (AISI 303)
Mechanical seal: upper lower	Ceramic alumina/Carbon/NBR
Seal lubrication oil	Oil for food/pharmaceutical machinery

Other features on request

- Other voltages.
- Frequency 60 Hz.
- Other mechanical seal.
- Cable length 20 m.
- Vertical magnetic float switch.
- Three-phase pumps with incorporated float switch.

Characteristic curves n ≈ 2900 rpm



Performance $n \approx 2900$ rpm

3~	230V 400V		1~	230V Capacitor			P ₁	P ₂		Q	H m							
	A	A		A	μf	Vc		kW	kW		HP	0	3	6	9	12	13,2	15
GQG 6-18	4	2,3	GQGM 6-18	7	30+80	450	1,3	0,9	1,2	m ³ /h	18	16,5	14,5	11,2	6,5	4,5		
GQG 6-21	4,8	2,8	GQGM 6-21	7,5	30+80	450	1,5	1,1	1,5	l/min	21	19,2	17	13,5	9	7	4	
GQG 6-25	6,6	3,8	GQGM 6-25	9,5	30+80	450	2	1,5	2		25	23	20,5	17	13	11	7,8	4

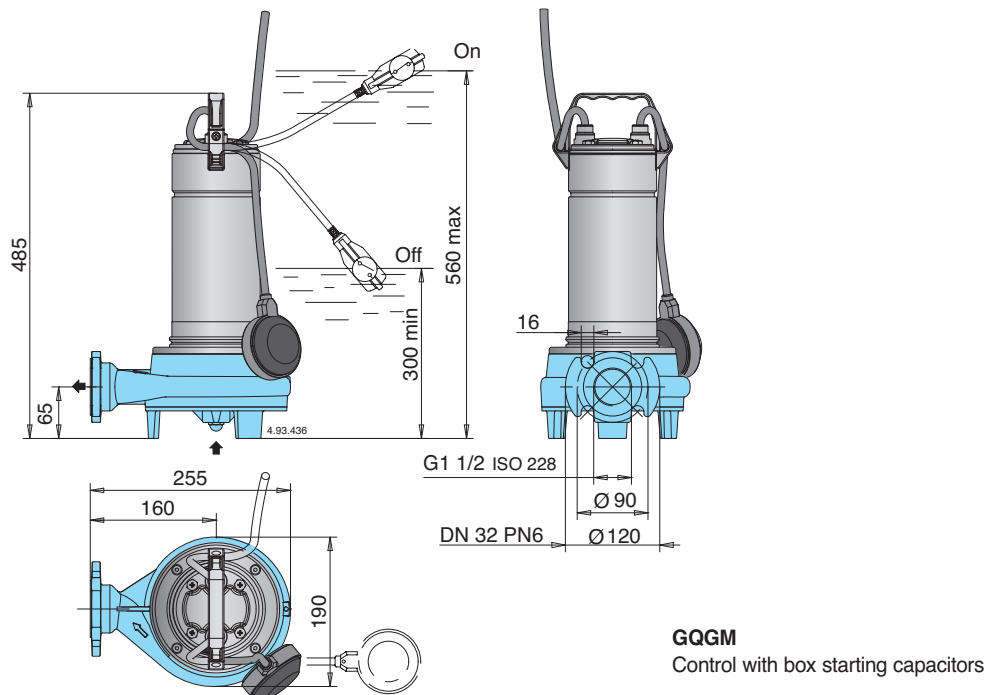
P1 Max. power input.

P2 Rated motor power output.

Density $\rho = 1000$ kg/m³.

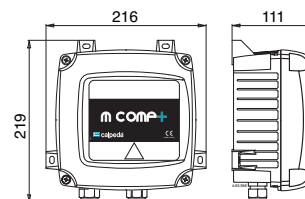
Kinematic viscosity $\nu = \max 20$ mm²/sec.

Dimensions and weights

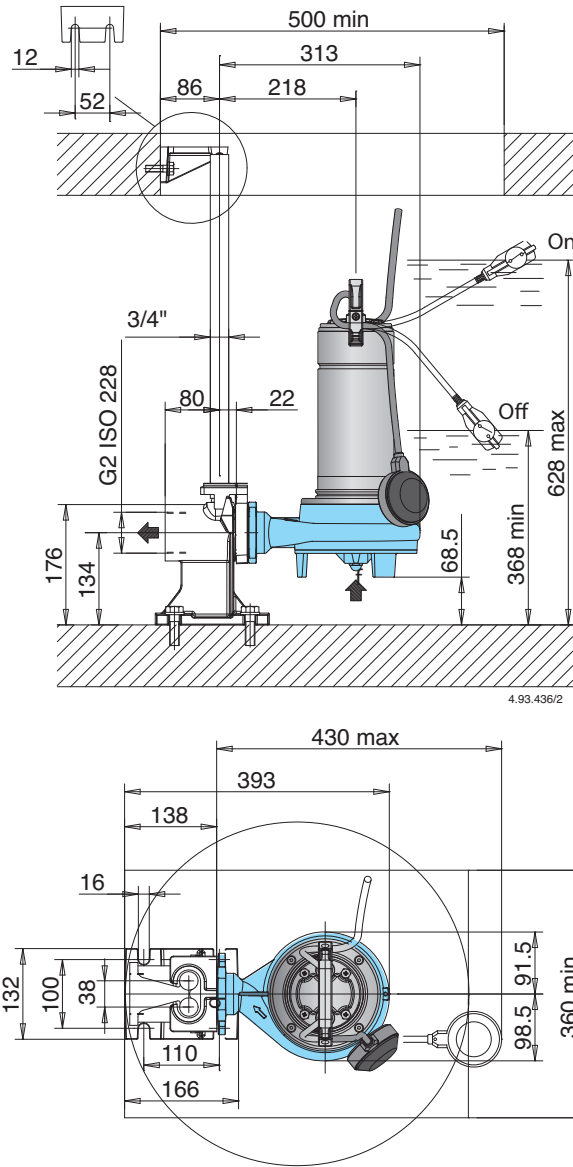


GQGM
Control with box starting capacitors

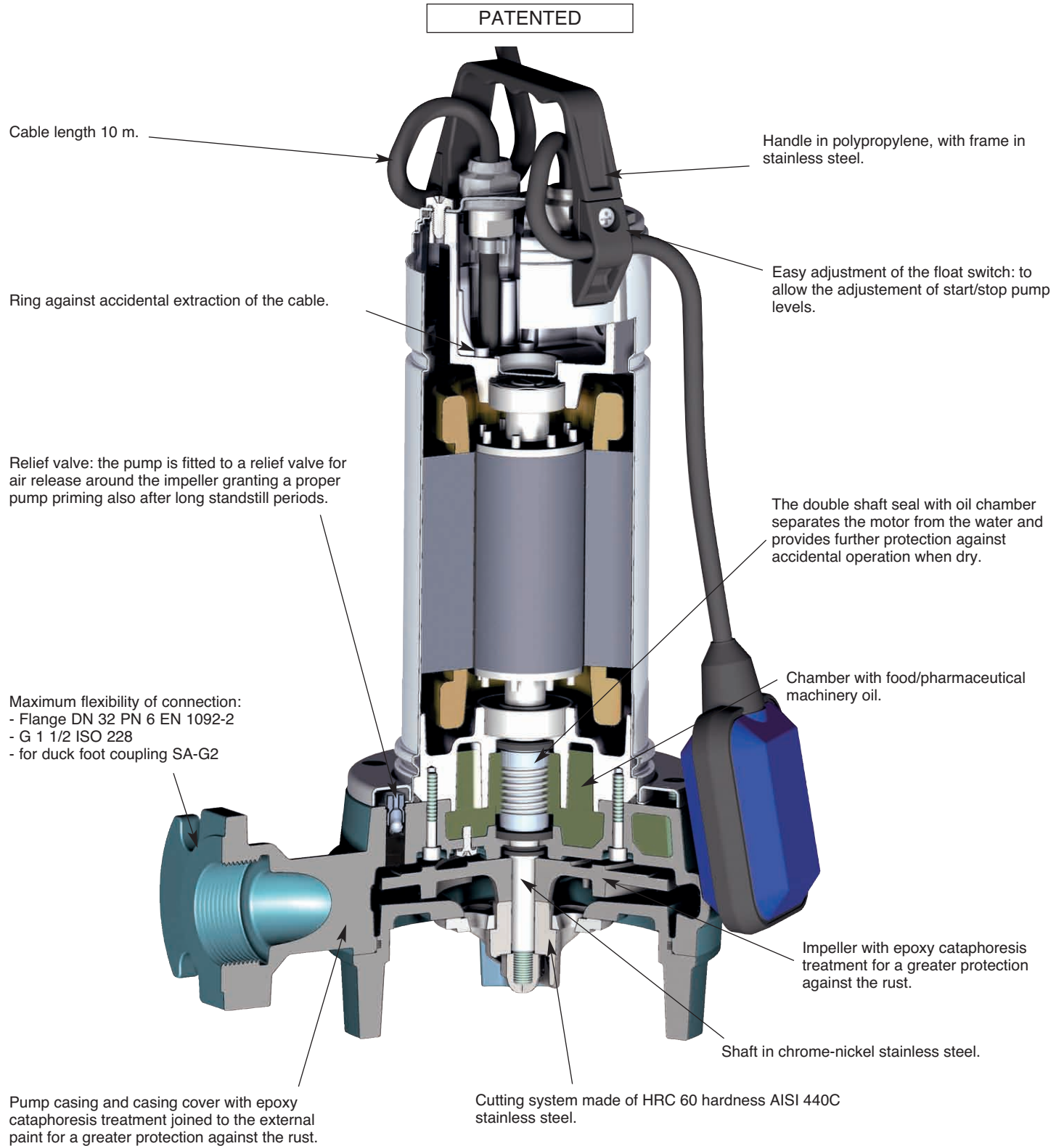
TYPE	kg	
	GQG	GQGM
GQG(M) 6-18	18,5	19,5
GQG(M) 6-21	18,7	19,7
GQG(M) 6-25	19	20



Installation example



Features



GM

Submersible Pumps



GMV

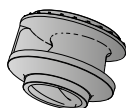
Submersible pumps with vortex impeller in cast iron EN-GJL-250

pag. 264

GMVS

Submersible pumps with vortex impeller in cast iron with polyurethane coating

pag. 271

GMC

Submersible pumps with single channel impeller in cast iron EN-GJL-250

pag. 273

GMN

Submersible pumps with channels impeller in cast iron EN-GJL-250

pag. 282

GMG

Submersible pumps with grinder in cast iron EN-GJL-250

pag. 296

I-GMV

Submersible pumps with vortex impeller in stainless steel AISI316

pag. 300

I-GMC

Submersible pumps with single channel impeller in stainless steel AISI316

pag. 300

I-GMN

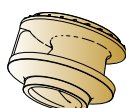
Submersible pumps with channels impeller in stainless steel AISI316

pag. 300

B-GMV

Submersible pumps with vortex impeller in Marine Bronze B10

pag. 311

B-GMC

Submersible pumps with single channel impeller in Marine Bronze B10

pag. 311

B-GMN

Submersible pumps with channels impeller in Marine Bronze B10

pag. 311

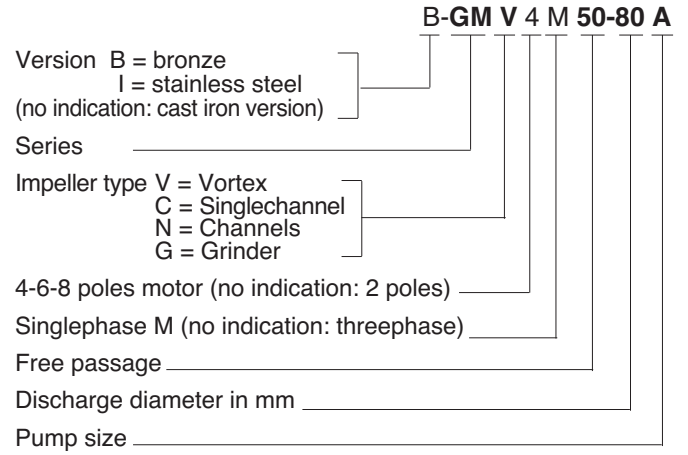
A new series of submersible pumps with high efficiency hydraulics designed to move slurry, sewage and industrial process fluids.

The range covers a wide field of use with head up to 75 m And flows up to 2300 m³/h, with a maximum solid passage up to 140 mm keeping the risk of blockage to a minimum.

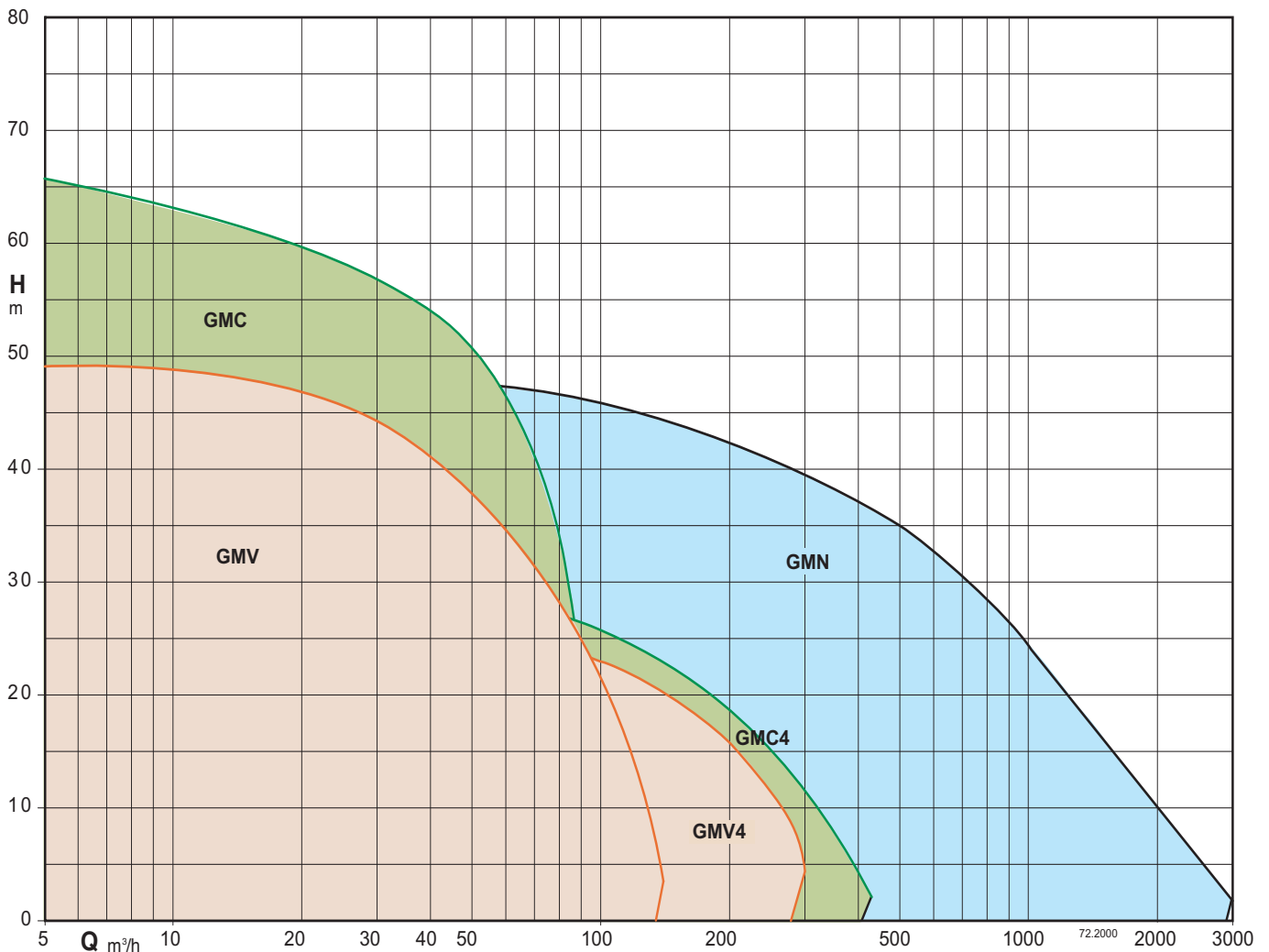
Dimensionally designed for heavy demand, even on critical applications.

Explosion proof version on request.

Pump designation



Coverage chart



Tolerances according to UNI EN ISO 9906:2012