

Indice - Contents - Inhaltsverzeichnis - Sommaire - Indice - Register

NM - NM4	1.01
NMS - NMS4	1.09
NMD	2.01
N - N4	3.01
NR - NRD	4.01
MXH	5.01
MXP	5.04
MXA	5.05
MGP	5.06
MXV	6.01
MXV-B	6.03
SPA	7.01
MPC	8.01
NMP	9.01
A	10.01
C	11.01
CT - T - TP	12.01
CA	13.01
NGC	14.01
NG	15.01
NGL - NGX	16.01
I - IR	17.01
VT	17.02
VAL	18.01
SC	19.01
GM	20.01
GX	21.01
GX ZERO	21.06
GQ	21.03
MP	22.01
MPS	22.02
MXS	22.03
MXSU-MPSU	22.06
SD-SDF-SDP	23.01
SDX	24.01
SDS	25.01
EIDOS E-MXP	26.01
EIDOS E-MXA	26.02
EIDOS E-NGX	26.03
EIDOS META	26.04
EIDOS E-MPS	26.06
EIDOS I-MPC	26.07

Nelle richieste di parti di ricambio precisare: quantità, denominazione, numero di posizione nel disegno in sezione, tipo di pompa e numero di matricola indicati in targa.

When ordering spare parts please specify: quantity, designation, position number of each spare part in accordance with cross section, pump type and serial number stamped on rating plate.

Bei eventueller Ersatzteile- bitte angeben: Stückzahl, Teile-Benennung und Teile-Nummer laut Schnittzeichnung, sowie Pumpentyp und Fabrik-Nummer auf dem Leistungsschild.

Sur demande de pièces de rechange, préciser: quantité, description, nombre de position dans le dessin en section, type de pompe et numéro de série de la plaque signalétique.

En los pedidos de piezas de recambios precisar: cantidad, número de posición en el diseño seccionado, tipo de bomba y el número de serie de la placa de características.

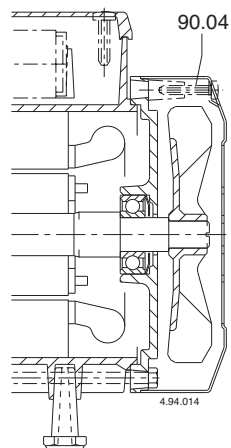
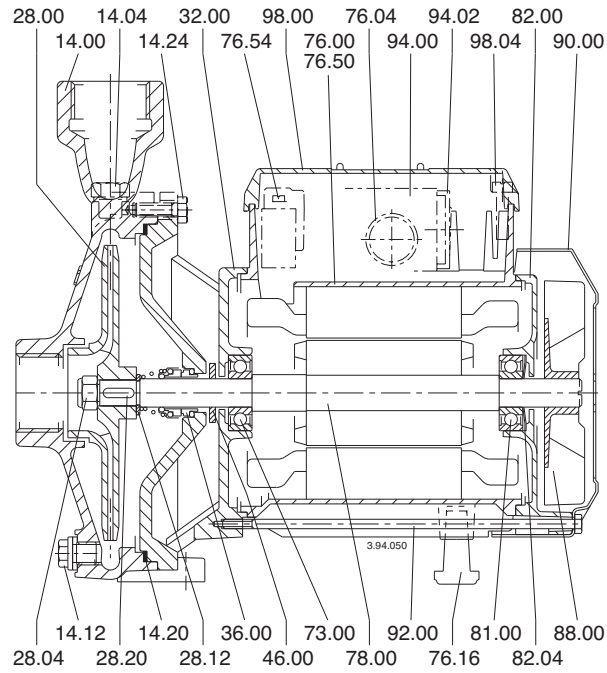
Vid beställning av reservdelar ange: antal, benämning, positions-nummer, pumptyp samt nummer på reservdelsritningen.

NM 1..
 NM 2..
 NM 6..
 NM 25/12..

Service kit

- Pos
- 14.20
- 28.00
- 28.04
- 28.12*
- 28.20
- 36.00
- 36.50*
- 73.00
- 81.00

*Quando presente
 When available



NM 2..
 NM 6..
 NM 25/12..
 NM4 25/12..

Sezione - Cross section - Schnittzeichnung - Section - Sección - Sektion

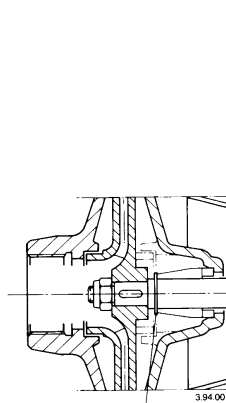
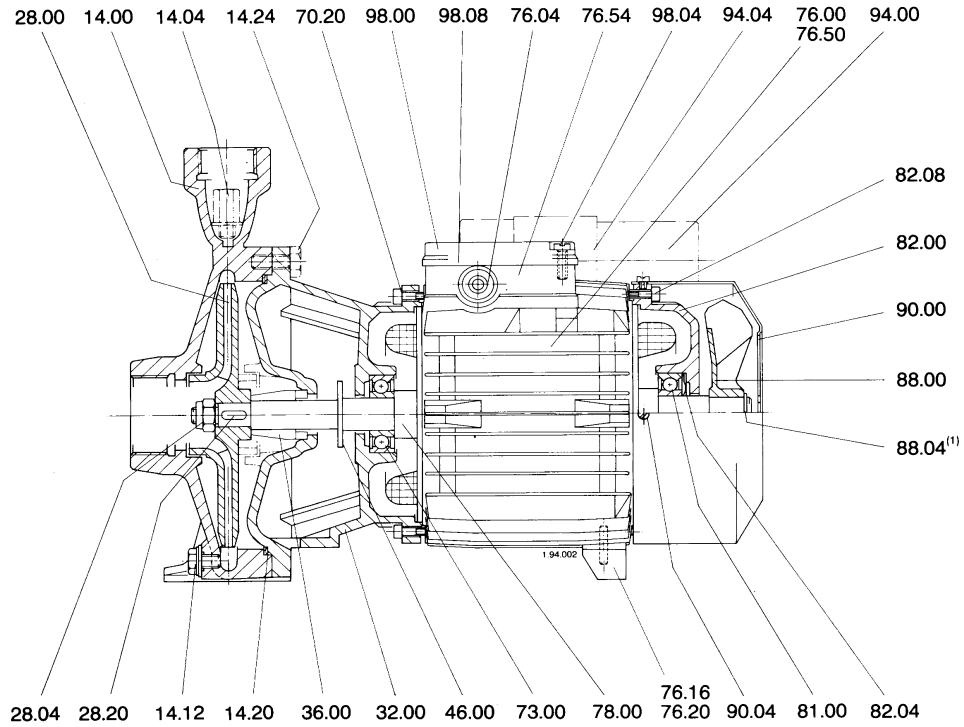
NM-NM4

NM 3..	NM 20/160..	NM4 25/160..	B-NM 17..	I-B-NM4 25/160..
NM 10..	NM 25/160..	NM4 25/200..	B-NM 20/160..	I-B-NM4 25/200..
NM 11..	NM 25/20..		B-NM 25/125..	
NM 12..			B-NM 25/160..	
NM 17..			I-B-NM 25/200..	

Service kit

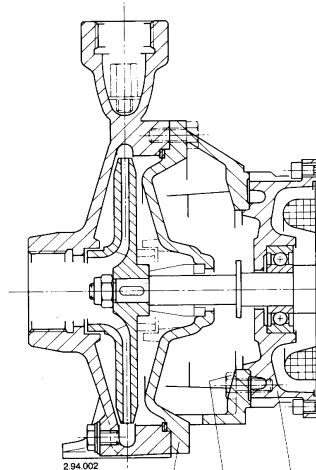
- Pos
- 14.20
- 28.00
- 28.04
- 28.12*
- 28.20
- 36.00
- 36.50*
- 73.00
- 81.00

*Quando presente
When available



36.50

- NM 10..
- NM 11..
- NM 12/DE
- NM 17/FE-GE-HE
- NM 25/20BE



32.00 70.18 70.00

- B-NM 20/160..
- B-NM 25/160..
- I-B-NM 25/200..
- I-B-NM4 25/200..

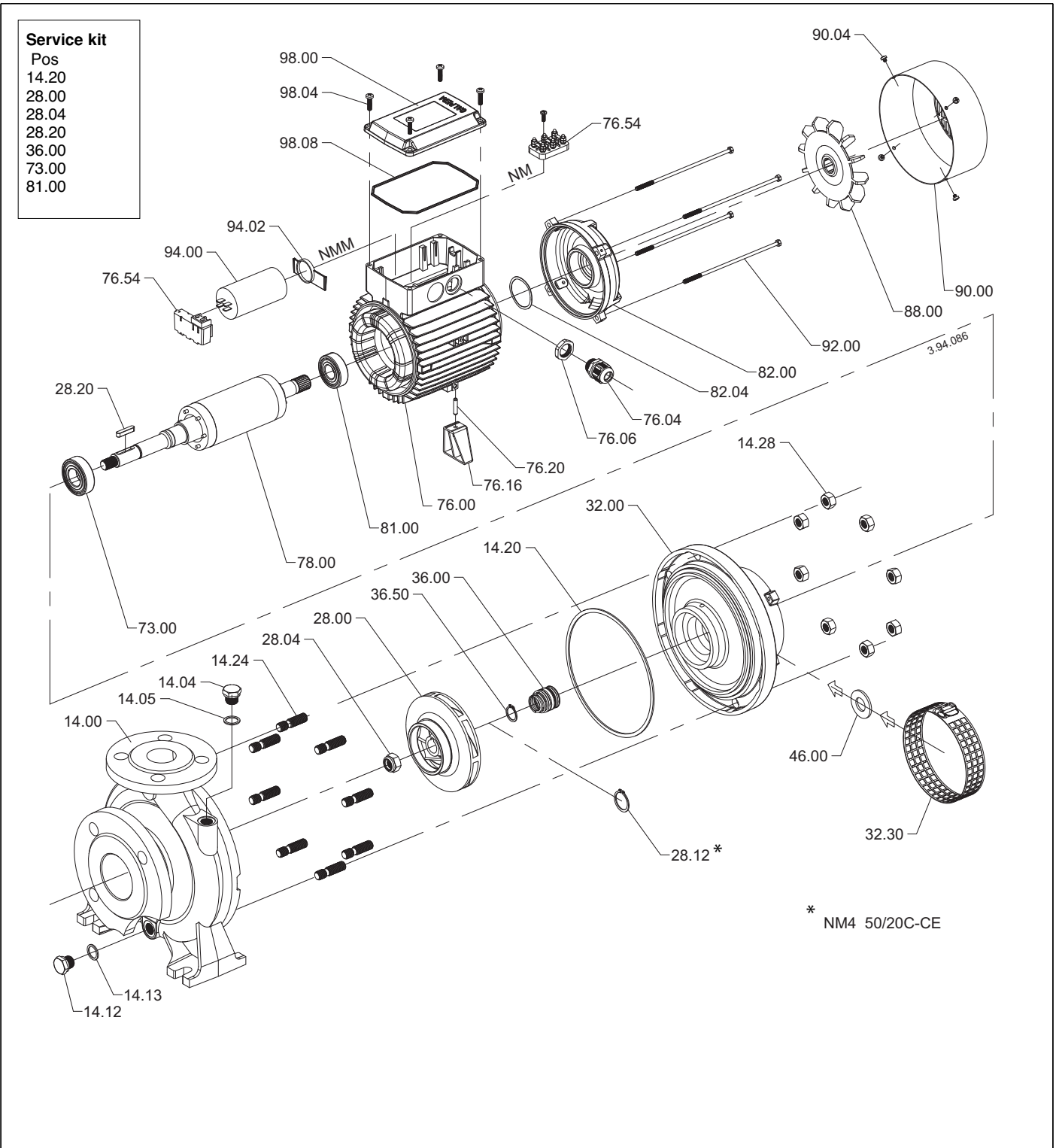
(1) Solo nei tipi
Only for types
Nur für Baugrößen
Seulement pour les types
Solo en los tipos
Endast type

- NM 12/AE-CE
- NM 17/DE
- NM 25/20SE-AE
- I-B-NM 25/200SE-AE

NM 32/12S-A-D-F
 NM 32/16A-C
 NM 32/20D
 NM 40/12A-C-F
 NM 40/16C
 NM 50/12F

NM4 32/16A-B
 NM4 32/20A-B
 NM4 40/16A-B-C
 NM4 40/20A-B
 NM4 50/16A-B
 NM4 50/20C

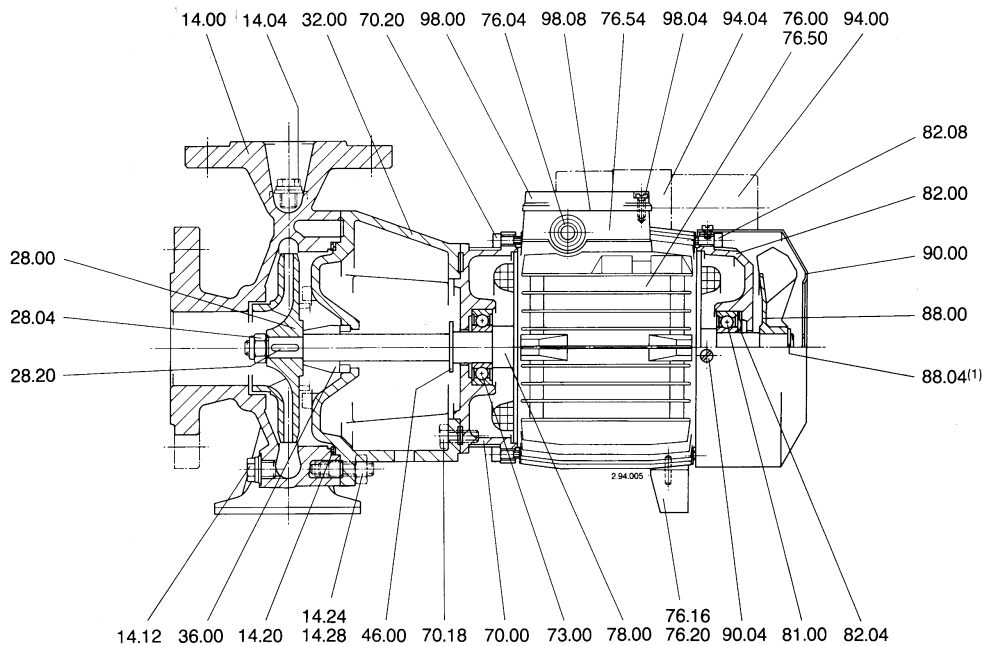
NM4 65/16B-C
 NM4 80/16C



B-NM 32/125S-A-D-F-SE-AE-DE-FE	B-NM 50/160A-B-AE-BE	B-NM4 32/160A-B-AE-BE	I-NM 32/200A-C-D-AE-CE-DE
B-NM 32/160A-B-AE-BE	B-NM 65/125A-C-AE-CE	B-NM4 32/200A-B-AE-BE	
B-NM 32/200A-C-D-AE-CE-DE	B-NM 65/160C-D-E-CE-DE-EE	B-NM4 40/160A-B-C-AE-BE-CE	I-NM4 32/200A-B-AE-BE
B-NM 40/125A-C-F-AE-CE-FE	B-NM 80/160DE-EE	B-NM4 40/200A-B-AE-BE	
B-NM 40/160A-B-C-AE-BE-CE		B-NM4 50/160A-B-AE-BE	
B-NM 40/200A-B-C-AE-BE-CE		B-NM4 65/160A-B-C-AE-BE-CE	
B-NM 50/125A-D-F-AE-DE-FE			

Service kit

- Pos
 14.20
 28.00
 28.04
 28.20
 36.00
 73.00
 81.00



⁽¹⁾ Non presente nei tipi
 Not existing for the types
 Entfällt bei den Typen
 Pas présent pour les types
 No presente en los tipos
 Ej för typ

- B-NM 32/125S-A-D-F-SE-AE-DE-FE
 B-NM 32/160A-B-AE-BE
 B-NM 32/200D-DE
 B-NM 40/125A-C-F-AE-CE-FE
 B-NM 40/160C-CE
 B-NM 50/125F-FE
 B-NM4 32/160A-B-AE-BE
 B-NM4 32/200A-B-AE-BE
 B-NM4 40/160A-B-C-AE-BE-CE
 B-NM4 40/200A-B-AE-BE
 B-NM4 50/160A-B-AE-BE
 I - NM 32/200D-DE
 I - NM4 32/200A-B-AE-BE

Ricambi consigliati

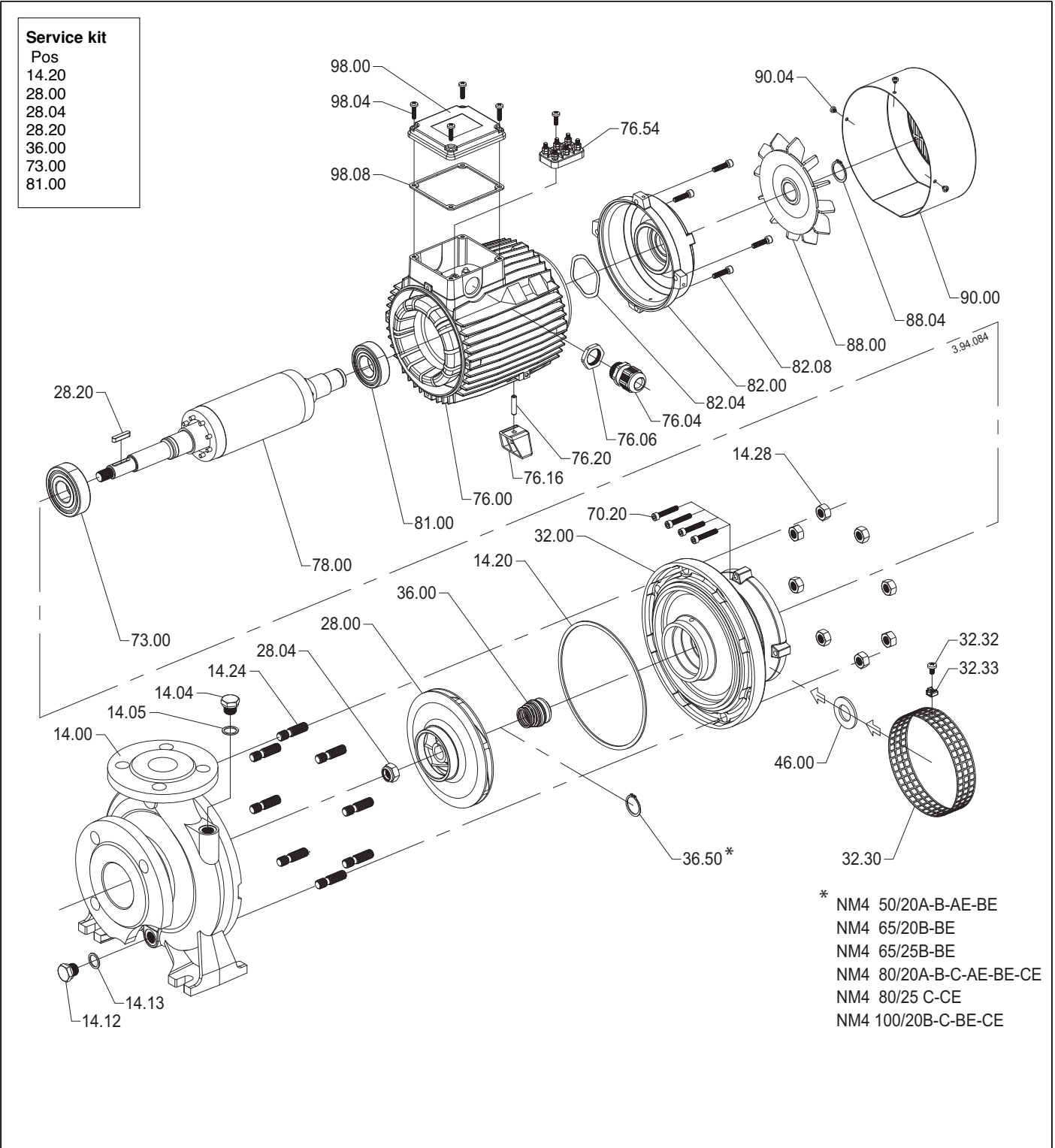
Pos	Descrizione
14.20	Guarnizione corpo pompa
28.00	Girante
28.04	Dado bloccaggio girante
28.20	Linguetta girante
36.00	Tenuta meccanica
73.00	Cuscinetto lato pompa
81.00	Cuscinetto lato ventola

NM 32/20A-C
 NM 40/16A-B
 NM 40/20A-AR-B-C
 NM 40/25A-B-C
 NM 50/12S-A-D
 NM 50/16A-B
 NM 50/20S-A-B

NM 50/25S-A-B-C
 NM 65/12A-C-E
 NM 65/16A-B-C-D-E
 NM 65/20B-C
 NM 65/200AE
 NM 80/16A-B-C-D-E

NM4 40/25A-B-C
 NM4 50/20A-B
 NM4 50/25S-A-B-C
 NM4 65/16A
 NM4 65/20A-B
 NM4 65/25A-B
 NM4 65/31A-B-C

NM4 80/16A-B
 NM4 80/20A-B-C
 NM4 80/25A-B-C
 NM4 80/31C
 NM4 100/20A-B-C
 NM4 100/25A-B
 NM4 125/25C-D-E



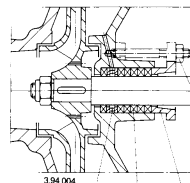
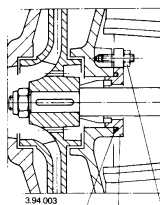
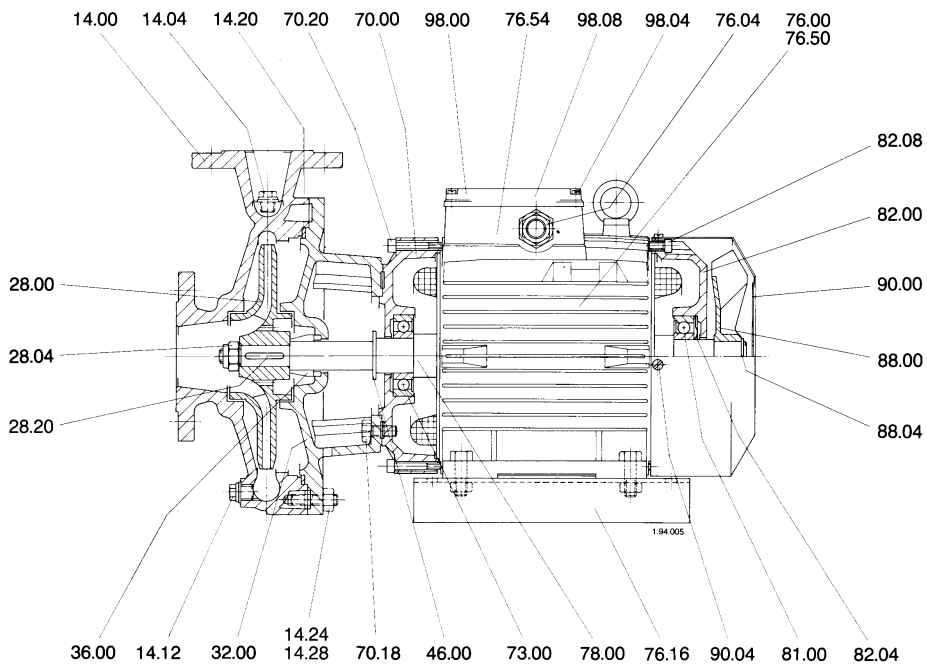
Sezione - Cross section - Schnittzeichnung - Section - Sección - Sektion

NM-NM4

NM 50M/C-D-E-CE-DE-EE	NM 40/250A-B-C-AE-BE-CE	B-NM 4025/A-B-C-AE-BE-CE	B-NM4 4025/A-B-C-AE-BE-CE	I-NM 4025/A-B-C-AE-BE-CE
NM 100/200E-EE	NM 50/200A-AE	B-NM 50/200A-B-AE-BE	B-NM4 5025/A-B-C-AE-BE-CE	I-NM 5025/A-B-C-AE-BE-CE
	NM 50/250A-B-C-AE-BE-CE	B-NM 5025/A-B-C-AE-BE-CE		I-NM 5025/65C-D-E-CE-DE-EE
	NM 50T/C-D-E-CE-DE-EE	B-NM 5025/65C-D-E-CE-DE-EE		
	NM 65/160A-B-AE-BE	B-NM 65/160A-B-AE-BE		I-NM4 4025/A-B-C-AE-BE-CE
	NM 65/200B-C-BE-CE	B-NM 65/200B-C-BE-CE		I-NM4 5025/A-B-C-AE-BE-CE
	NM 80/160A-B-C-AE-BE-CE	B-NM 80/160A-B-C-AE-BE-CE		
	NM 100/200E-EE			

Service kit

- Pos
 14.20
 28.00
 28.04
 28.20
 36.00
 73.00
 81.00



Versione tenuta a treccia
 Stuffing box construction
 Ausführung mit Packungsstopfbuchse
 Construction avec presse-toupe
 Versión con prensa-estopas
 Packbox utförande

42.04 42.00 32.04 32.05

44.04 38.00 44.00 32.04 32.05

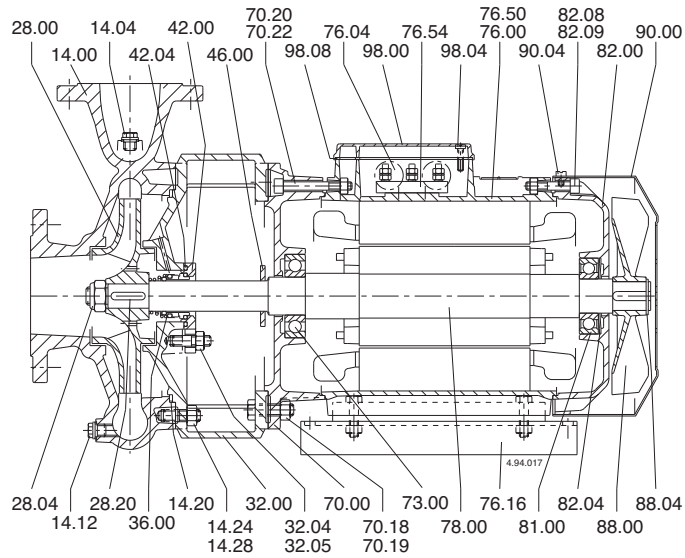
NM 50M/C-D-E-CE-DE-EE
 NM 100/200E-EE

NM 40/250A-B-C-AE-BE-CE
 NM 50/200A-AE
 NM 50/250A-B-C-AE-BE-CE
 NM 50T/C-D-E-CE-DE-EE
 NM 65/160A-B-AE-BE
 NM 65/200B-C-BE-CE
 NM 80/160A-B-C-AE-BE-CE
 NM 100/200E-EE

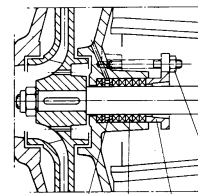
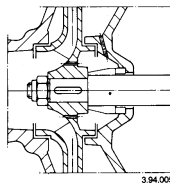
NM 65/200AE	NM4 80/315AE-BE	B-NM 65/200AE
NM 65/250CE	NM4 100/315BE-CE	B-NM 65/250CE
NM 80/200BE	NM4 125/250AE-BE	
NM 80/250EE		
NM 100/200DE		

Service kit

- Pos
- 14.20
- 28.00
- 28.04
- 28.20
- 36.00
- 73.00
- 81.00



Versione tenuta a treccia
 Stuffing box construction
 Ausführung mit Packungsstoppbuchse
 Construction avec presse-estopas
 Versión con prensa-estopas
 Packbox utförande



- 44.04
- 38.00
- 44.00
- 32.04
- 32.05

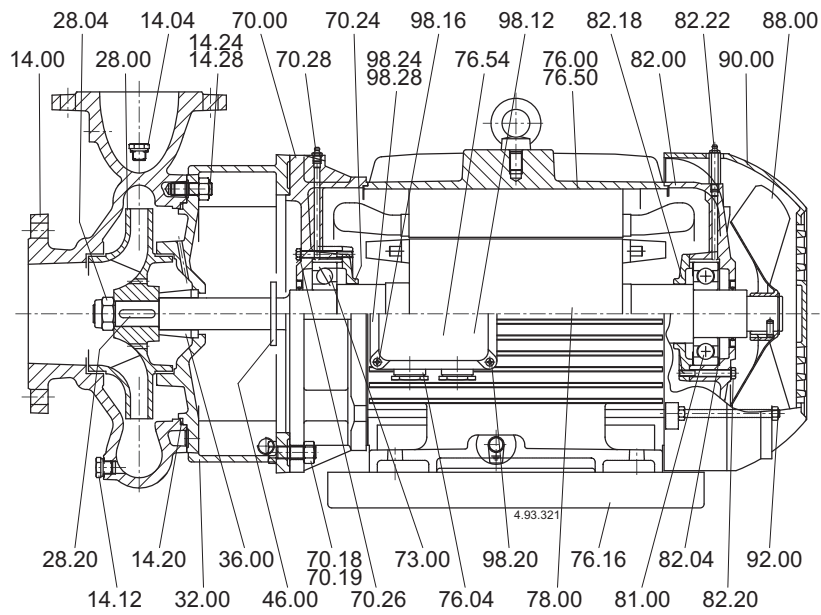
NM4 80/315AE-BE
 NM4 100/315BE-CE
 B-NM 65/200AE
 B-NM 65/250CE

NM 65/200AE
 NM 65/250CE
 NM 80/200BE
 NM 80/250EE
 NM 100/200DE

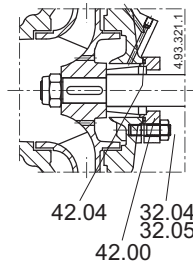
NM 65/250AE-BE	NM4 80/400AE-BE-CE	B-NM 65/250AE-BE
NM 80/200AE	NM4 100/315AE	
NM 80/250AE-BE-CE-DE	NM4 100/400AE-BE-CE	
NM 100/200AE-BE-CE	NM4 125/315AE-BE-CE	
NM 100/250AE-BE	NM4 125/400AE-BE-CE	
	NM4 150/315AE-BE-CE-DE	
	NM4 150/400AE-BE-CE	

Service kit

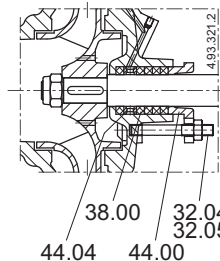
Pos
14.20
28.00
28.04
28.20
36.00
73.00
81.00



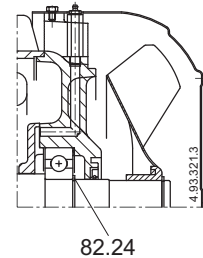
Versione tenuta a treccia
 Stuffing box construction
 Ausführung mit Packungsstoptbuchse
 Constructions avec presse-toupe
 Versión con prensa-estopas
 Packbox utförade



NM 65/250AE-BE
NM 80/200AE
NM 80/250AE-BE-CE-DE
NM 100/200AE-BE-CE
NM 100/250AE-BE

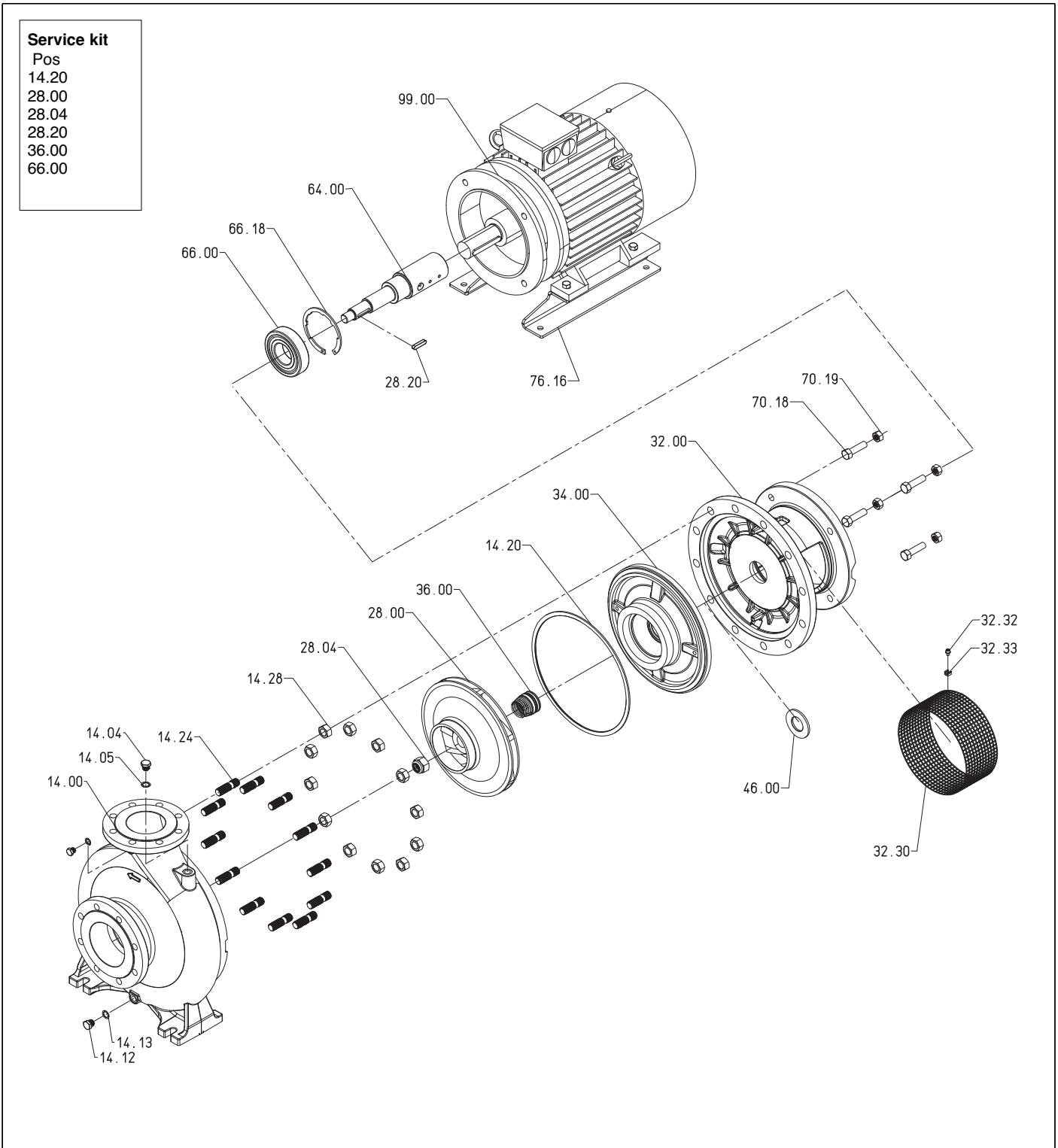


NM 65/250AE-BE
NM 80/200AE
NM 80/250AE-BE-CE-DE
NM 100/200AE-BE-CE
NM 100/250AE-BE



NM 100/200AE
NM4 150/400AE

NMS 65/250A	NMS4 80/400A-B-C	B-NMS 65/200A-B	B-NMS 100/250A-B	B-NMS4 125/400A-B-C
NMS 80/250A-B-C	NMS4 100/315A	B-NMS 65/250A-B	B-NMS4 80/315A-B	B-NMS4 150/315A-B
NMS 100/200A-B	NMS4 100/400A-B-C	B-NMS 80/200A-B	B-NMS4 80/400A-B-C	B-NMS4 150/315C-D
NMS 100/250A-B	NMS4 125/315A-B-C	B-NMS 80/250D-E	B-NMS4 100/315A-B-C	B-NMS4 150/400A-B-C
	NMS4 125/400A-B-C	B-NMS 80/250A-B-C	B-NMS4 100/400A-B-C	
	NMS4 150/315A-B-C-D	B-NMS 100/200A-B-C	B-NMS4 125/250A-B	
	NMS4 150/400A-B-C	B-NMS 100/200D-E	B-NMS4 125/315A-B-C	



NMD 20/110AE-ZE-BE
NMD 20/140AE-BE

B-NMD 20/110AE-ZE-BE
B-NMD 20/140AE-BE

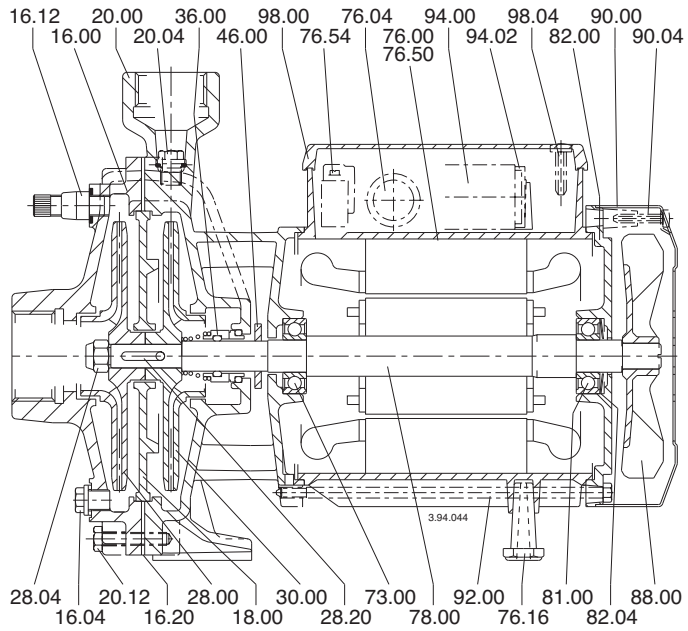
Service kit

Pos

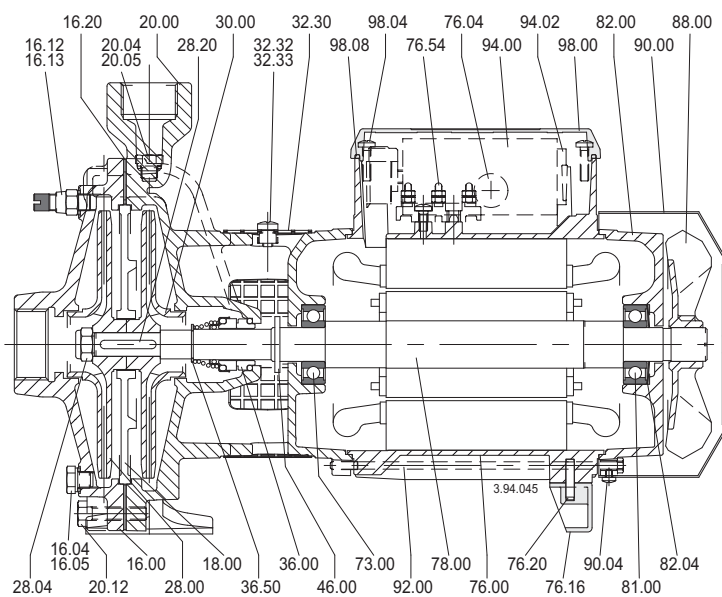
- 16.20
- 28.00
- 30.00
- 28.04
- 28.20
- 36.00
- 36.50*
- 36.54
- 73.00
- 81.00
- 94.00*

*Quando presente
When available

NMD 20/110AE-ZE-BE
B-NMD 20/110AE-ZE-BE



NMD 20/140AE-BE
B-NMD 20/140AE-BE



NMD 25/190A-B-C-AE-BE-CE

B-NMD 25/190A-B-C-AE-BE-CE

I-NMD 20/140A-B-AE-BE

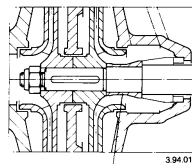
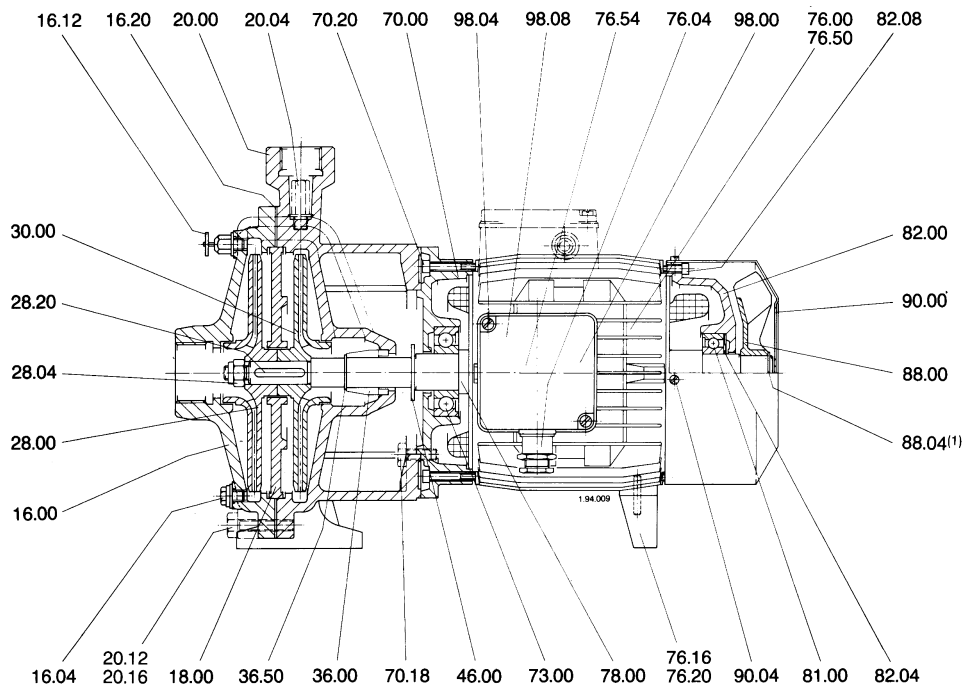
I-NMD 25/190A-B-C-AE-BE-CE

Service kit

Pos

- 16.20
- 28.00
- 30.00
- 28.04
- 28.20
- 36.00
- 36.50*
- 36.54
- 73.00
- 81.00
- 94.00*

*Quando presente
When available



36.54

⁽¹⁾ Solo nei tipi
Only for types
Nur für Baugrößen
Seulement pour les types
Solo en los tipos
Endast typ

I-NMD 20/140A-B-AE-BE
I-NMD 25/190A-B-C-AE-BE-CE

NMD 25/190A-B-AE-BE
B-NMD 25/190A-B-AE-BE
I-NMD 25/190A-B-AE-BE

NMD 32/210A-B-C-D
NMD 40/180A-B-C-D

B-NMD 32/210A-B-C-D
B-NMD 40/180A-B-C-D

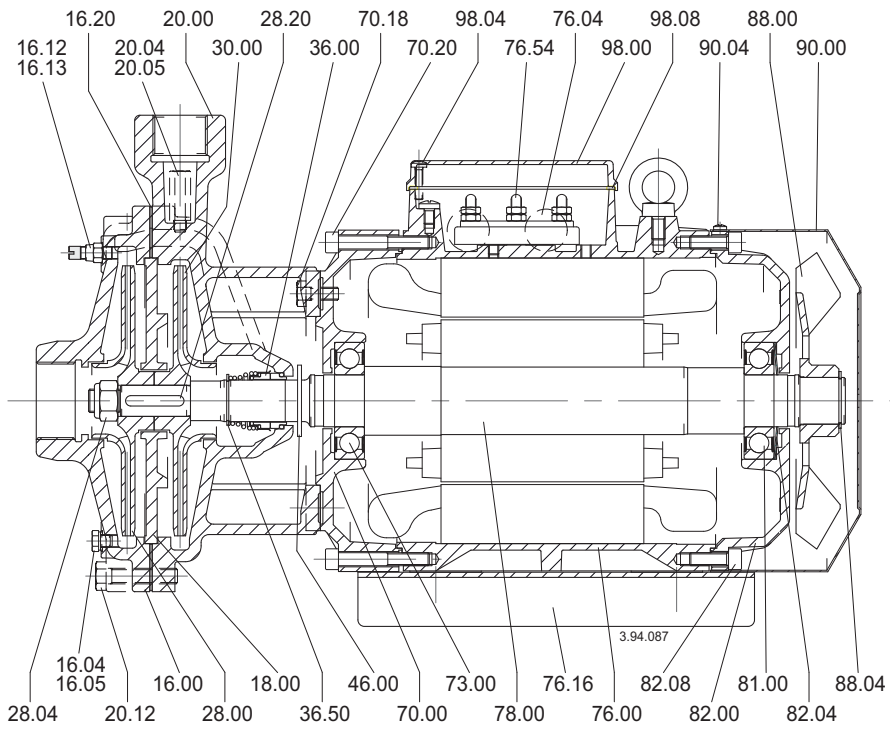
I-NMD 32/210A-B-C-D
I-NMD 40/180A-B-C-D

Service kit

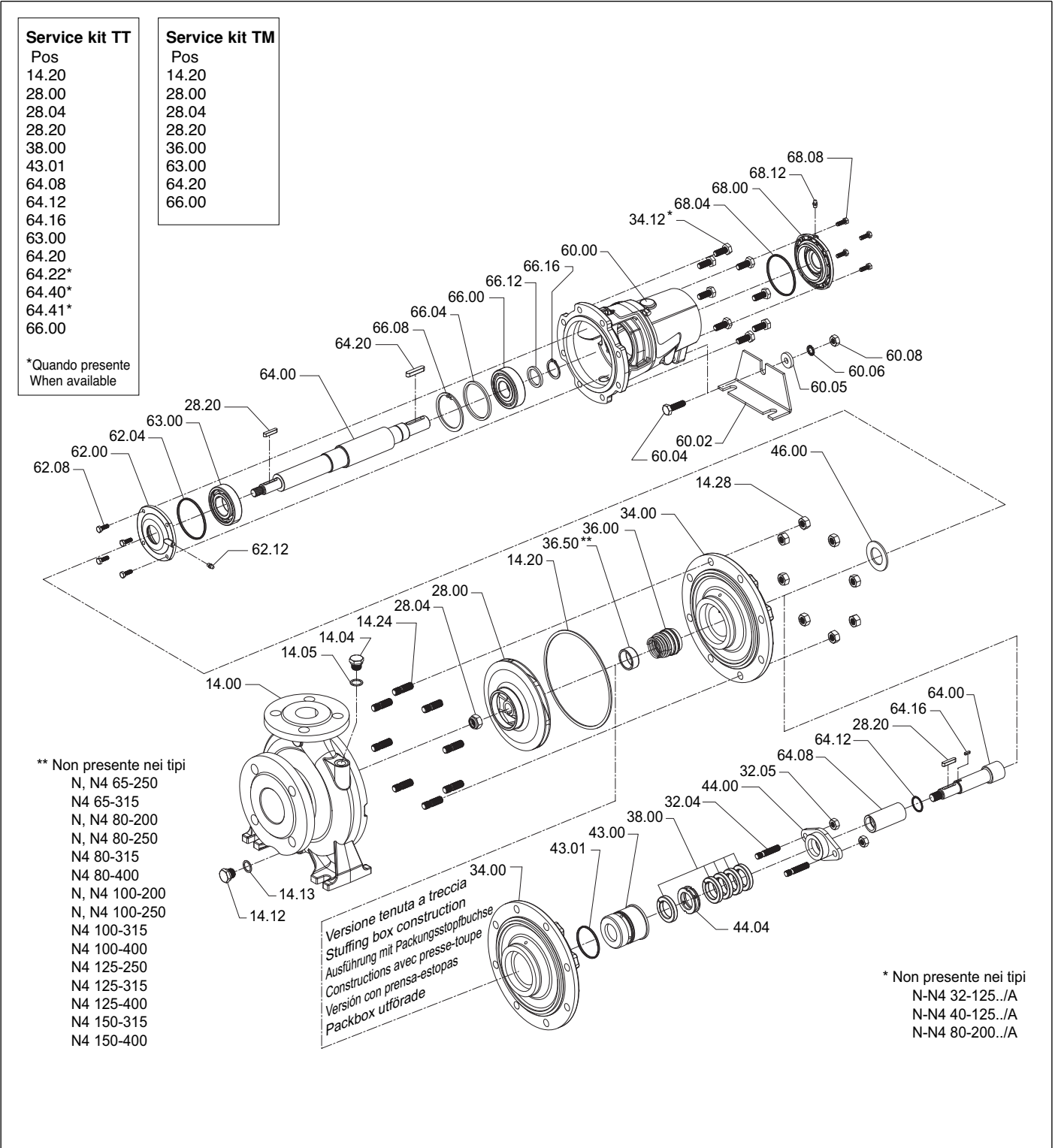
Pos

- 16.20
- 28.00
- 30.00
- 28.04
- 28.20
- 36.00
- 36.50*
- 36.54
- 73.00
- 81.00
- 94.00*

*Quando presente
When available



N,N4 32-125	N,N4 50-125	N,N4 65-250	N,N4 100-200	N4 150-400
N,N4 32-160	N,N4 50-160	N4 65-315	N,N4 100-250	
N,N4 32-200	N,N4 50-200	N,N4 80-160	N4 100-315	
N 40-125	N,N4 50-250	N,N4 80-200	N4 100-400	
N,N4 40-160	N,N4 65-125	N,N4 80-250	N4 125-315	
N,N4 40-200	N,N4 65-160	N4 80-315	N4 125-400	
N,N4 40-250	N,N4 65-200	N4 80-400	N4 150-315	

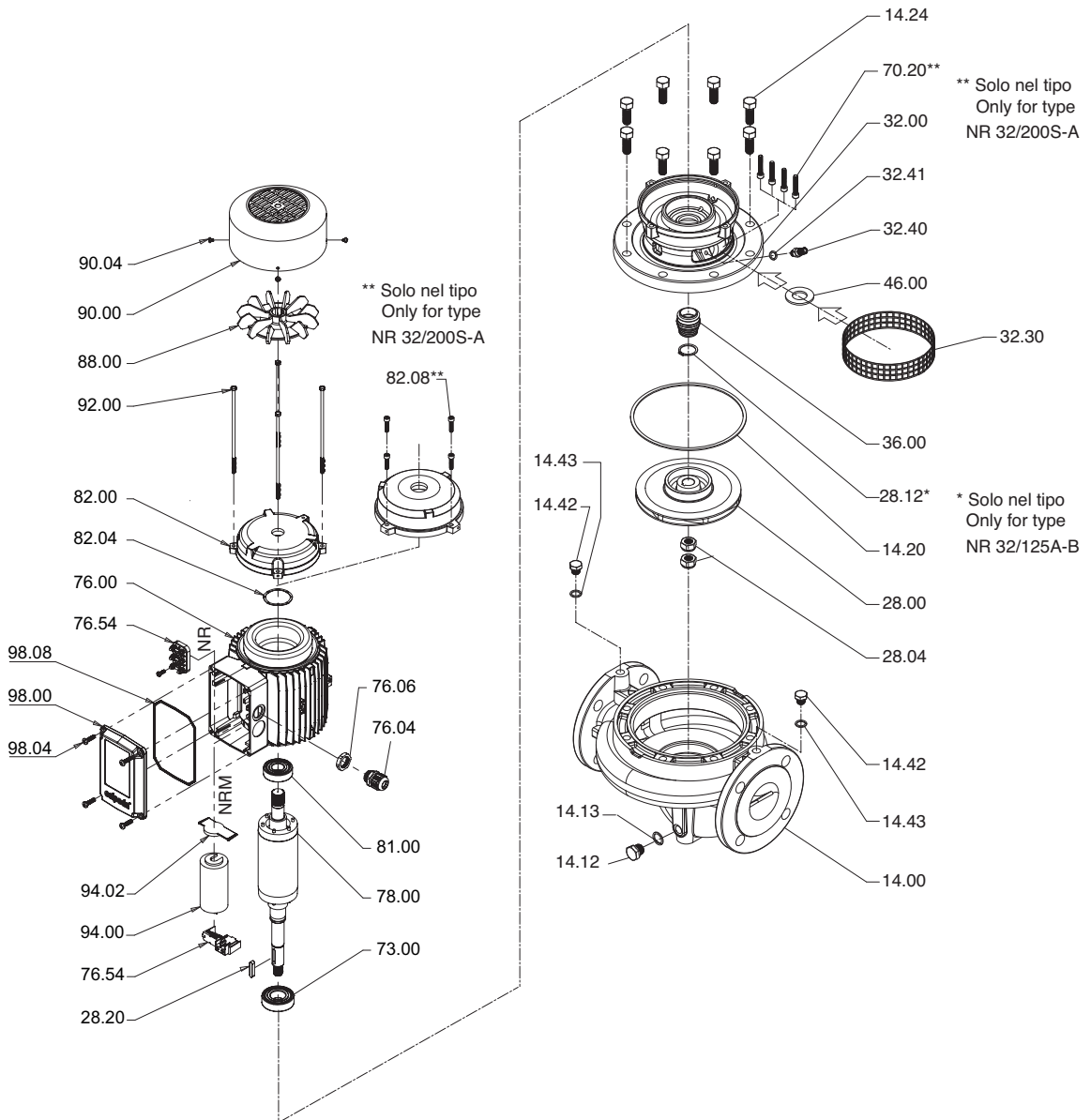


NR 32/125A-B
NR 32/160A-B
NR 32/200S-A-B

NR4 32/160A-B
NR4 32/200A-B-C

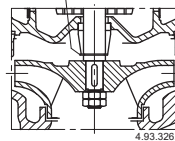
Service kit

- Pos
- 14.20
- 28.00
- 28.04
- 28.12*
- 28.20
- 36.00
- 36.50*
- 73.00
- 81.00



Solo nel tipo
Only for type
NR 32/200B*

36.50*

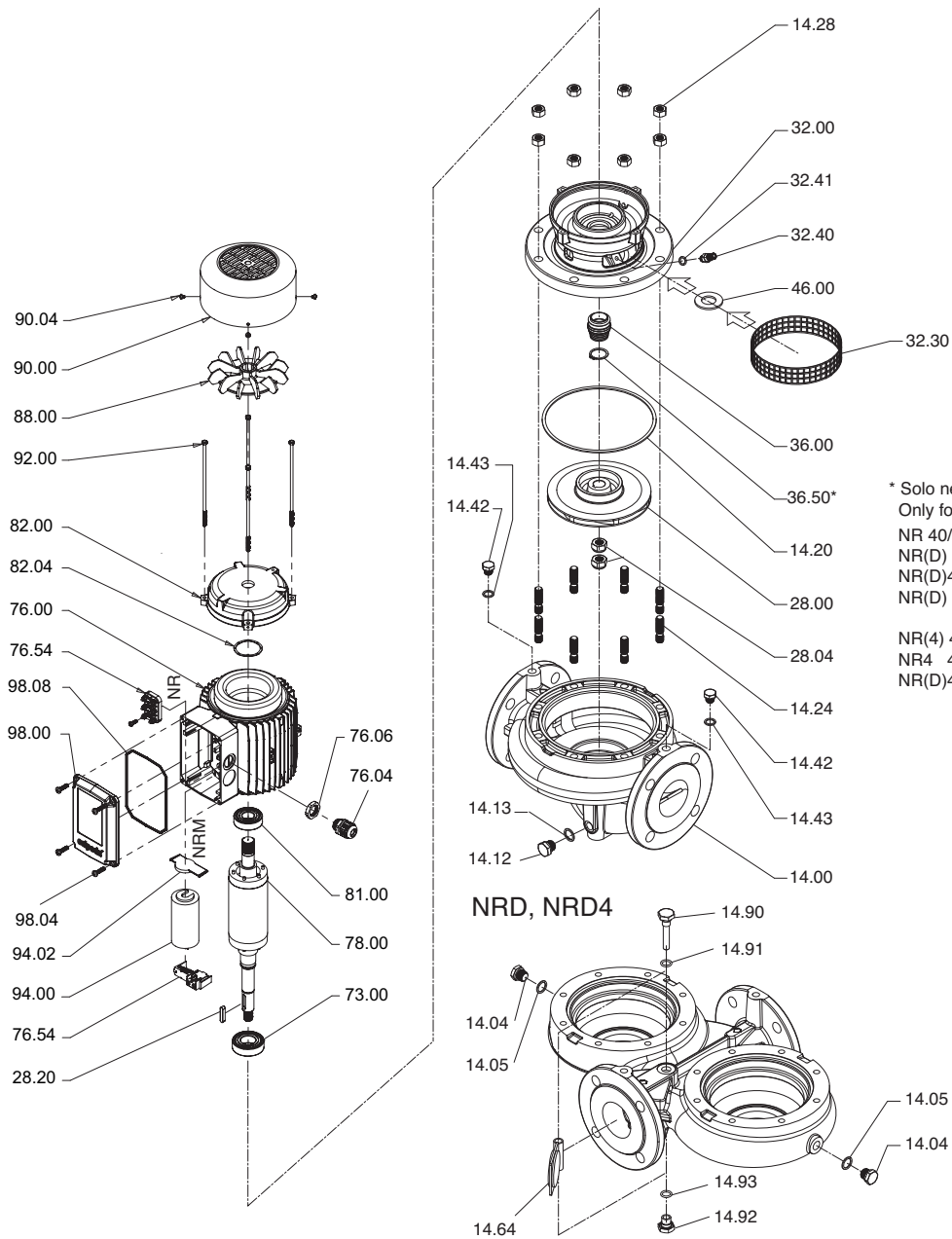


4.93.326.1

NR 50D-C	NR4 50A-B-C
NR 40/125A-B-C	NR4 65A-B-C
NR 40/160A-B	NR4 40/160A-B
NR, NRD 50/125A-C-F	NR4 40/200A-B
NR, NRD 50/160C	NR4, NRD4 50/160A-B-C
NR, NRD 65/125F	NR4, NRD4 65/125S-A-D-F

Service kit

- Pos
- 14.20
- 28.00
- 28.04
- 28.12*
- 28.20
- 36.00
- 36.50*
- 73.00
- 81.00



* Solo nel tipo
Only for type
NR 40/125A-B-C
NR(D) 50/125A-C-F
NR(D)4 50/160A-B
NR(D) 65/125F

NR(4) 40/160A-B
NR4 40/200A-B
NR(D)4 65/125S-A-D-F

NR 40/200A-B
NR, NRD 50/160A-B
NR 50/200A-B-D
NR 50/250A-B-C

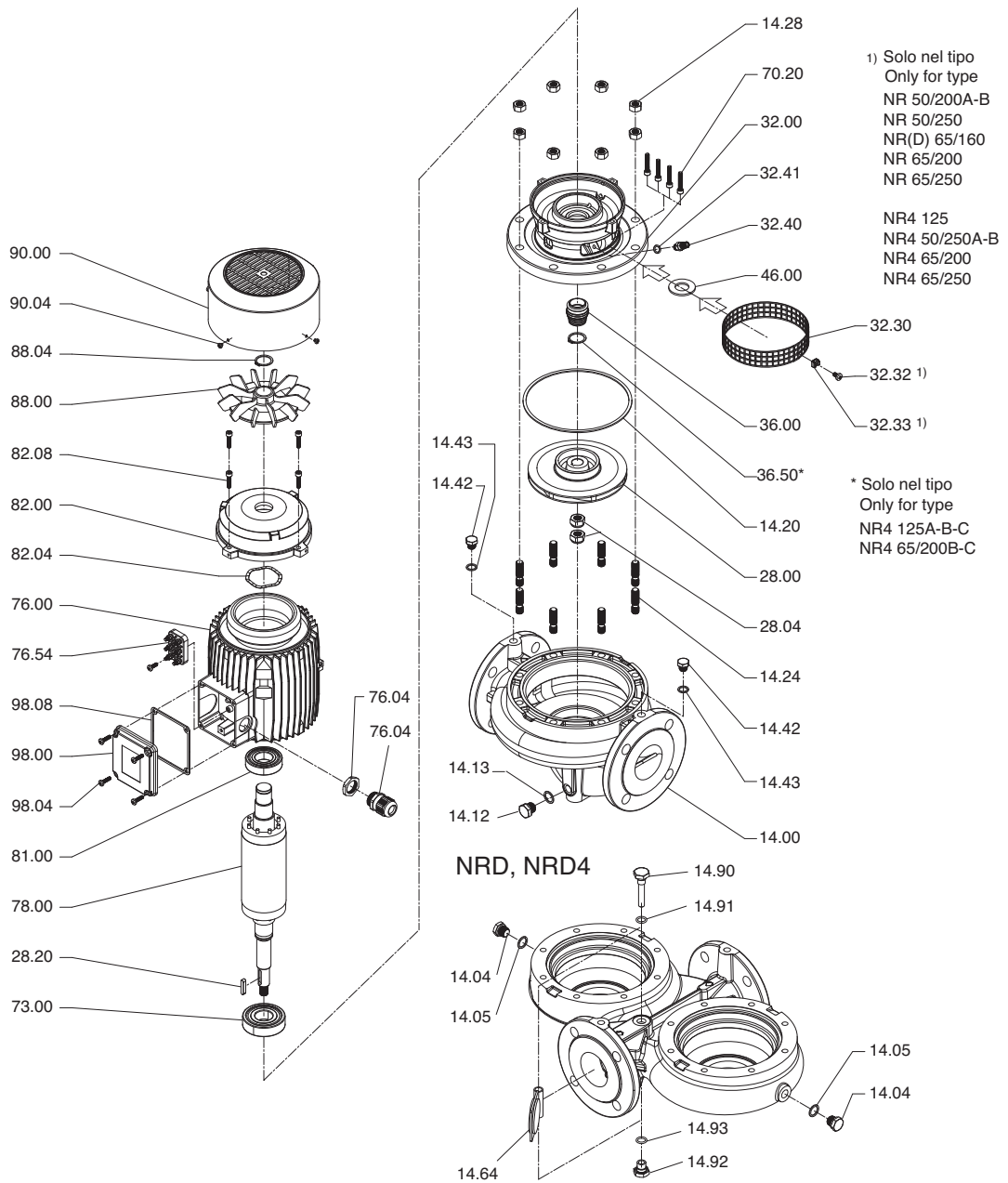
NR, NRD 65/125S-A-D
NR, NRD 65/160A-B
NR 65/200S-A-B
NR 65/250A-B-C

NR4 80A-B-C
NR4 100A-B-C
NR4 125A-B-C

NR4 50/200A-B
NR4 50/250A-B-C
NR4, NRD4 65/160A-B
NR4 65/200A-B-C
NR4 65/250S-A-B-C

Service kit

- Pos
- 14.20
- 28.00
- 28.04
- 28.12*
- 28.20
- 36.00
- 36.50*
- 73.00
- 81.00



Sezione - Cross section - Schnittzeichnung - Section - Sección - Sektion

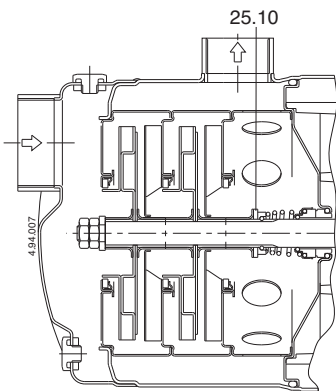
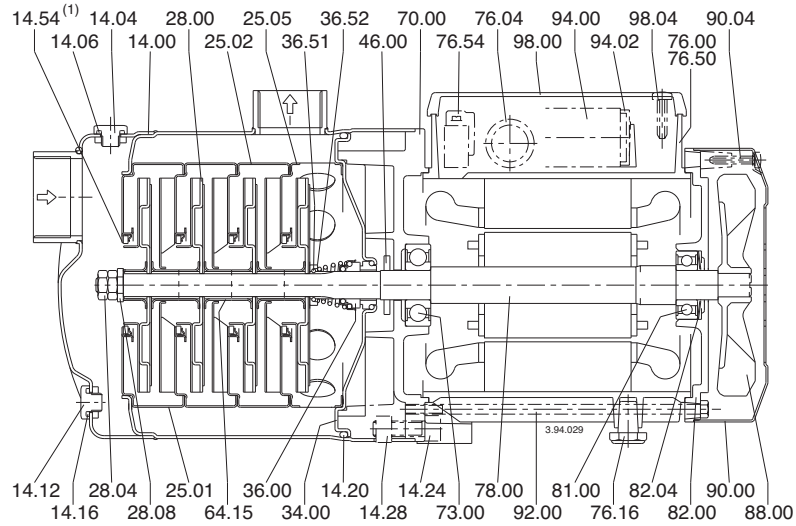
MXH

MXH 202E	MXH 402E	MXH 202-60E	MXH 802
MXH 203E	MXH 403E	MXH 203-60E	
MXH 204E	MXH 404E	MXH 402-60E	
MXH 205E	MXH 405E	MXH 403-60E	
MXH 206E			

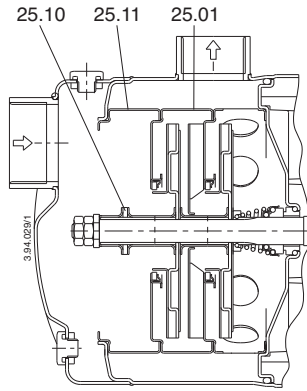
Service kit

Pos	Qtà
14.06	1
14.16	1
14.20	1
16.17	2
28.04	1
36.00	1
36.51*	1
73.00	1
81.00	1
94.00	1

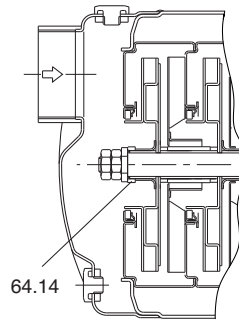
*Quando presente
When available



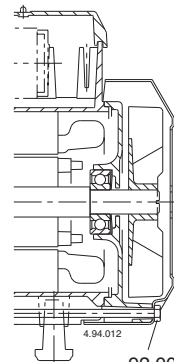
MXH 802



MXH 202E
MXH 402E
MXH 202-60E
MXH 402-60E



MXH 206E



MXH 202E
MXH 203E
MXH 402E

(1) Inserito nel corpo stadio
Inserted in the stage casing
Im Stufengehäuse eingepreßt
Monté dans le corps étage
Insertado en el cuerpo elemento
Imonterad i mellanhuset

Sezione - Cross section - Schnittzeichnung - Section - Sección - Sektion

MXH

MXHM 206	MXH 803	MXH 1602	MXHM 403-60E	MXH 1602-60E
MXHM 405	MXH 804	MXH 1603	MXH 404-60E	MXH 1603-60E
MXH 406	MXH 805	MXH 1604	MXH 802-60E	
		MXH 1605	MXH 803-60E	
		MXH 1606	MXH 804-60E	

Service kit

Pos	Qtà	Pos	Qtà
14.06	1	36.00	1
14.16	1	36.51*	1
14.20	1	64.10°	1
16.17	2	73.00	1
25.03°	1	81.00	1
28.04	1	94.00	1

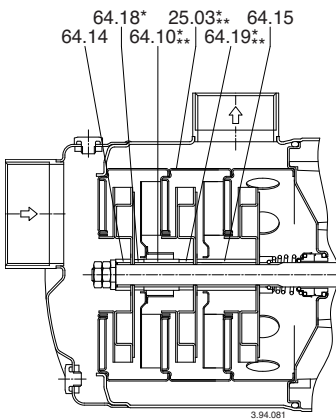
°solo MXH 805
only

*Quando presente
When available

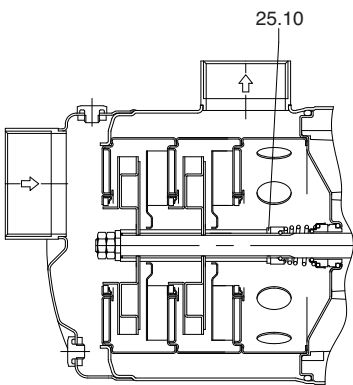
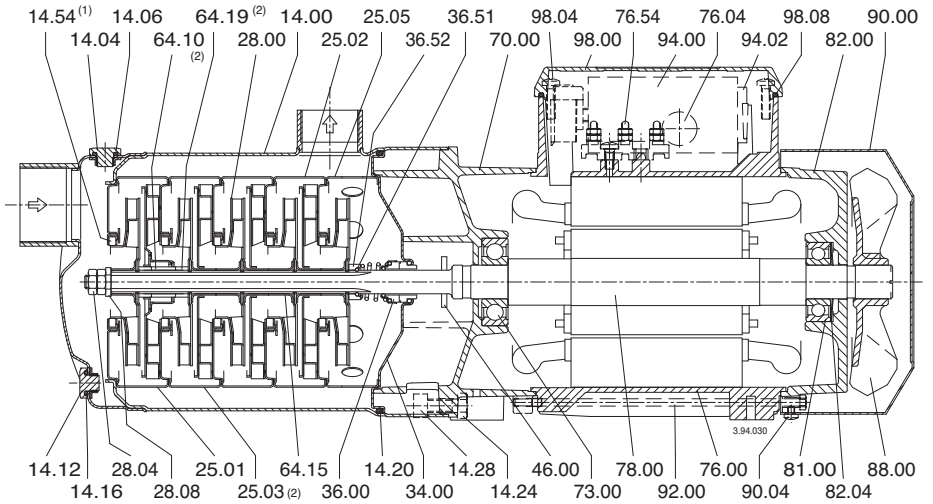
(1) Inserito nel corpo stadio
Inserted in the stage casing
Im Stufengehäuse eingepreßt
Monté dans le corps étage
Insertado en el cuerpo elemento
Imonterad i mellanhuset

(2) Solo nel tipo
Only for type
Nur für Baugröße
Seulement pour le type
Solo en el tipo
Endast typ

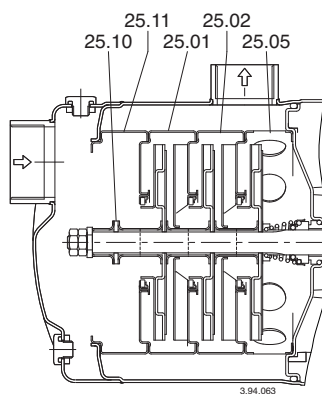
MXH 805



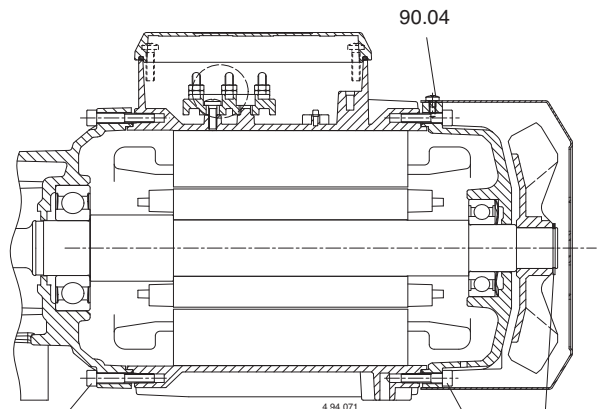
MXH 1603 * **MXH 1604**
MXH 1603-60 **MXH 1605**
**** MXHM 206** **MXH 1606**
MXH 406



MXH 1602
MXH 1602-60



MXHM 403-60



MXH 1604 **MXH 1603-60**
MXH 1605
MXH 1606

Sezione - Cross section - Schnittzeichnung - Section - Sección - Sektion

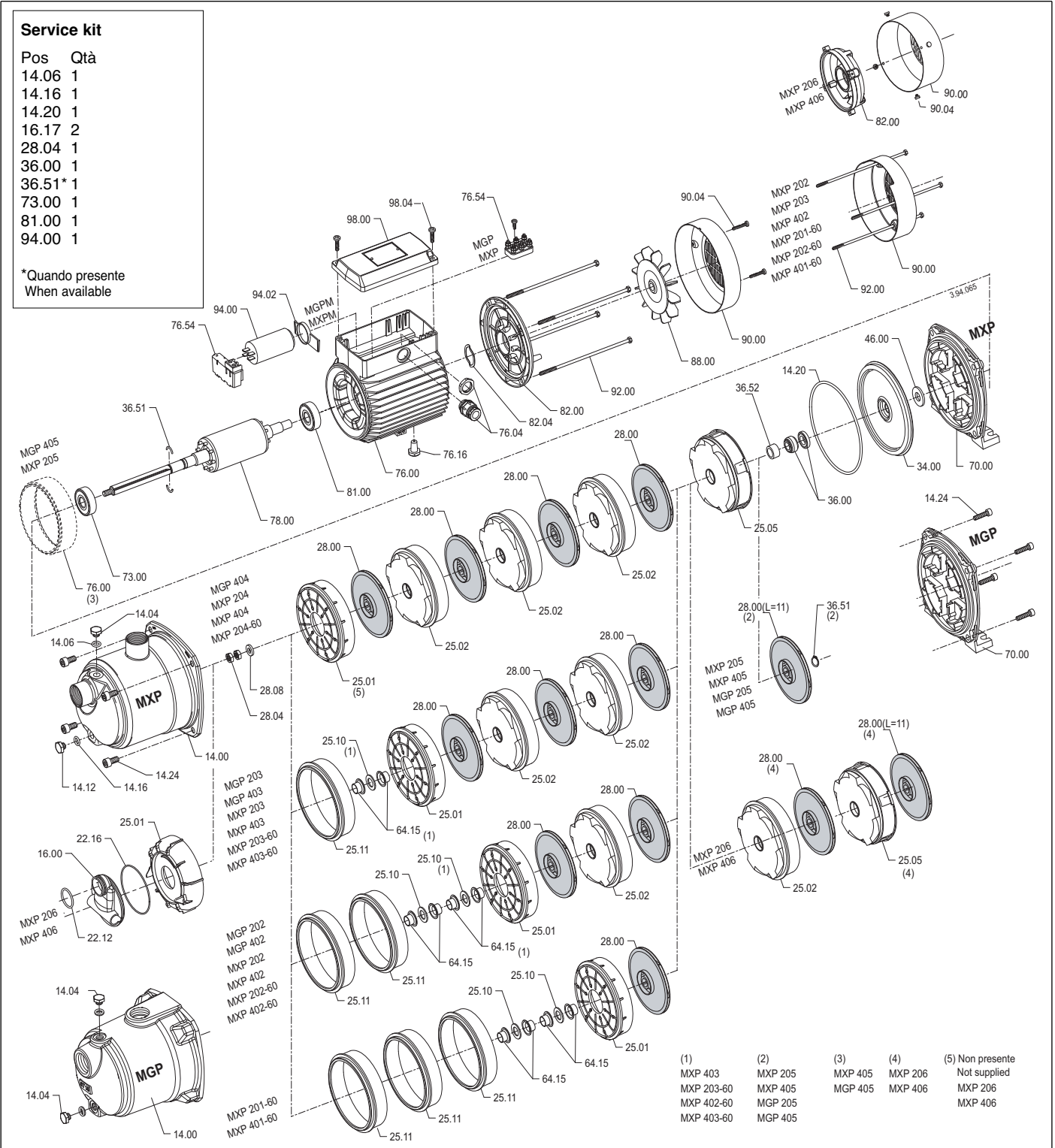
MGP

MGP 202	MGP 402
MGP 203	MGP 403
MGP 204	MGP 404
MGP 205	MGP 405

Service kit

Pos	Qtà
14.06	1
14.16	1
14.20	1
16.17	2
28.04	1
36.00	1
36.51*	1
73.00	1
81.00	1
94.00	1

*Quando presente
When available



(1)	(2)	(3)	(4)	(5) Non presente
MXP 403	MXP 205	MXP 405	MXP 206	Not supplied
MXP 203-60	MXP 405	MGP 405	MXP 406	MXP 206
MXP 402-60	MGP 205			MXP 406
MXP 403-60	MGP 405			

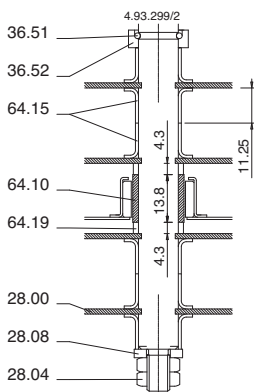
MXV 25-2..
 MXV 32-4..
 MXV 40-8..

Service kit

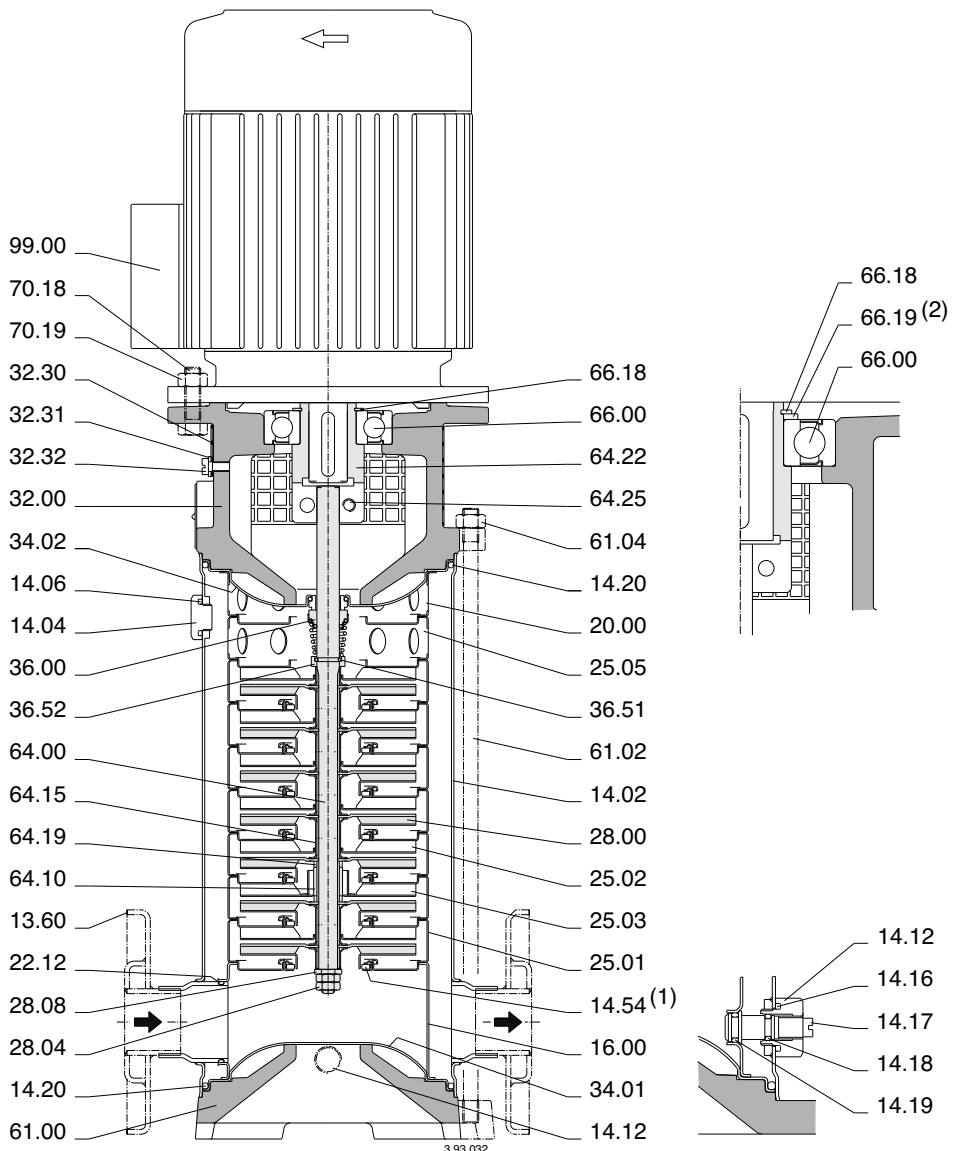
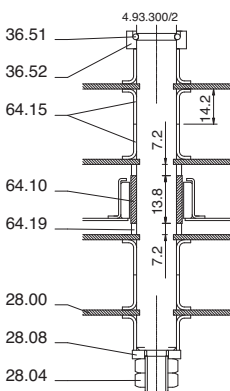
Pos	Qtà	Pos	Qtà
14.16	1	36.00	1
14.18	1	36.51	2
14.19	1	42.04	1
14.20	2	64.10	1*
14.48	1	66.00	1
22.12	1	66.18	1
25.03	1*		
34.09	2		

*1 con 1 supporto intermedio
 2 con 2 supporti intermedi
 3 con 3 supporti intermedi

**MXV-(B) 25..
 MXV-(B) 32..**



MXV-(B) 40..



(1) Inserito nel corpo stadio
 Inserted in the stage casing
 Im Stufengehäuse eingepreßt
 Monté dans le corps étage
 Insertado en el cuerpo elemento
 Imonterad i mellanhuset

(2) Solo con grandezza motore 132
 Only for motor size 132
 Nur mit Motor-Baugröße 132
 Seulement avec moteur 132
 Solo con dimensión del motor 132
 Endast för motorstorlek 132

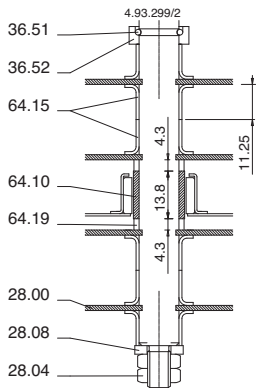
MXV 25-3..
 MXV 32-5..
 MXV 40-9..

Service kit

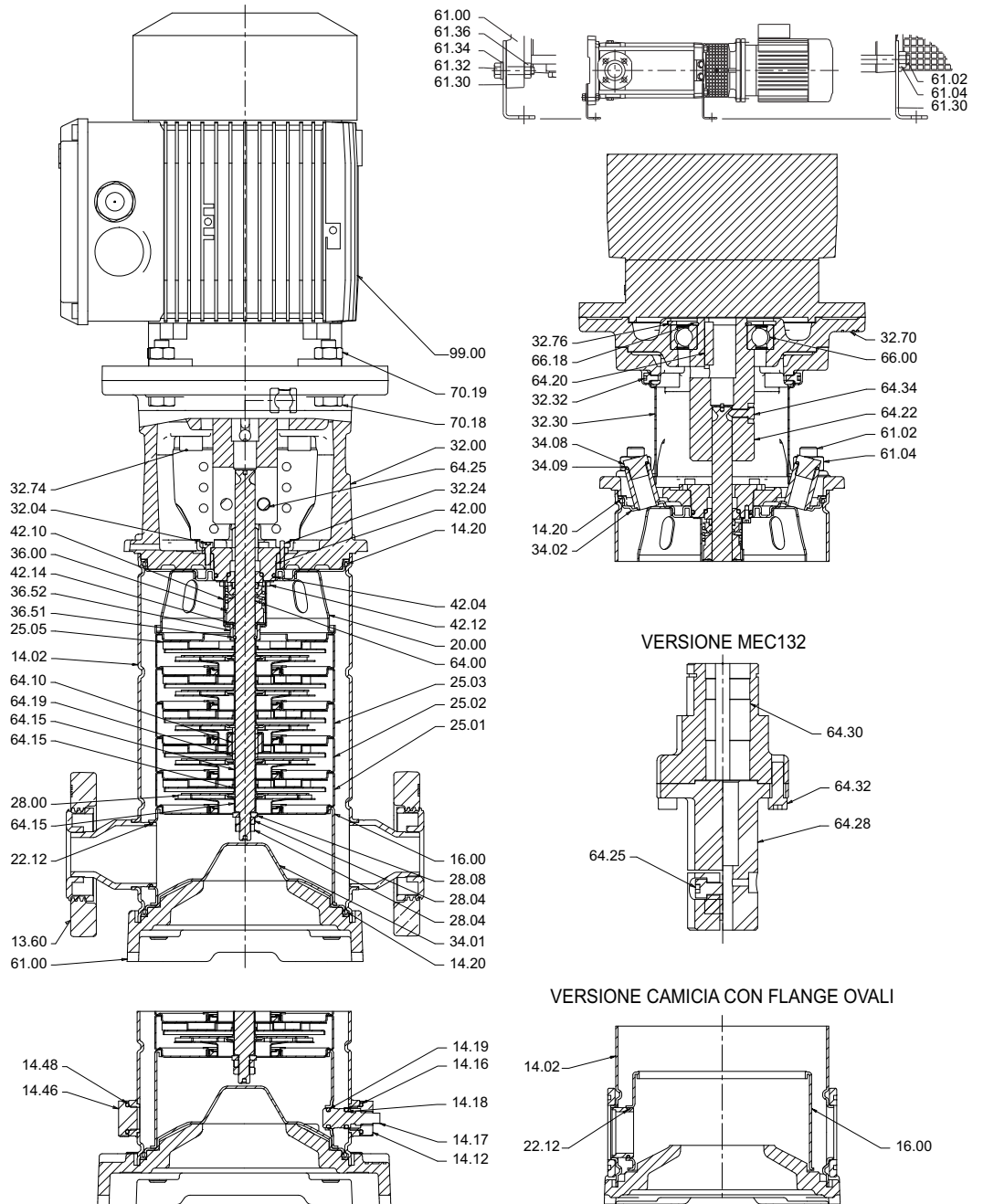
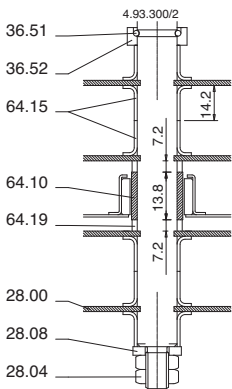
Pos	Qtà	Pos	Qtà
14.16	1	36.00	1
14.18	1	36.51	2
14.19	1	42.04	1
14.20	2	64.10	1*
14.48	1	66.00	1
22.12	1	66.18	1
25.03	1*		
34.09	2		

*1 con 1 supporto intermedio
 2 con 2 supporti intermedi
 3 con 3 supporti intermedi

**MXV-(B) 25..
 MXV-(B) 32..**



MXV-(B) 40..

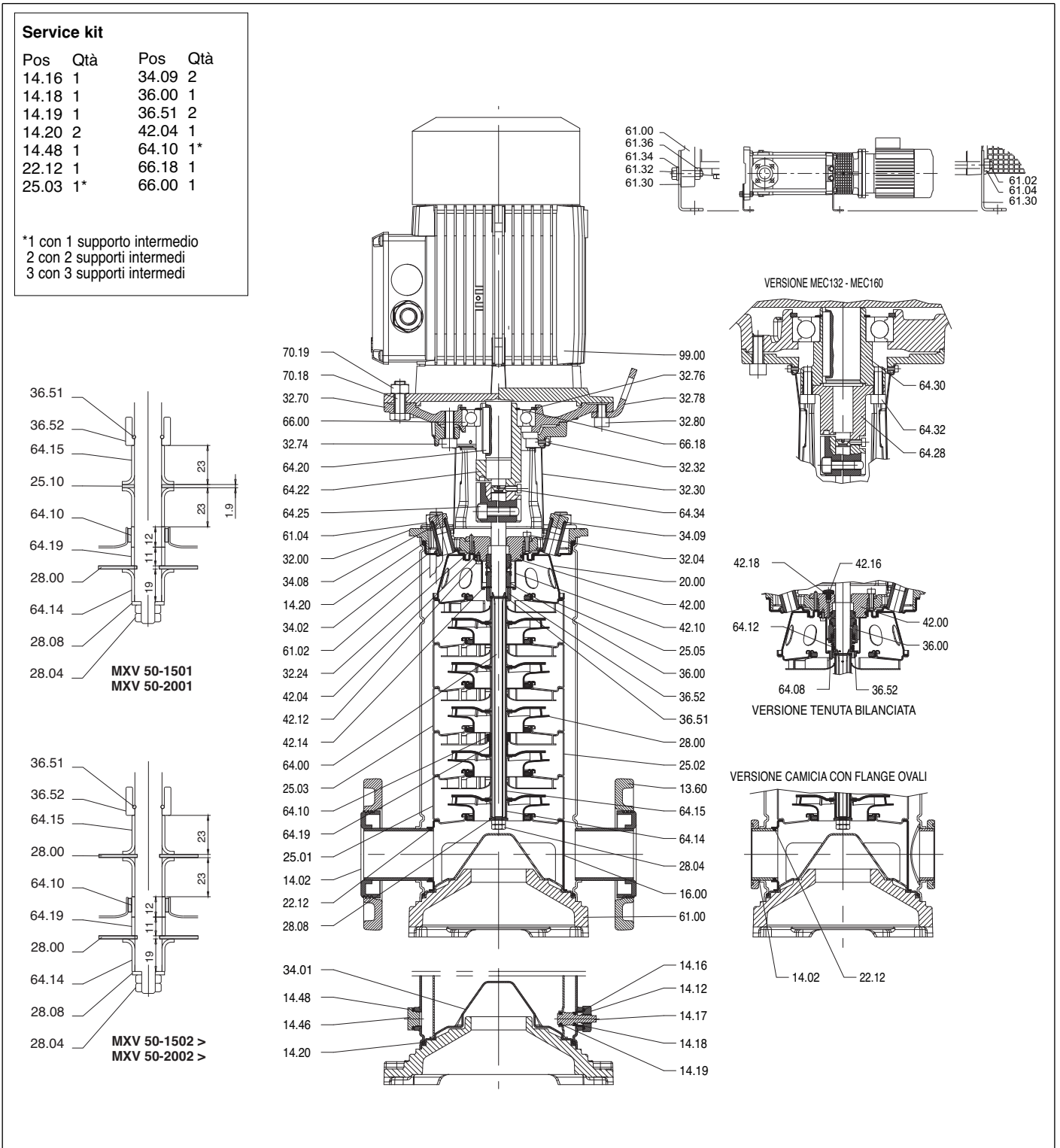


MXV 50-15..
MXV 50-20..

Service kit

Pos	Qtà	Pos	Qtà
14.16	1	34.09	2
14.18	1	36.00	1
14.19	1	36.51	2
14.20	2	42.04	1
14.48	1	64.10	1*
22.12	1	66.18	1
25.03	1*	66.00	1

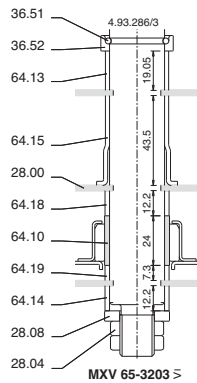
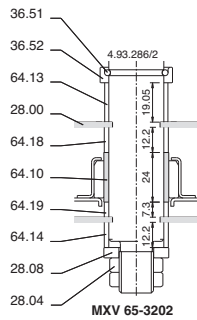
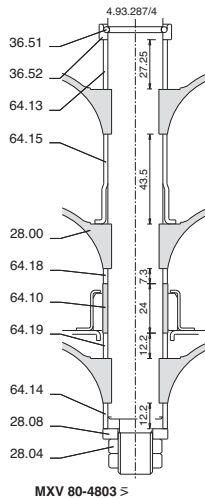
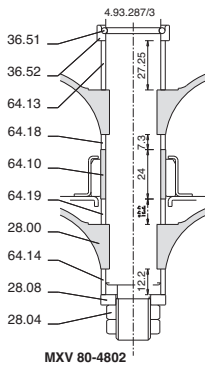
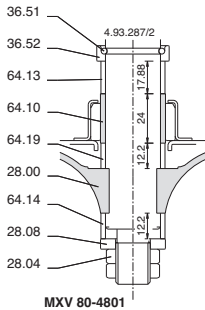
*1 con 1 supporto intermedio
2 con 2 supporti intermedi
3 con 3 supporti intermedi



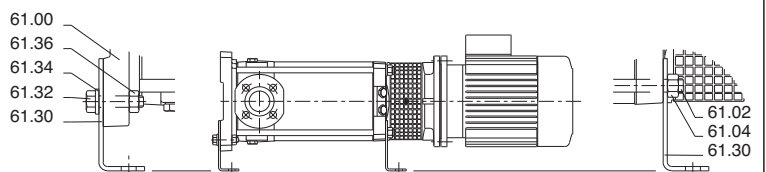
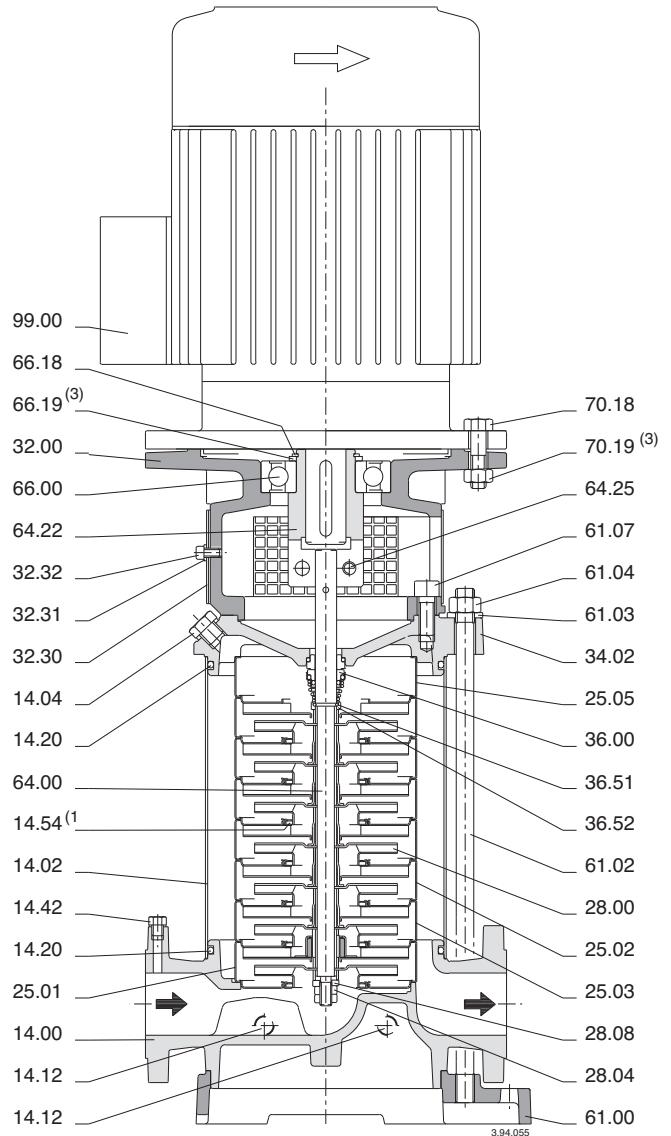
MXV 50-16..
 MXV 65-32..
 MXV 80-48..

Service kit			
Pos	Qtà	Pos	Qtà
14.16	1	34.09	2
14.18	1	36.00	1
14.19	1	36.51	2
14.20	2	42.04	1
14.48	1	64.10	1*
22.12	1	66.18	1
25.03	1*	66.00	1

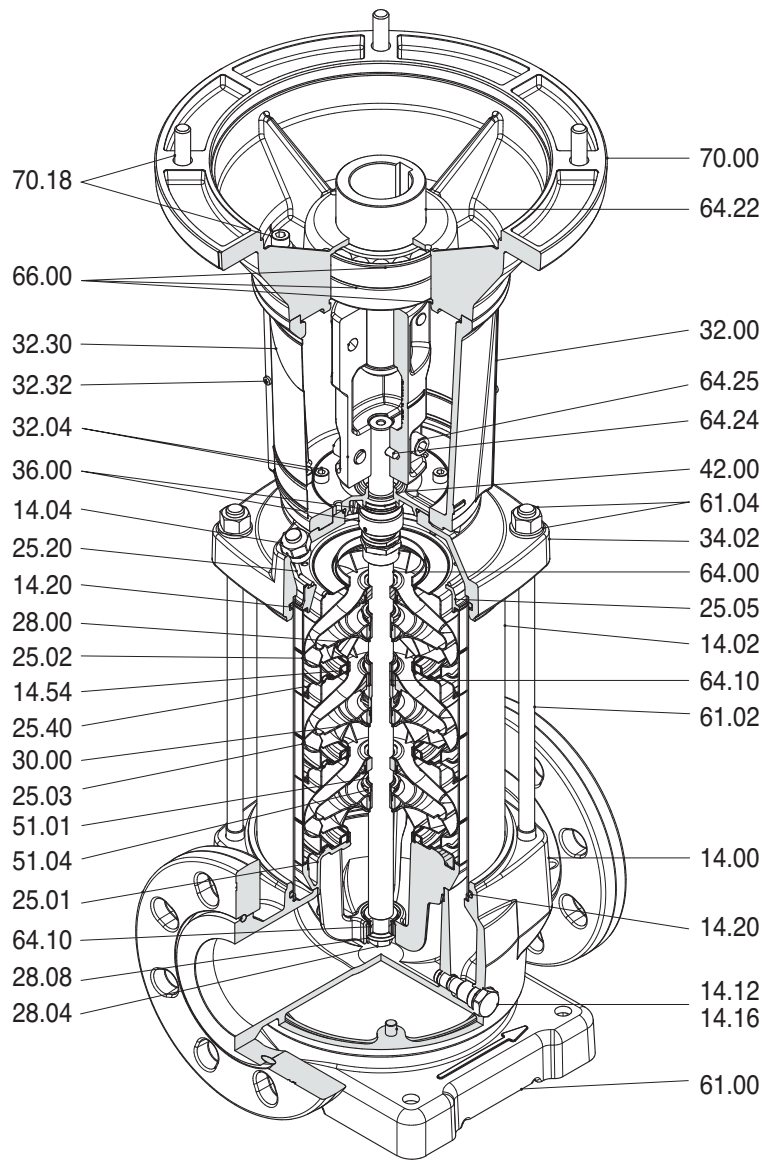
*1 con 1 supporto intermedio
 2 con 2 supporti intermedi
 3 con 3 supporti intermedi



- (1) Inserito nel corpo stadio
 Inserted in the stage casing
 Im Stufengehäuse eingepreßt
 Monté dans le corps étage
 Insertado en el cuerpo elemento
 Imonerad i mellanhuset
- (2) Non presente nei motori 100-112
 Not installed in motors 100-112
 Nicht bei Motoren 100-112
 Non present avec moteur 100-112
 No presente en los motores 100-112
 Ej installerad i motorerna 100-112



MXV 100-...

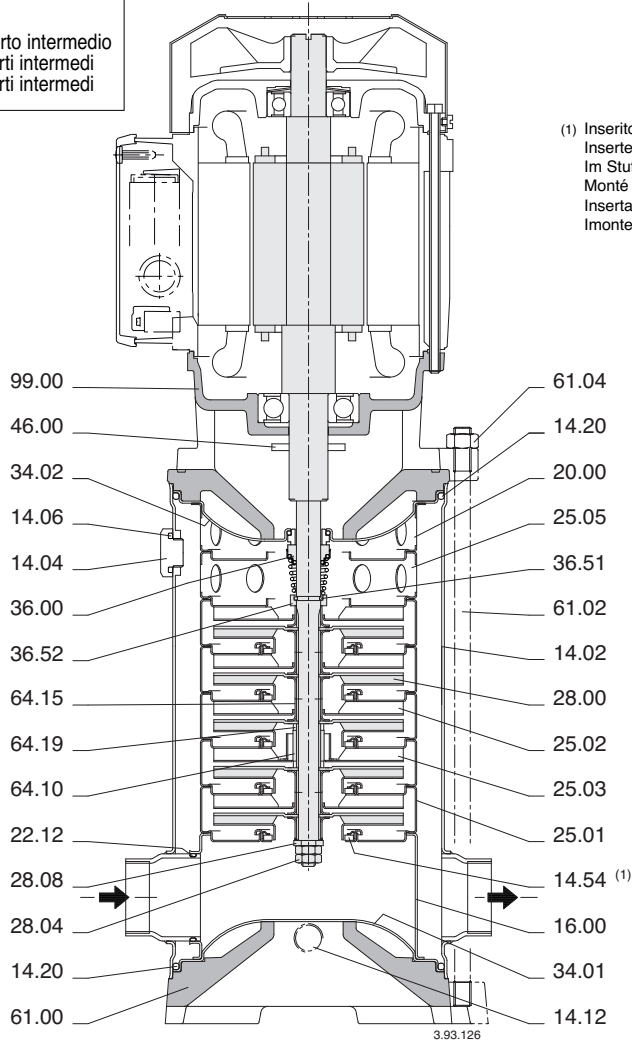


MXV-B 25-2..
 MXV-B 32-4..
 MXV-B 40-8..

Service kit

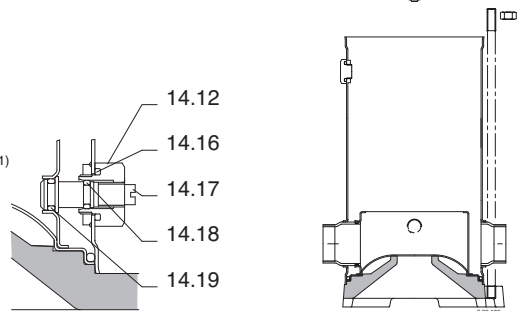
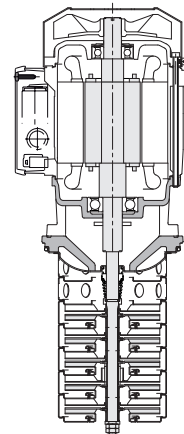
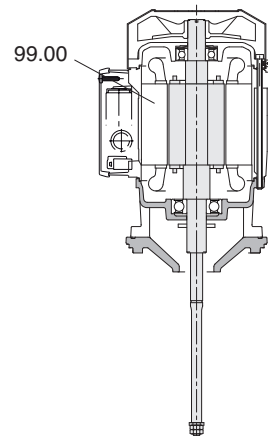
Pos	Qtà
14.16	1
14.18	1
14.19	1
14.20	2
14.48	1
22.12	1
25.03	1*
34.09	2
36.00	1
36.51	2
64.10	1*

*1 con 1 supporto intermedio
 2 con 2 supporti intermedi
 3 con 3 supporti intermedi



3.93.126

(1) Inserito nel corpo stadio
 Inserted in the stage casing
 Im Stufengehäuse eingepreßt
 Monté dans le corps étage
 Insertado en el cuerpo elemento
 Inmonterad i mellanhuset

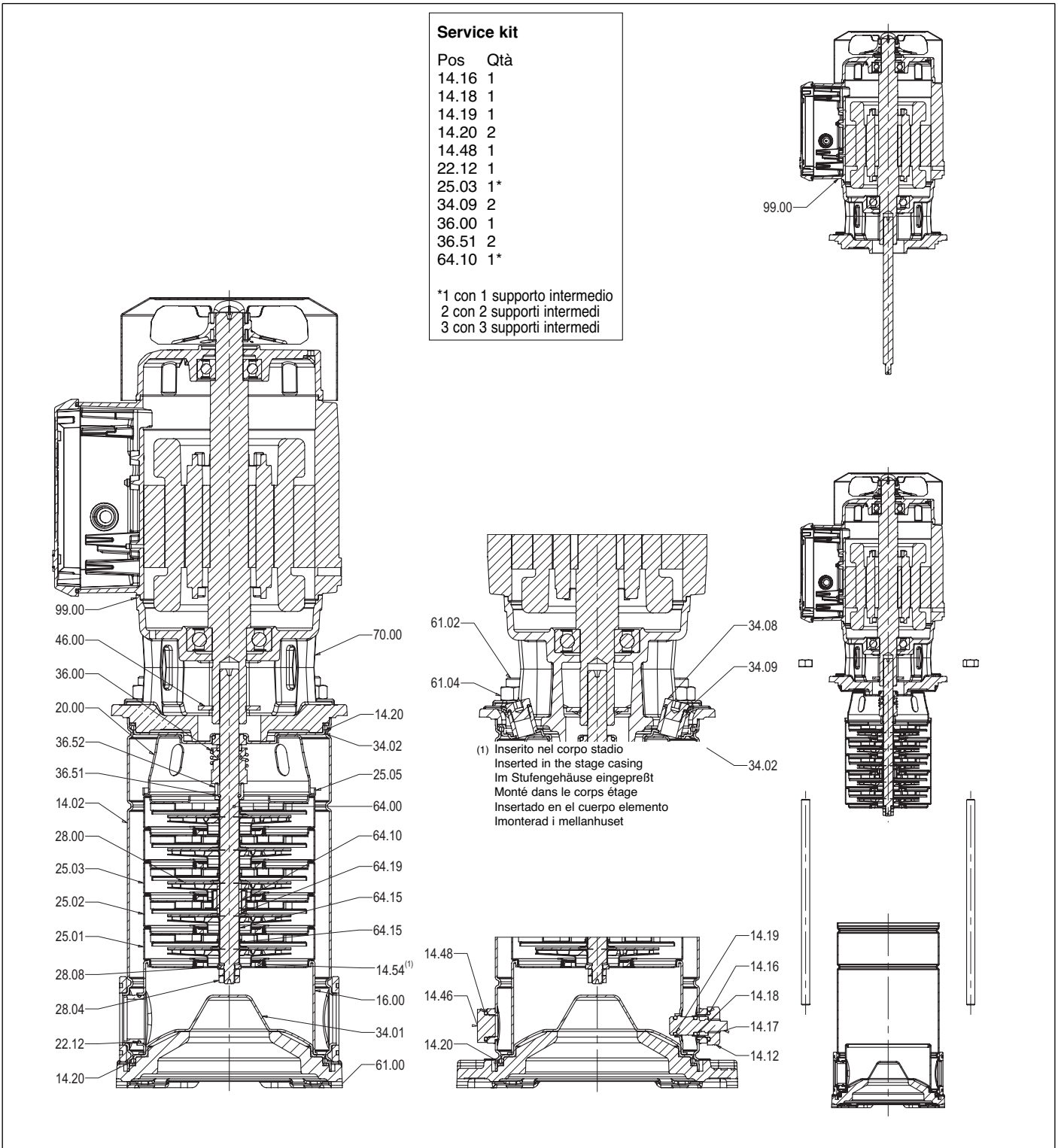


MXV-B 25-3..
 MXV-B 32-5..
 MXV-B 40-9..
 MXV-B 50-15..

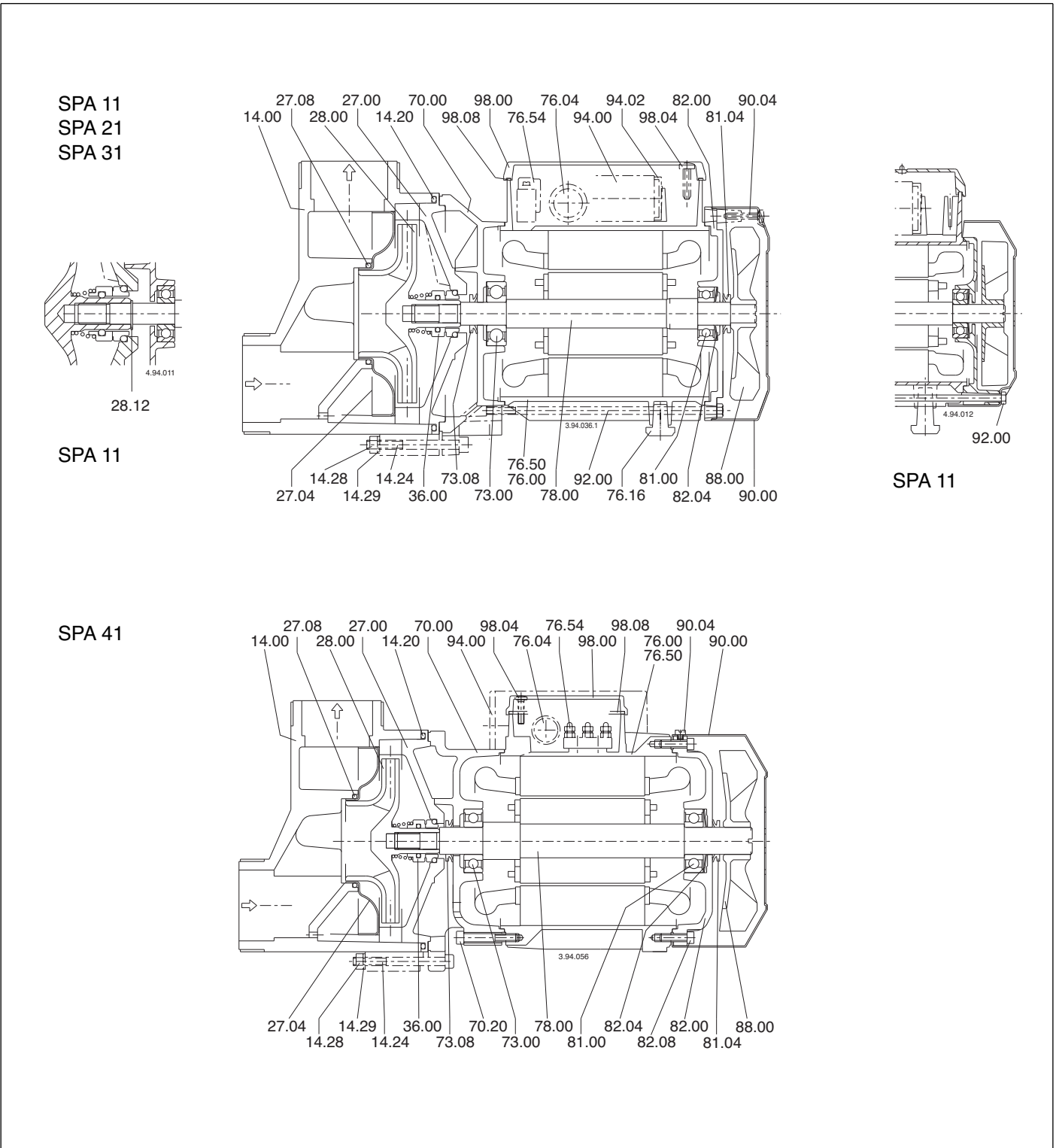
Service kit

Pos	Qtà
14.16	1
14.18	1
14.19	1
14.20	2
14.48	1
22.12	1
25.03	1*
34.09	2
36.00	1
36.51	2
64.10	1*

*1 con 1 supporto intermedio
 2 con 2 supporti intermedi
 3 con 3 supporti intermedi



SPA 11
 SPA 21
 SPA 31
 SPA 41

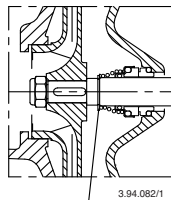
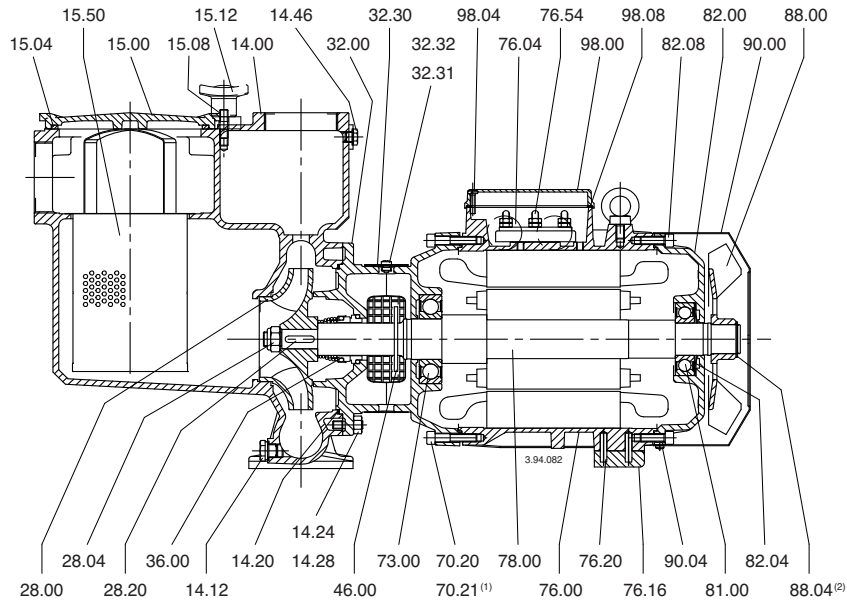


Sezione - Cross section - Schnittzeichnung - Section - Sección - Sektion

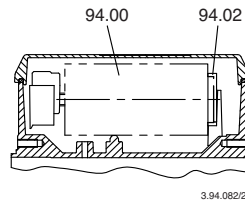
NMP 32/12S-A-D-F	B-NMP 32/12S-A-D-F
NMP 50/12D-F-G-H	B-NMP 50/12D-F-G-H
NMP 65/12A-C-E	B-NMP 65/12A-C-E
NMP 65/16A-C-D-E-F	B-NMP 65/16A-C-D-E-F

Service kit

Pos	Qtà
14.20	1
15.12	4
15.50	1
28.00	1
28.04	1
28.20	1
36.00	1
73.00	1
81.00	1



36.50

 NMP 32/12SE-AE-DE-FE
 NMP 52/12FE-GE-HE


94.00 94.02

⁽¹⁾ Solo nei tipi
 Only for types
 Nur für Baugrößen
 Seulement pour les types
 Solo en los tipos
 Endast typ
 Uitsluitend voor typen

 NMP 50/12DE
 NMP 65/16DE-EE-FE

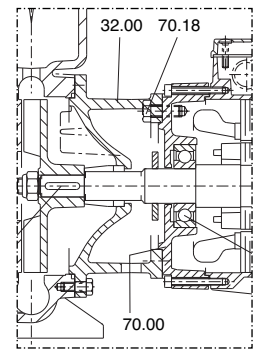
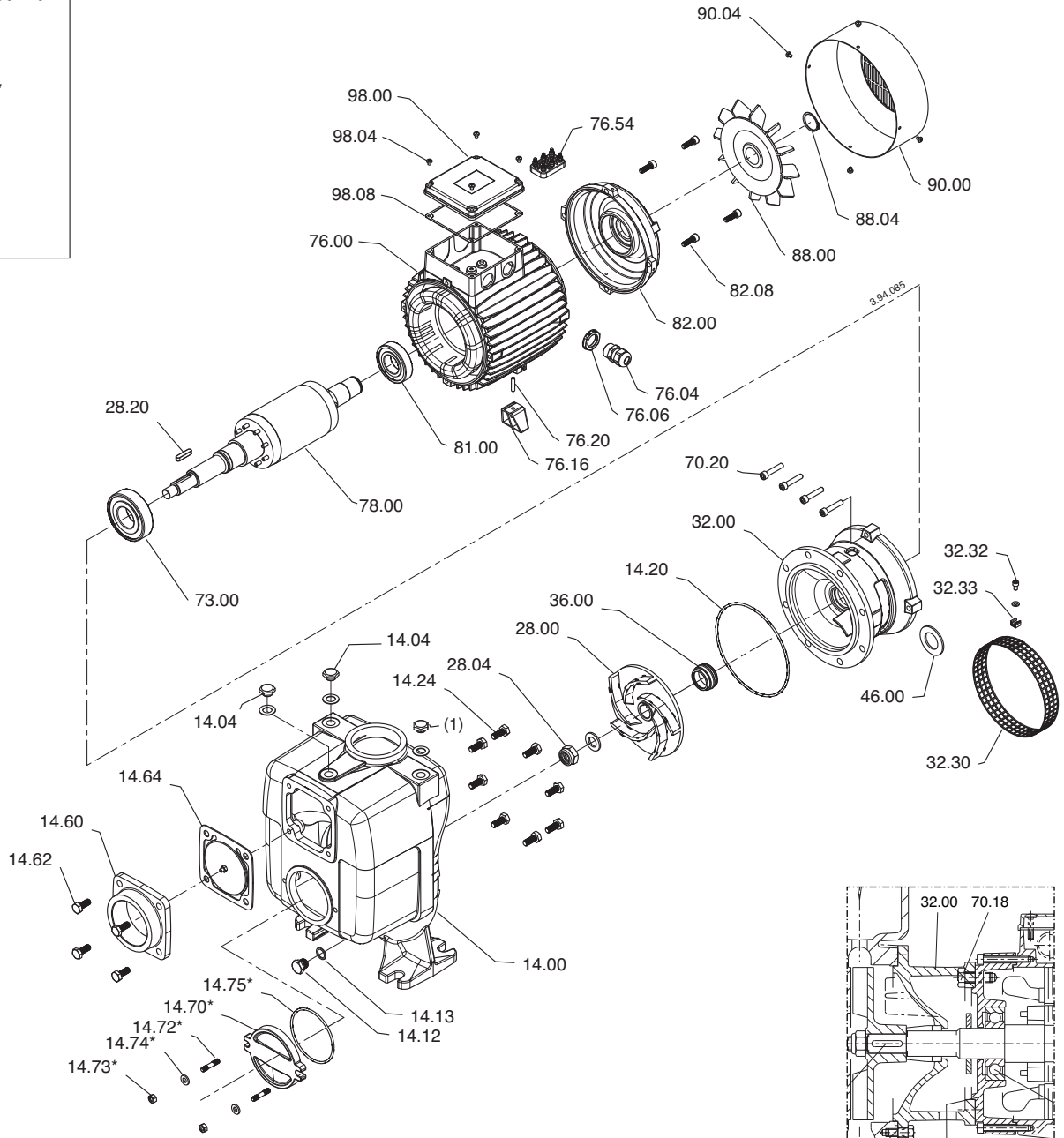
⁽²⁾ Solo nei tipi
 Only for types
 Nur für Baugrößen
 Seulement pour les types
 Solo en los tipos
 Endast typ
 Uitsluitend voor typen

 NMP 50/12DE
 NMP 65/12A-C-E
 NMP 65/16AE-CE-DE-EE-FE

A 40-110A-B B-A 50-125AE-BE-CE
 A 50-125A-B-C B-A 65-150AE-BE-CE
 A 65-150A-B-C
 A 80-170A-B

Service kit

- Pos
- 14.20
- 14.64
- 14.75*
- 28.00
- 28.04
- 28.20
- 36.00
- 73.00
- 81.00



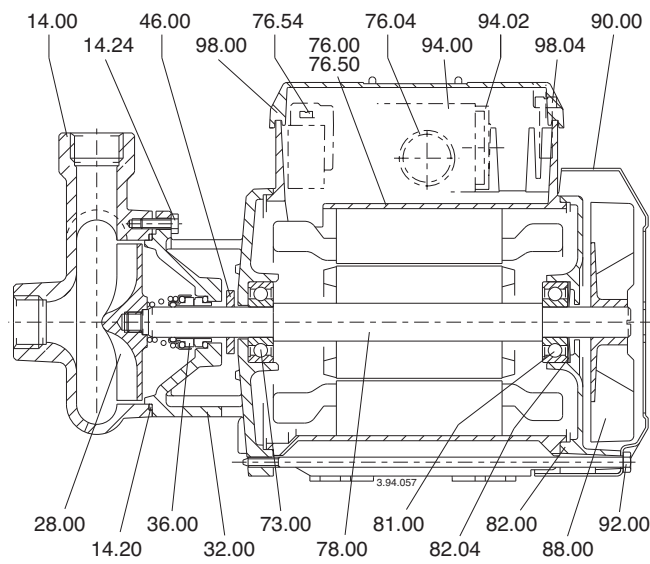
A 65-150

* Solo nei tipi
 Only for types
 A 65-150
 A 80-170

(1) Non presente nei tipi
 Not supplied for types
 A 40-110

Service kit

- Pos
- 14.20
- 28.00
- 28.04
- 28.12*
- 28.20
- 36.00
- 73.00
- 81.00
- 94.00



Sezione - Cross section - Schnittzeichnung - Section - Sección - Sektion

C

C 18	C 4/1	B-C 20	B-C 41/1
C 20	C 4	B-C 22/1	B-C 41
C 21	C 41/1	B-C 22	B-C 41/1E
C 22/1	C 41		B-C 41E
C 22	C 41/1E		
	C 41E		

Service kit

Pos

14.20

28.00

28.04

28.12*

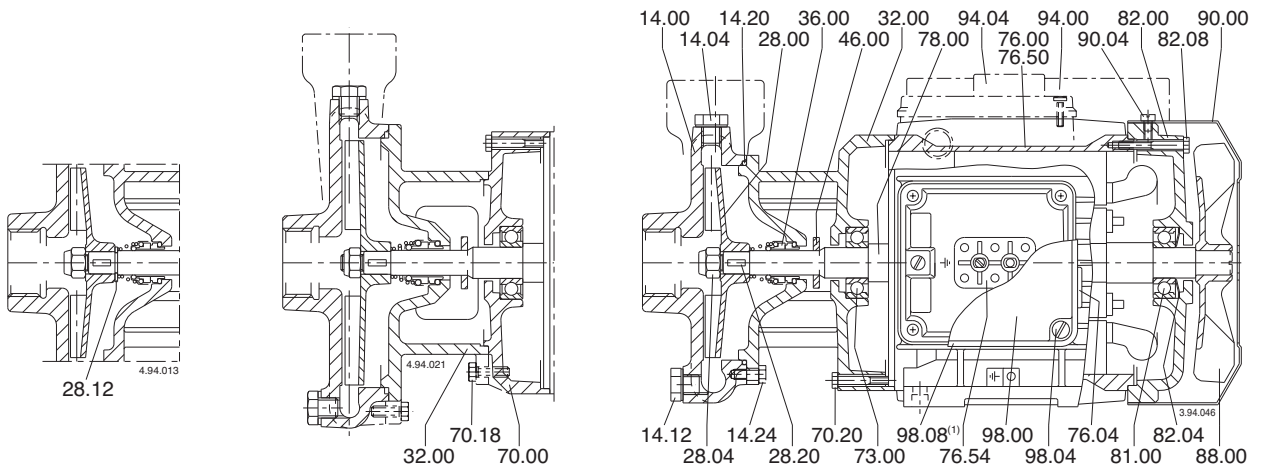
28.20

36.00

73.00

81.00

94.00



C 18

C 4/1

C 4

B-C 20

B-C 22/1

B-C 22

B-C 41/1

B-C 41

B-C 41/1E

B-C 41E

(1) Solo nei tipi

Only for types

Nur für Baugrößen

Seulement pour les types

Solo en los tipos

Endast type

C 41/1

C 41

C 41/1E

C 41E

B-C 41/1

B-C 41

B-C 41/1E

B-C 41E

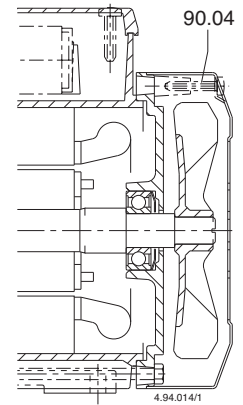
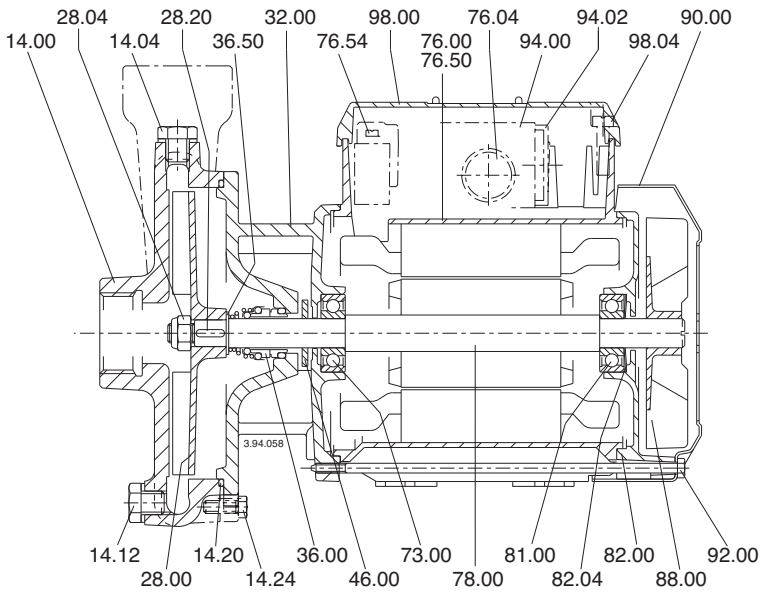
Sezione - Cross section - Schnittzeichnung - Section - Sección - Sektion

C

- C 20E B-C 20E
- C 22/1E B-C 22/1E
- C 22E B-C 22E
- C 4/1E
- C 4E

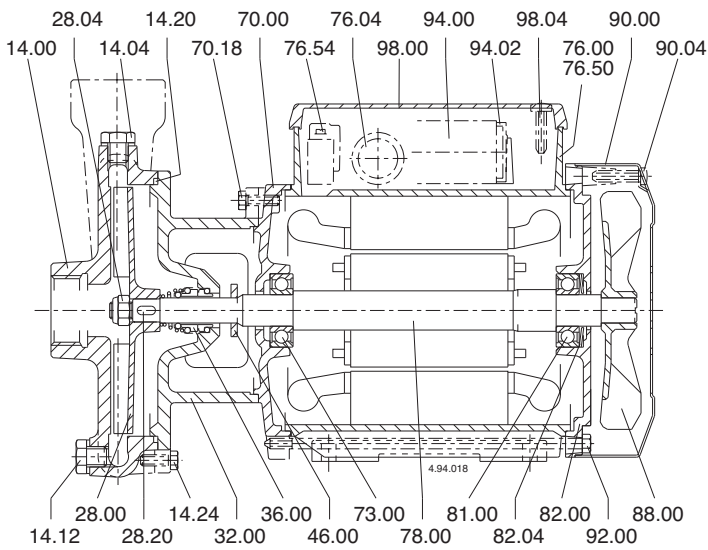
Service kit

- Pos
- 14.20
- 28.00
- 28.04
- 28.12*
- 28.20
- 36.00
- 73.00
- 81.00
- 94.00



C 4/1E
C 4E

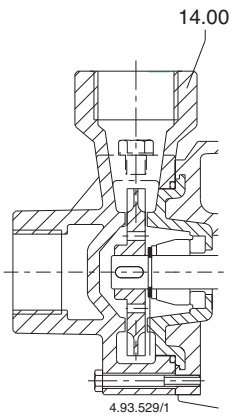
- B-C 20E
- B-C 22/1E
- B-C 22E



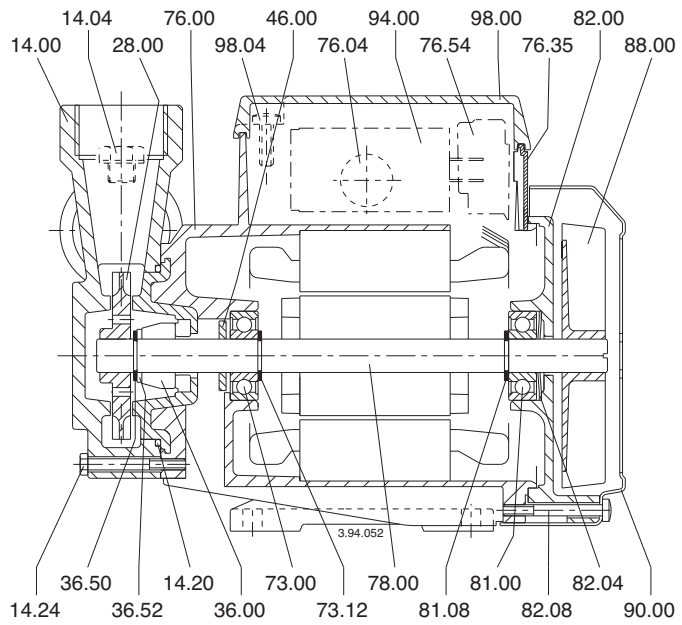
CT 60 CT 61
 CTM 60 CTM 61

Service kit

Pos
 14.20
 28.00
 28.20
 36.00
 36.50
 73.00
 81.00



CT 60

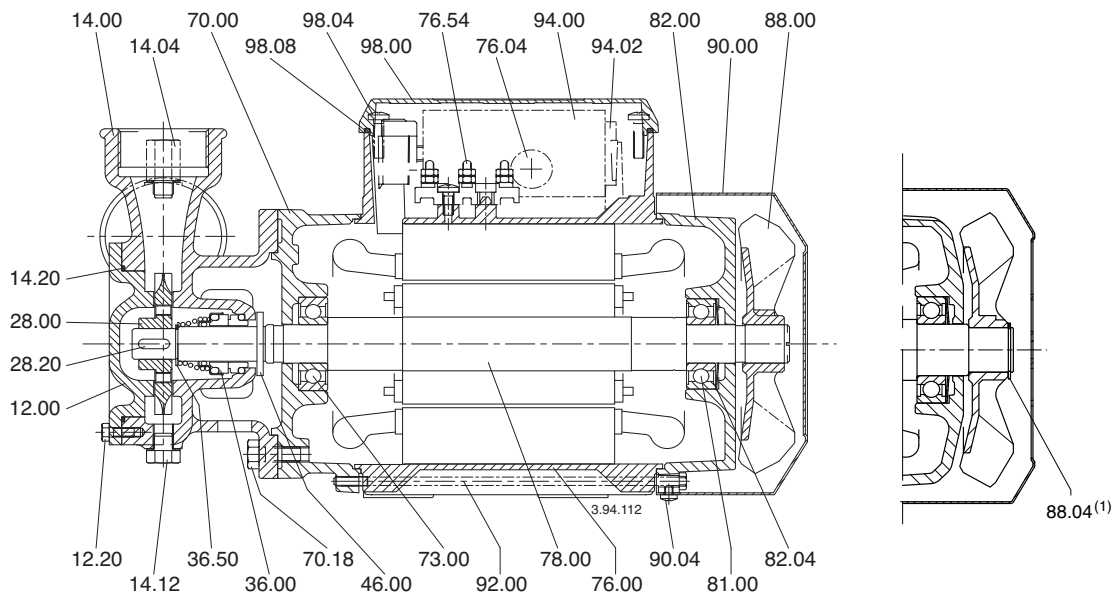


CT 61

T 76E B-TP 80E
 TP 80E
 TP 100E
 T 100E

Service kit

Pos
 14.20
 28.00
 28.20
 36.00
 36.50
 73.00
 81.00



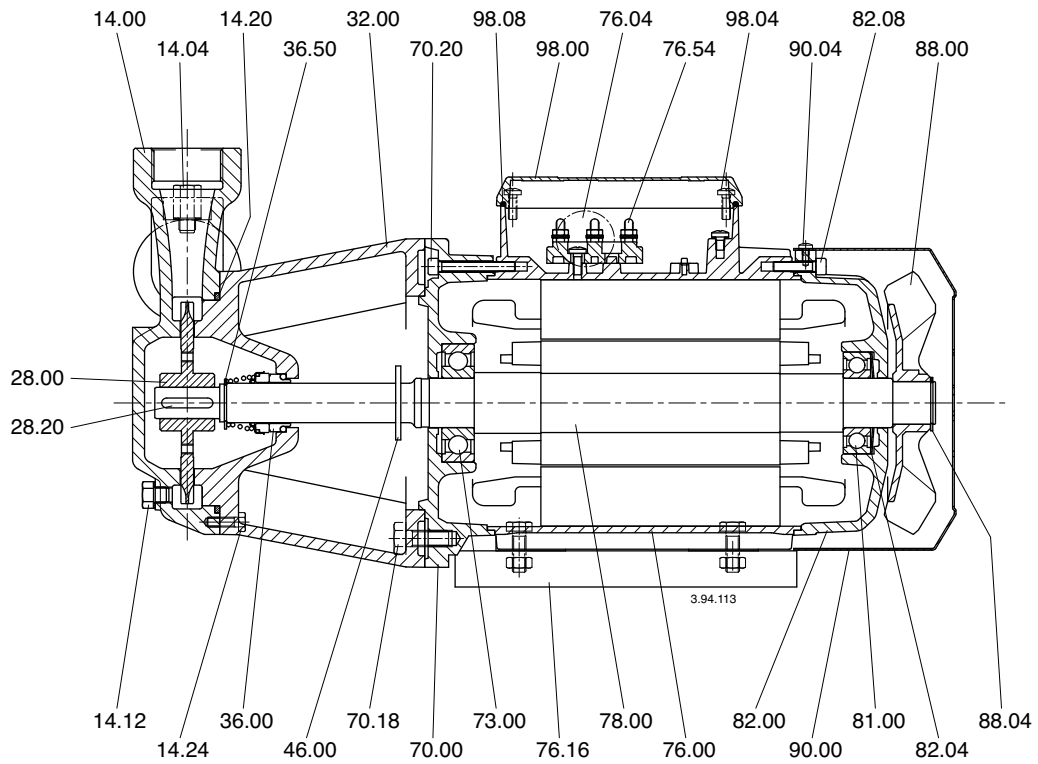
(1) Solo nel tipo
 Only for type
 Nur für Baugröße
 Seulement pour le type
 Solo en el tipo
 Endast typ

T 100E

T 125E

Service kit

Pos
 14.20
 28.00
 28.20
 36.00
 36.50
 73.00
 81.00

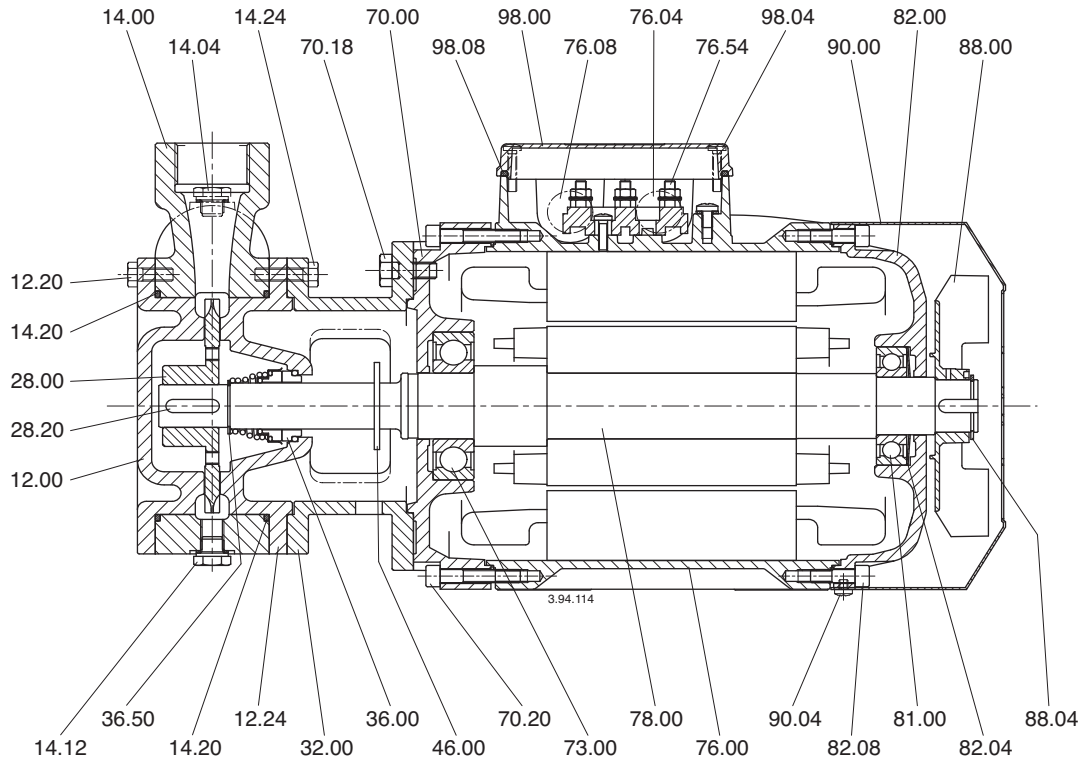


TP 132RE

TP 132E

Service kit

- Pos
- 14.20
- 28.00
- 28.20
- 36.00
- 36.50
- 73.00
- 81.00

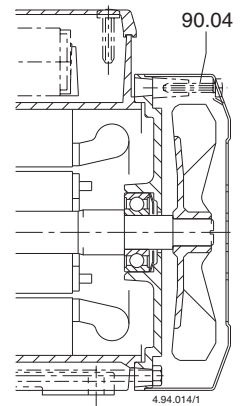
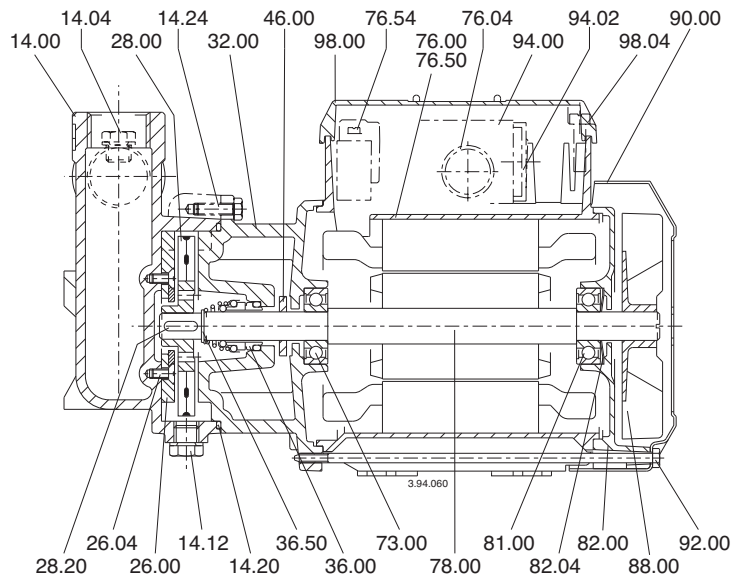


CA 60E	B-CA 60E
CA 80E	B-CA 80E
CA 90E	B-CA 90E
CA 91E	B-CA 91E

Service kit

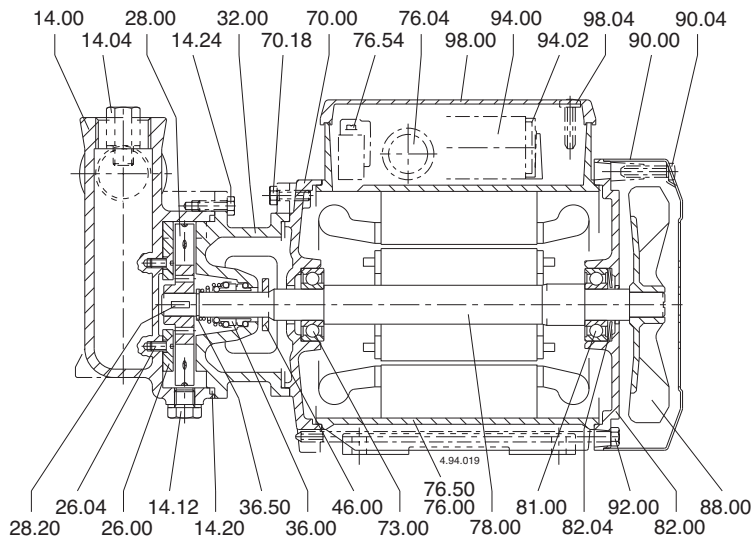
Pos
 14.20
 26.00
 26.04
 28.00
 28.20
 36.00
 36.50
 73.00
 81.00

CA 60E
 B-CA 60E
 CA 80E
 CA 90E
 CA 91E



CA 90E
 CA 91E

B-CA 80E
 B-CA 90E
 B-CA 91E



NGC 2E

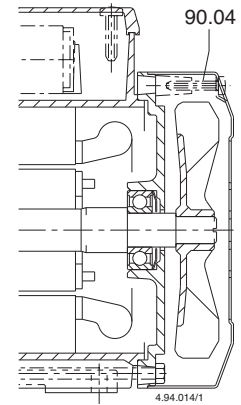
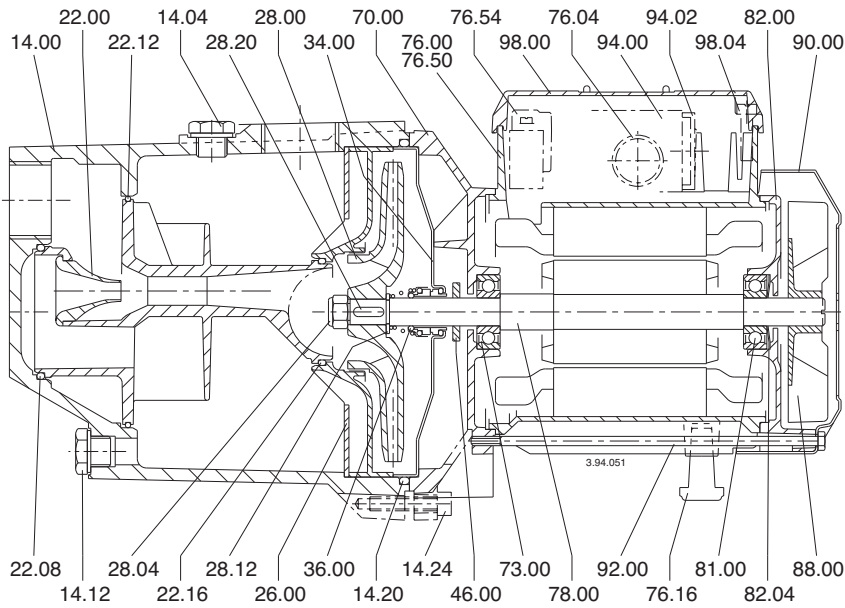
NGC 3E

Service kit

Pos

- 14.20
- 22.00
- 28.00
- 28.04
- 28.12*
- 28.20
- 36.00
- 36.50*
- 73.00
- 81.00
- 94.00

*Quando presente
When available



NGC 3E

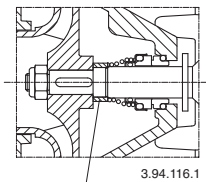
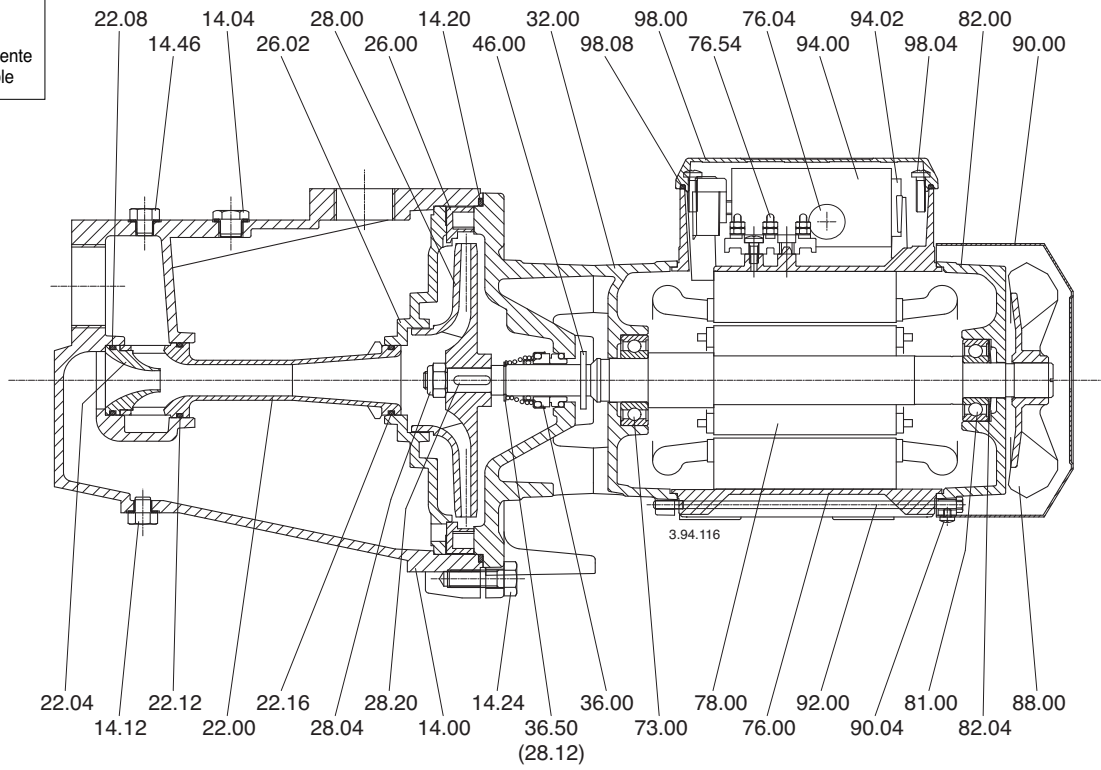
NG 3	B-NG 3
NG 4	B-NG 4
NG 5	B-NG 5
NG 6	B-NG 6
NG 7	B-NG 7

Service kit

Pos

- 14.20
- 22.00
- 28.00
- 28.04
- 28.12*
- 28.20
- 36.00
- 36.50*
- 73.00
- 81.00
- 94.00

*Quando presente
When available

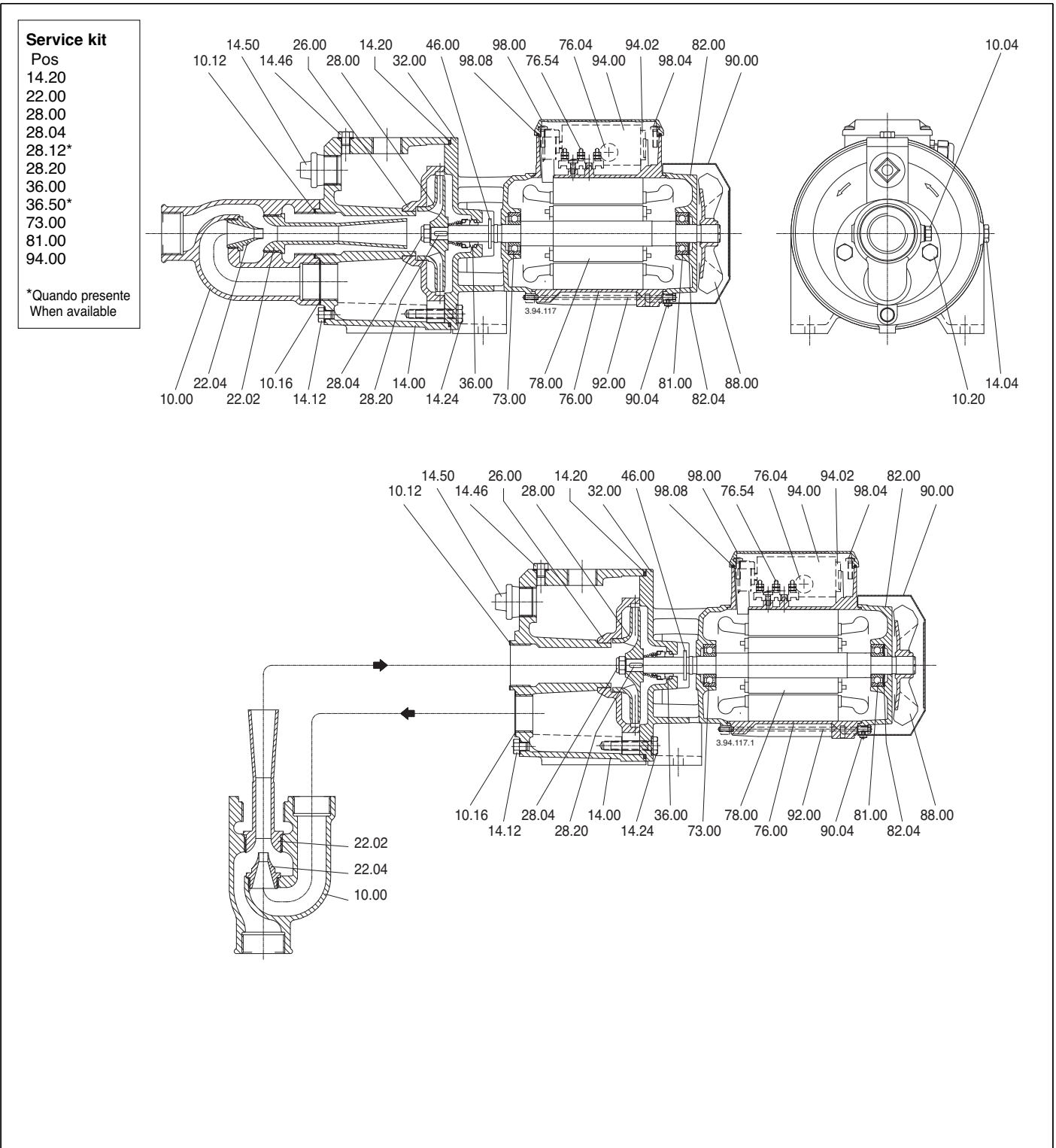


36.54

B-NG 6

(28.12) NG 3-4
B-NG 3-4

NG 29
 NG 30
 NG 31
 NG 32E



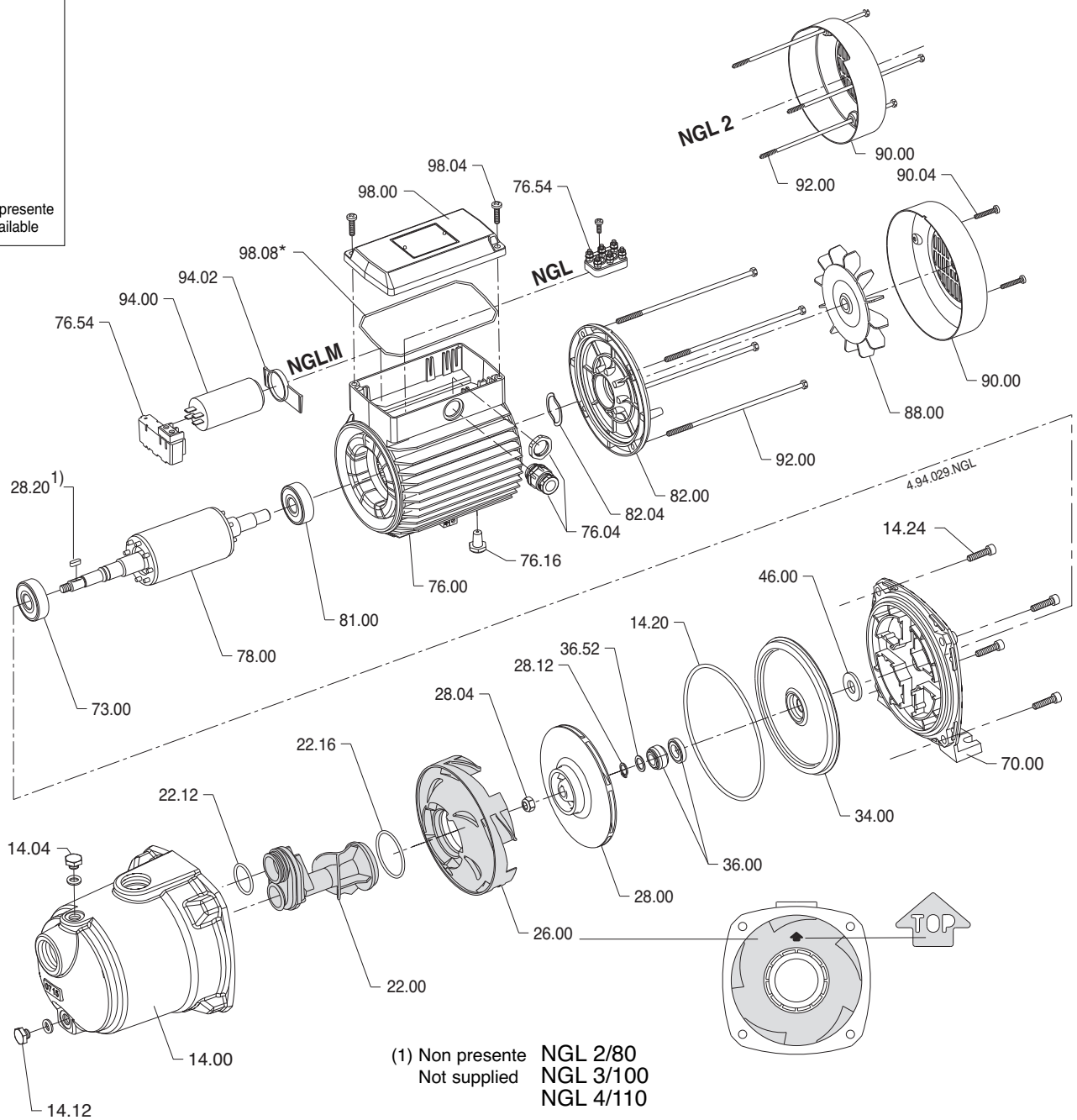
Sezione - Cross section - Schnittzeichnung - Section - Sección - Sektion

NGL 2	NGL 2/80
NGL 3	NGL 3/100
NGL 4	NGL 4/110

Service kit

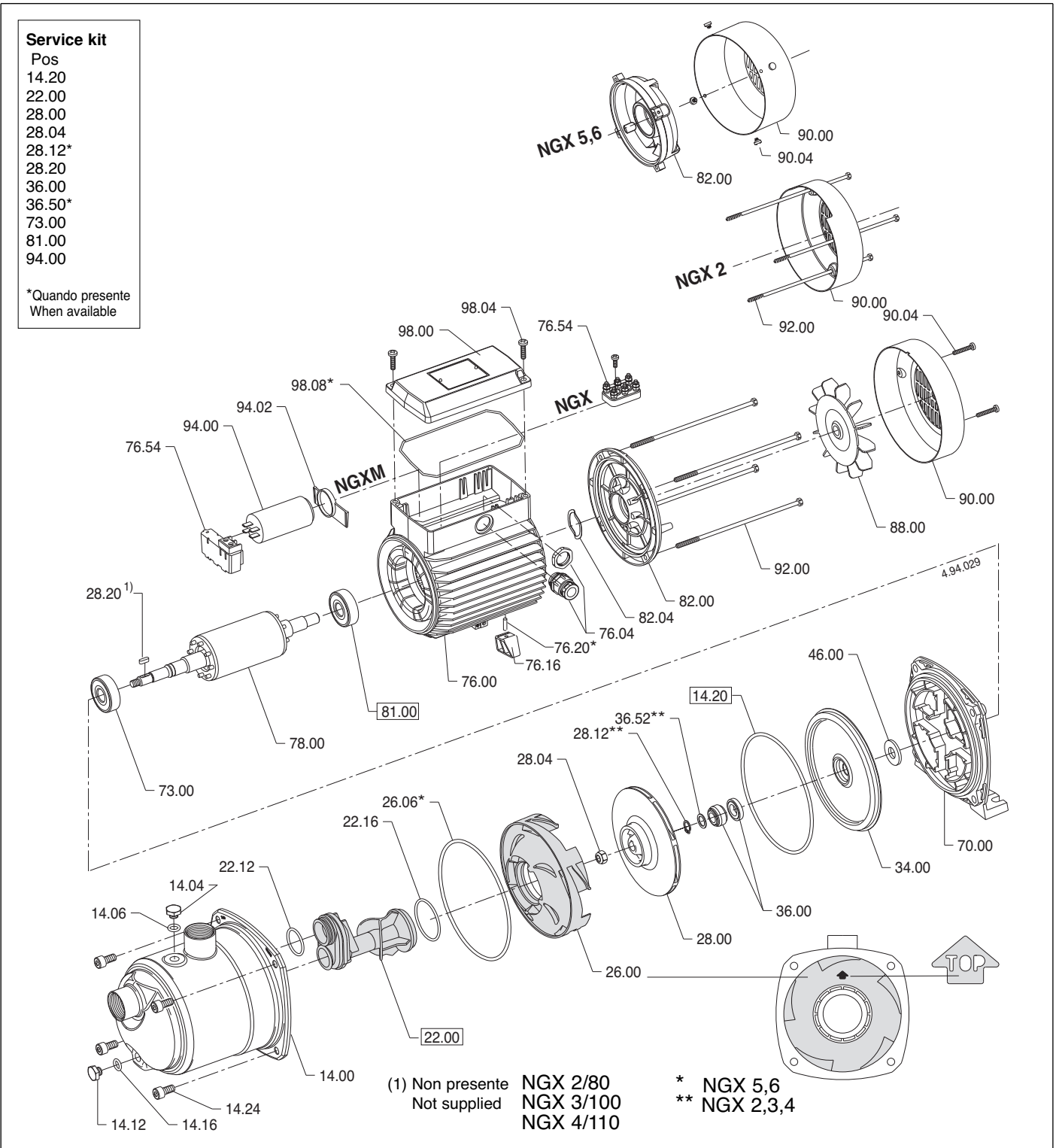
Pos

14.20
22.00
28.00
28.04
28.12*
28.20
36.00
36.50*
73.00
81.00
94.00

 *Quando presente
When available


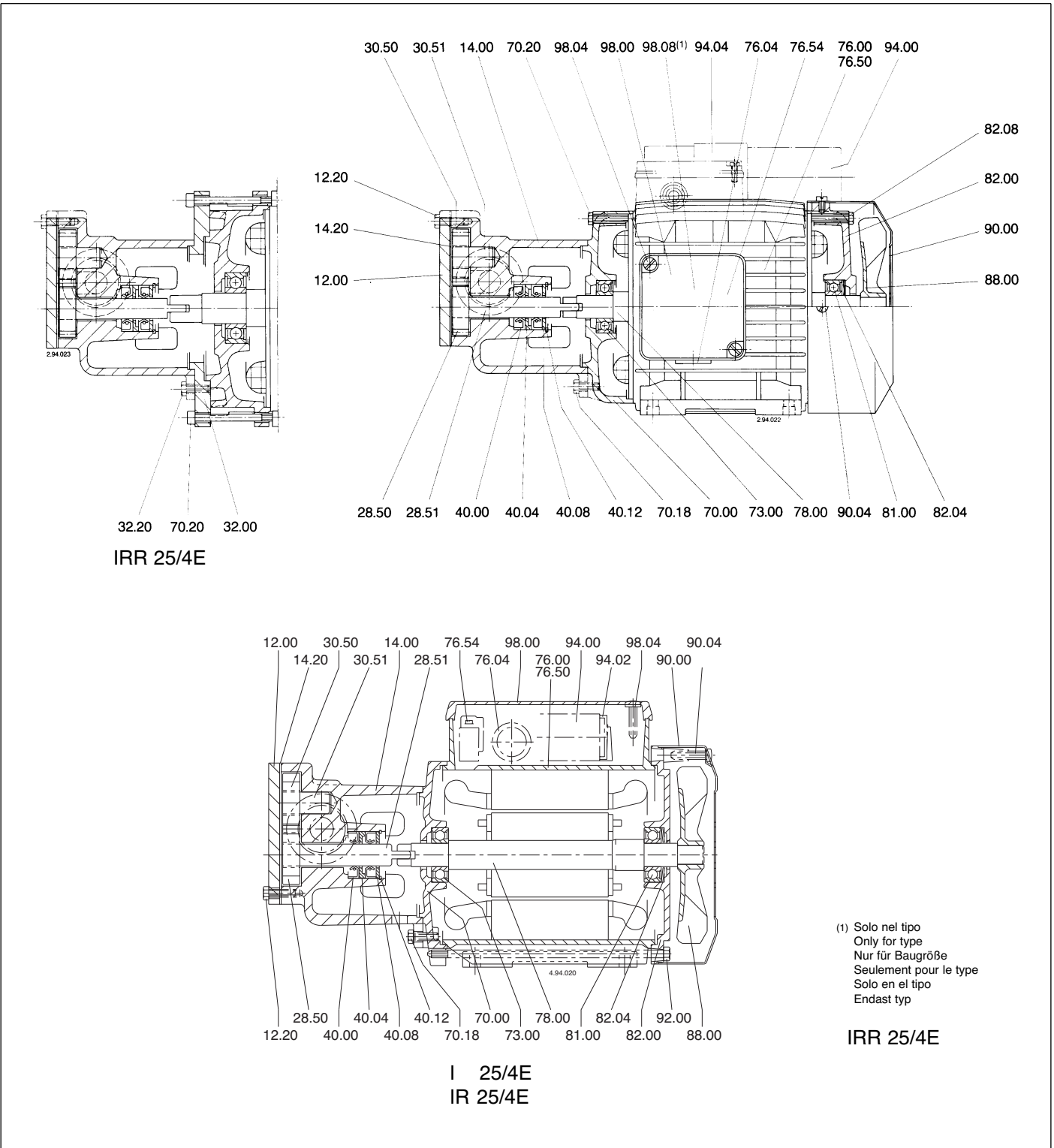
(1) Non presente	NGL 2/80
Not supplied	NGL 3/100
	NGL 4/110

NGX 2	NGX 2/80
NGX 3	NGX 3/100
NGX 4	NGX 4/110
NGX 5	
NGX 6	



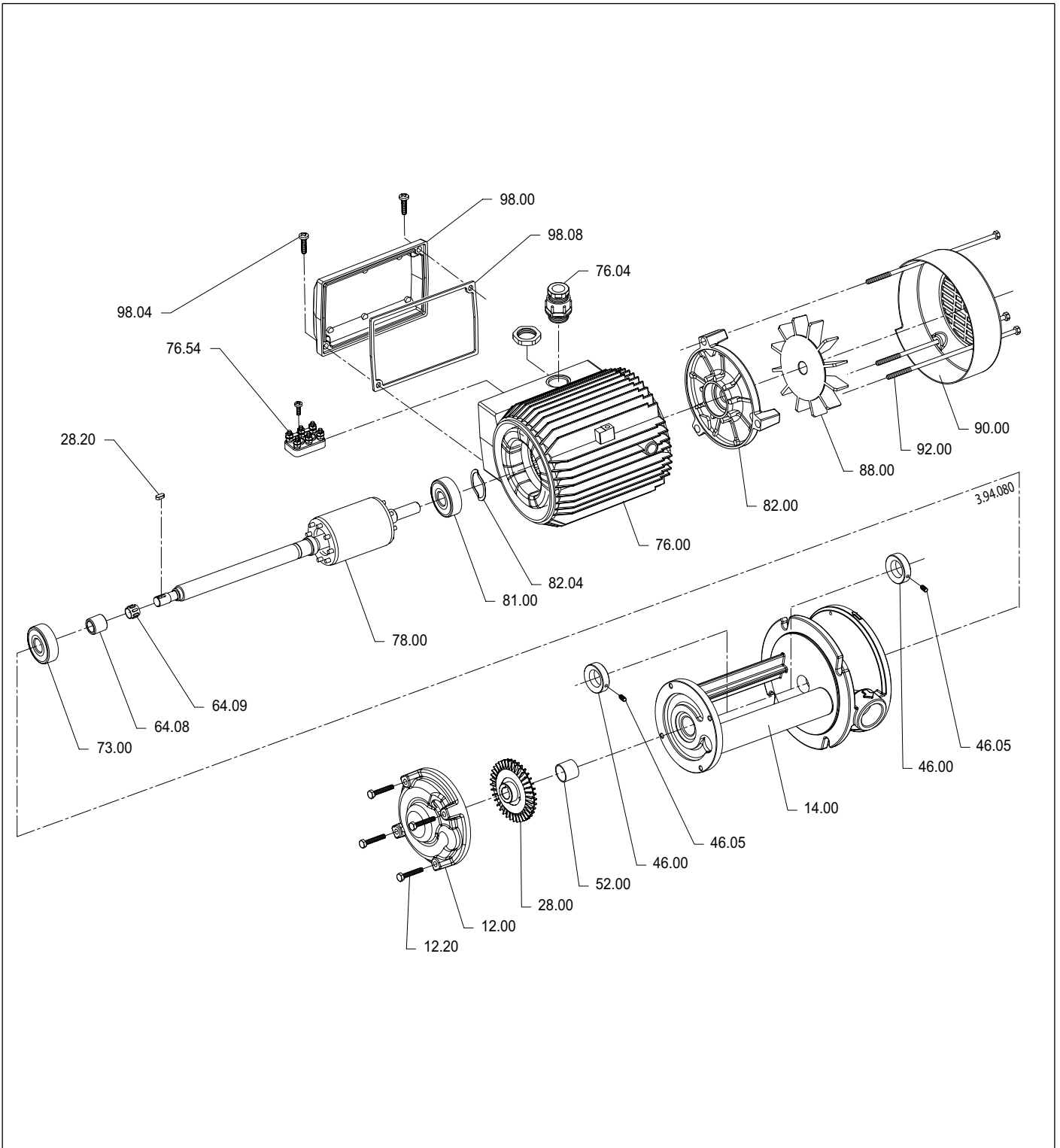
Sezione - Cross section - Schnittzeichnung - Section - Sección - Sektion

I 25/4	I 25/4E
IR 25/4	IR 25/4E
IRR 25/4	IRR 25/4E



B-VT 60/170

B-VT 65/170



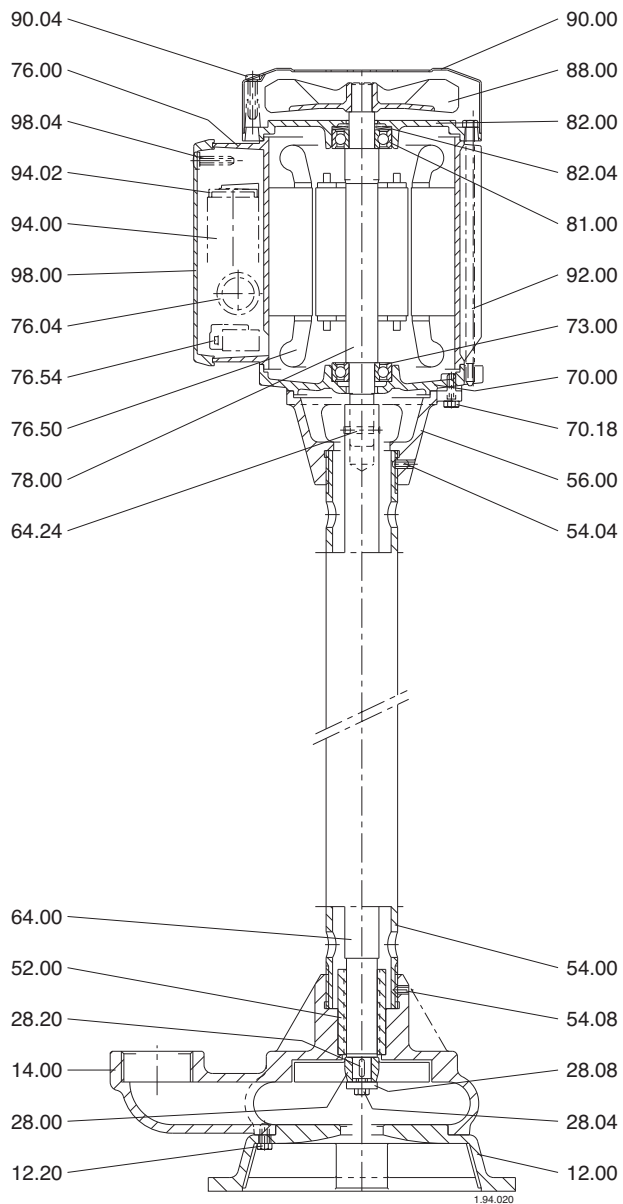
VAL 30/750E
VAL 30/1000E

Service kit

Pos

- 28.00
- 28.04
- 28.08
- 28.20
- 52.00
- 64.08*
- 64.20*
- 64.24
- 73.00
- 81.00

*Quando presente
When available



Sezione - Cross section - Schnittzeichnung - Section - Sección - Sektion

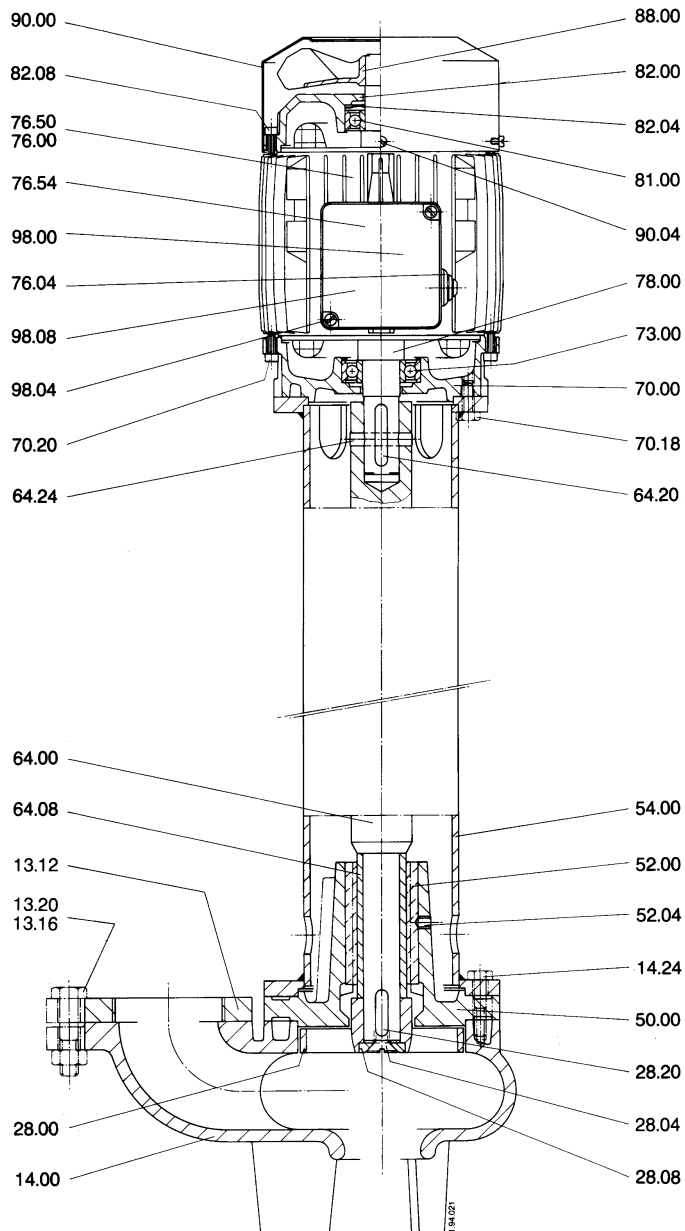
VAL 65/1000E	VAL 65/1000-RE
VAL 65/1500E	VAL 65/1500-RE
VAL 65/2000E	VAL 65/2000-RE
VAL 65/2500E	VAL 65/2500-RE

Service kit

Pos

28.00
 28.04
 28.08
 28.20
 52.00
 64.08*
 64.20*
 64.24
 73.00
 81.00

*Quando presente
 When available

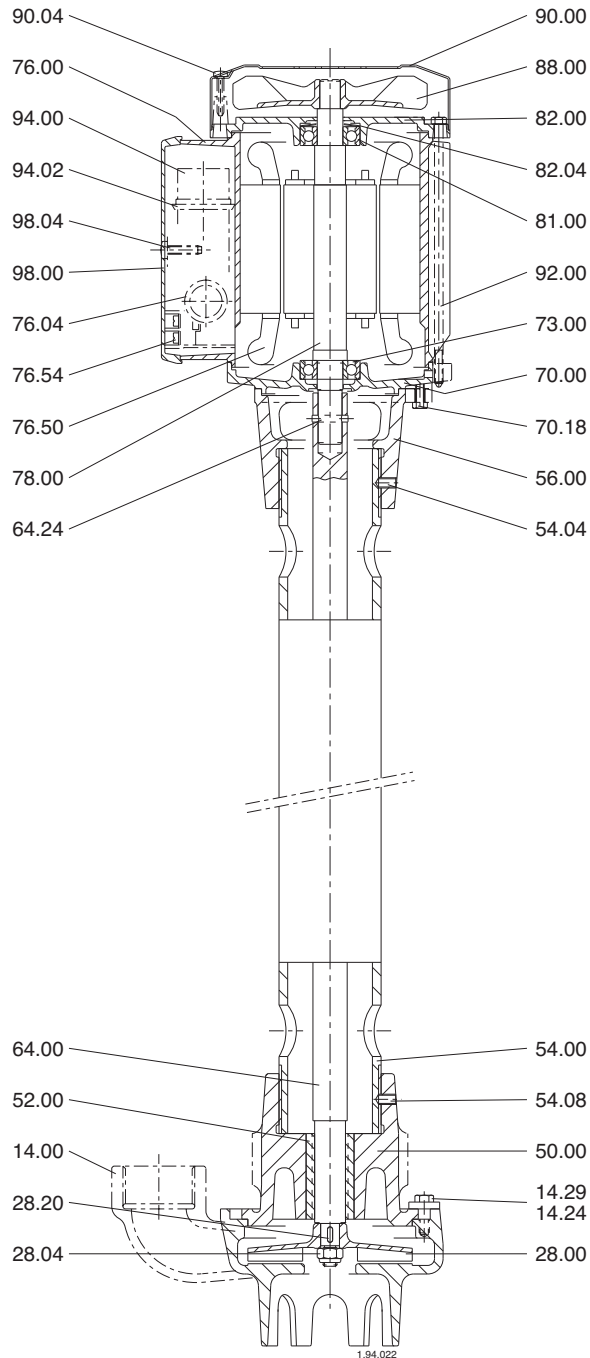


SC 30/500E	SC 50/500E
SC 30/750E	SC 50/750E
SC 30/1000E	SC 50/1000E
SC 30/1250E	SC 50/1250E

Service kit

Pos
 28.00
 28.04
 28.08
 28.20
 52.00
 64.08*
 64.20*
 64.24
 73.00
 81.00

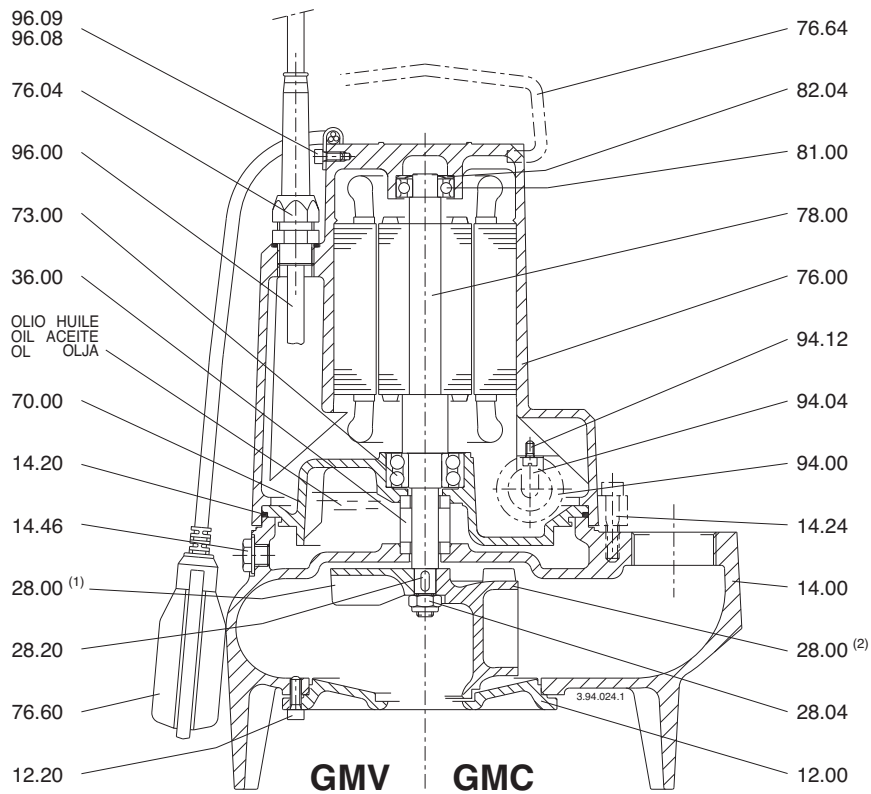
*Quando presente
 When available



GMC 50/AE-BE-CE
GMV 50/AE-BE-CE

Service kit

Pos
14.20
28.00
28.04
28.20
36.00
73.00
76.60
81.00
94.00



(1) Solo nel tipo
Only for type
Nur für Baugröße
Seulement pour le type
Solo en el tipo
Endast typ

GMV

(2) Solo nel tipo
Only for type
Nur für Baugröße
Seulement pour le type
Solo en el tipo
Endast typ

GMC

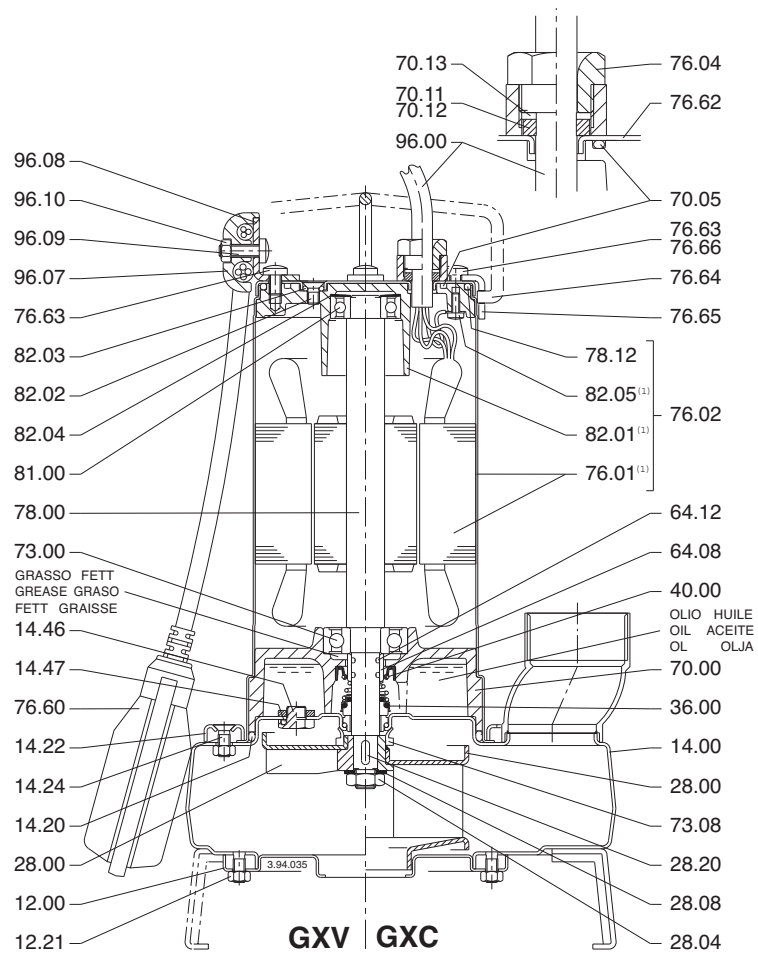
GXC 40/A-B

GXV 40/A-B

Service kit

Pos Qtà

12.50	1
12.60	1
14.20	1
14.64	1
28.04	1
36.00	1
40.00	1
64.08	1
64.12	2
70.05	1
70.08	1
70.10	1
70.11	1
70.12	1
73.00	1
73.08	1
76.02	1
76.60	1
76.68	1
81.00	1
94.00	1

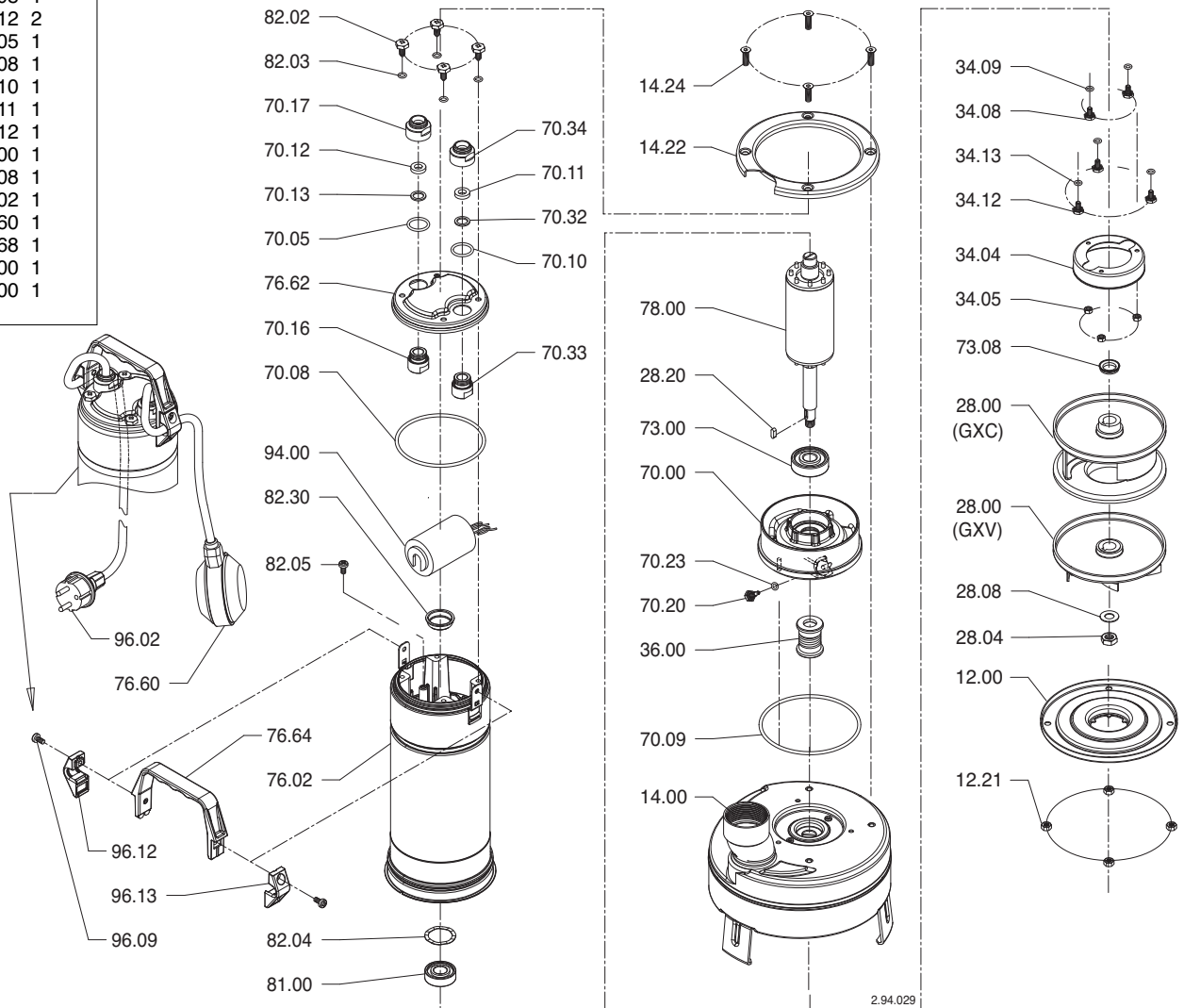


GXC 40-10 GXV 40-7
 GXC 40-13 GXV 40-8
 GXV 40-9

Service kit

Pos Qtà

- 12.50 1
- 12.60 1
- 14.20 1
- 14.64 1
- 28.04 1
- 36.00 1
- 40.00 1
- 64.08 1
- 64.12 2
- 70.05 1
- 70.08 1
- 70.10 1
- 70.11 1
- 70.12 1
- 73.00 1
- 73.08 1
- 76.02 1
- 76.60 1
- 76.68 1
- 81.00 1
- 94.00 1



2.94.029

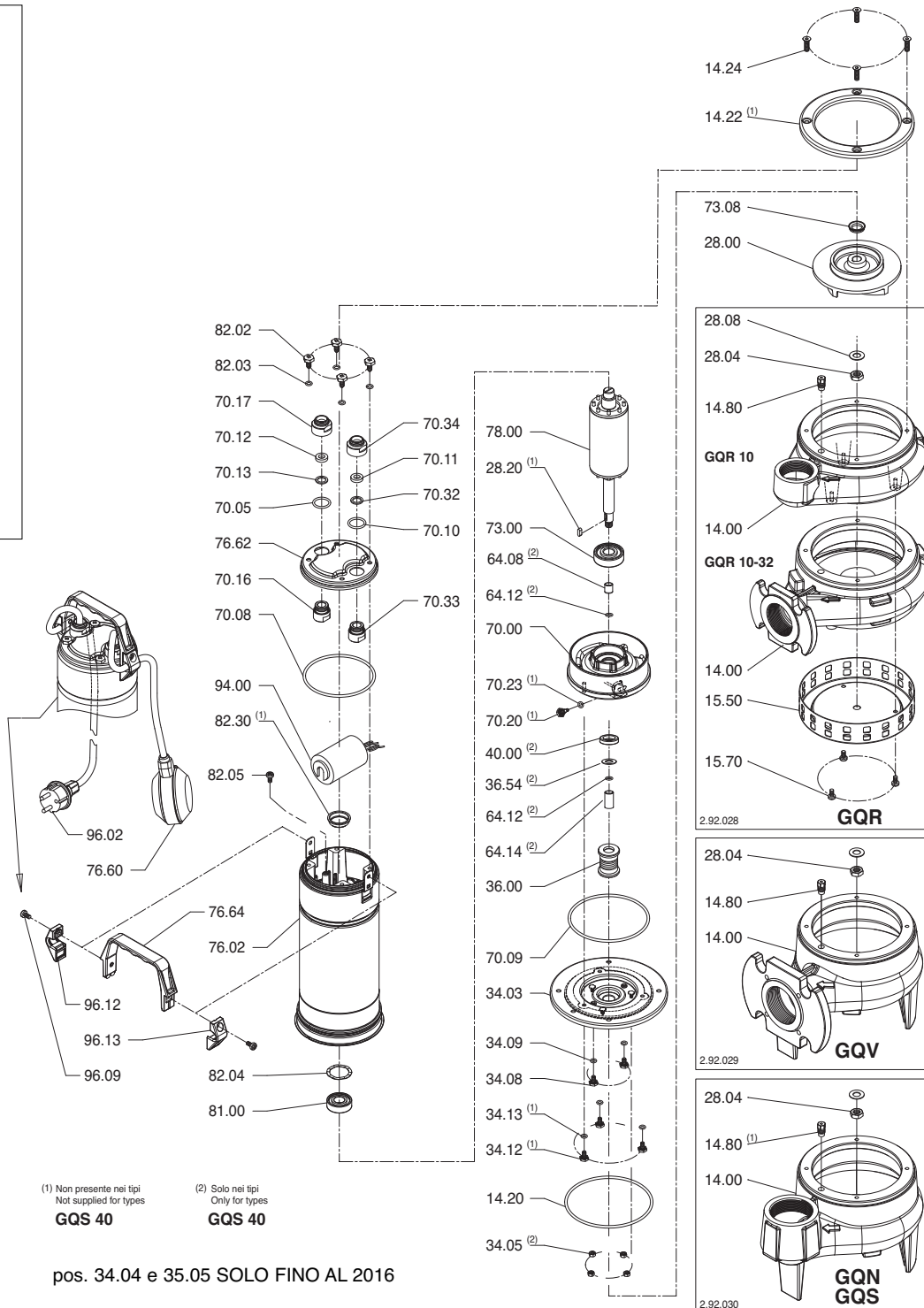
Sezione - Cross section - Schnittzeichnung - Section - Sección - Sektion

GQR, GQS, GQV, GQN

GQR 10-10	GQS 40-9	GQV 50-8	GQN 50-13
GQR 10-12	GQS 50-8	GQV 50-9	GQN 50-15
GQR 10-14	GQS 50-9	GQV 50-11	GQN 50-17
GQR 10-16	GQS 50-11	GQV 50-13	
GQR 10-18	GQS 50-13	GQV 50-15	
GQR 10-20	GQS 50-15		

Service kit

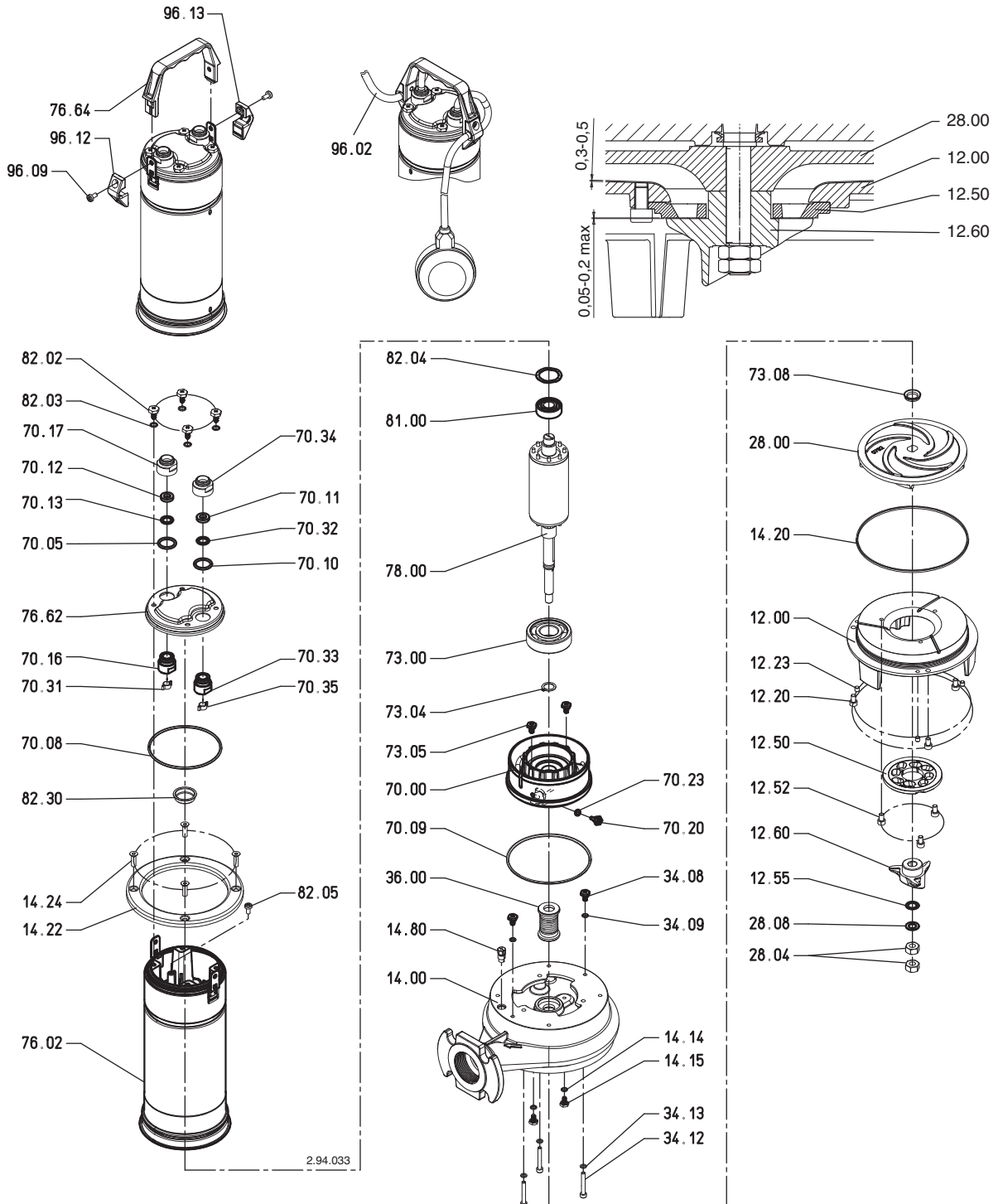
Pos	Qtà
12.50	1
12.60	1
14.20	1
14.64	1
28.04	1
36.00	1
40.00	1
64.08	1
64.12	2
70.05	1
70.08	1
70.10	1
70.11	1
70.12	1
73.00	1
73.08	1
76.02	1
76.60	1
76.68	1
81.00	1
94.00	1



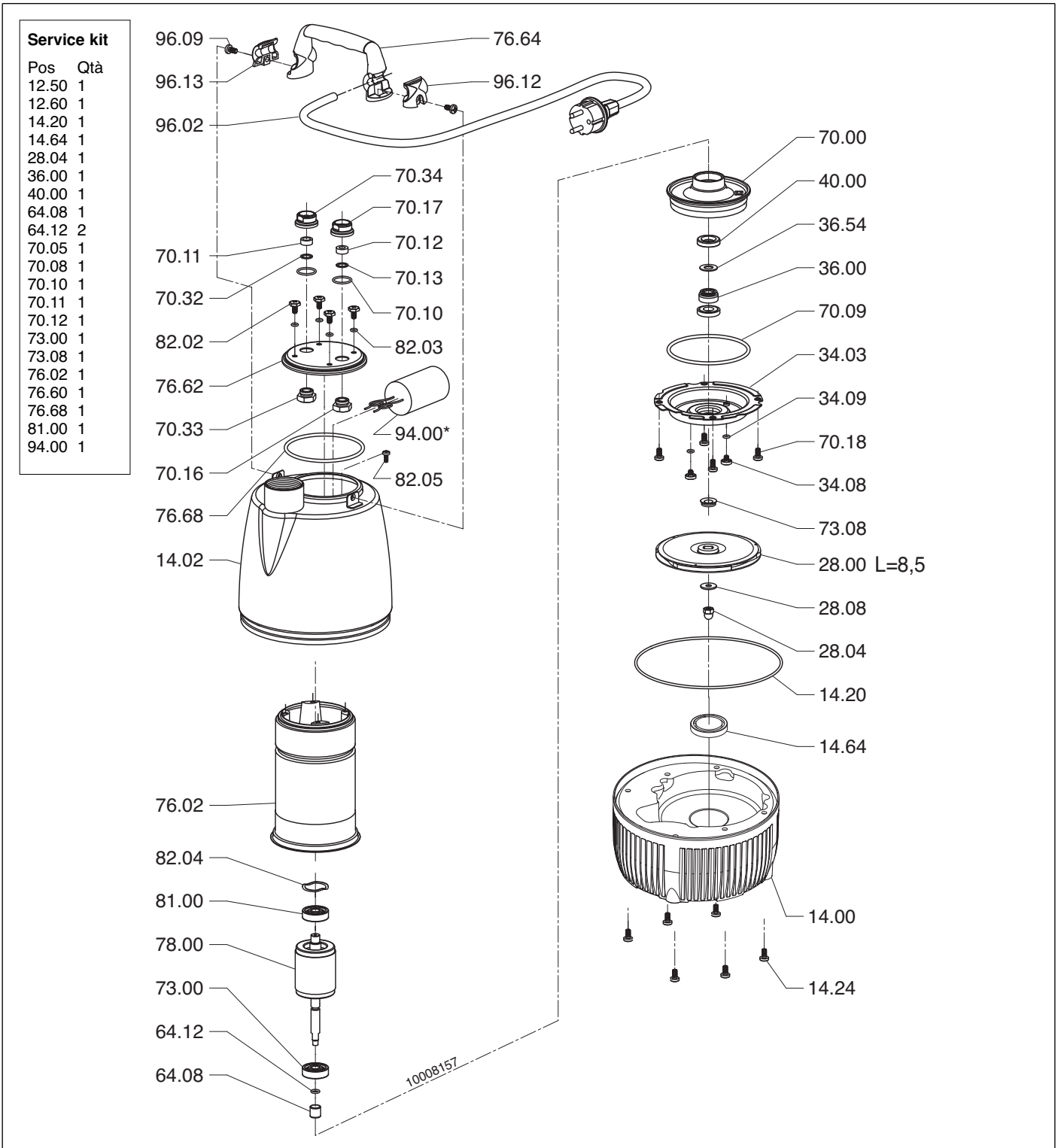
GQG 6-18
GQG 6-21
GQG 6-25

Service kit

Pos	Qtà
12.50	1
12.60	1
14.20	1
14.64	1
28.04	1
36.00	1
40.00	1
64.08	1
64.12	2
70.05	1
70.08	1
70.10	1
70.11	1
70.12	1
73.00	1
73.08	1
76.02	1
76.60	1
76.68	1
81.00	1
94.00	1



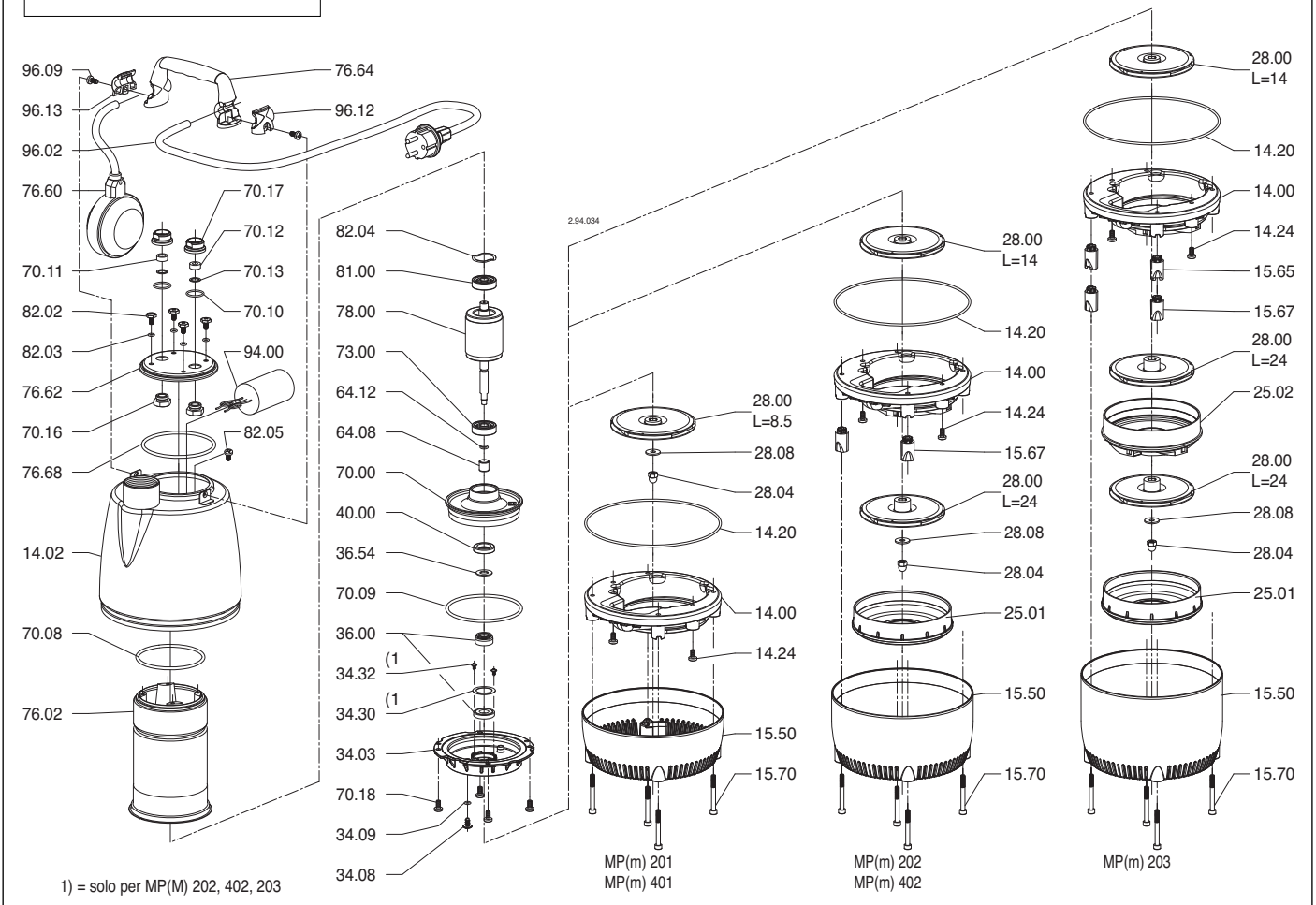
GX ZERO



MPM 201 MPM 401
 MPM 202 MPM 402
 MPM 203

Service kit

Pos	Qtà	Pos	Qtà
12.50	1	70.10	1
12.60	1	70.11	1
14.20	1	70.12	1
14.64	1	73.00	1
28.04	1	73.08	1
36.00	1	76.02	1
40.00	1	76.60	1
64.08	1	76.68	1
64.12	2	81.00	1
70.05	1	94.00	1
70.08	1		

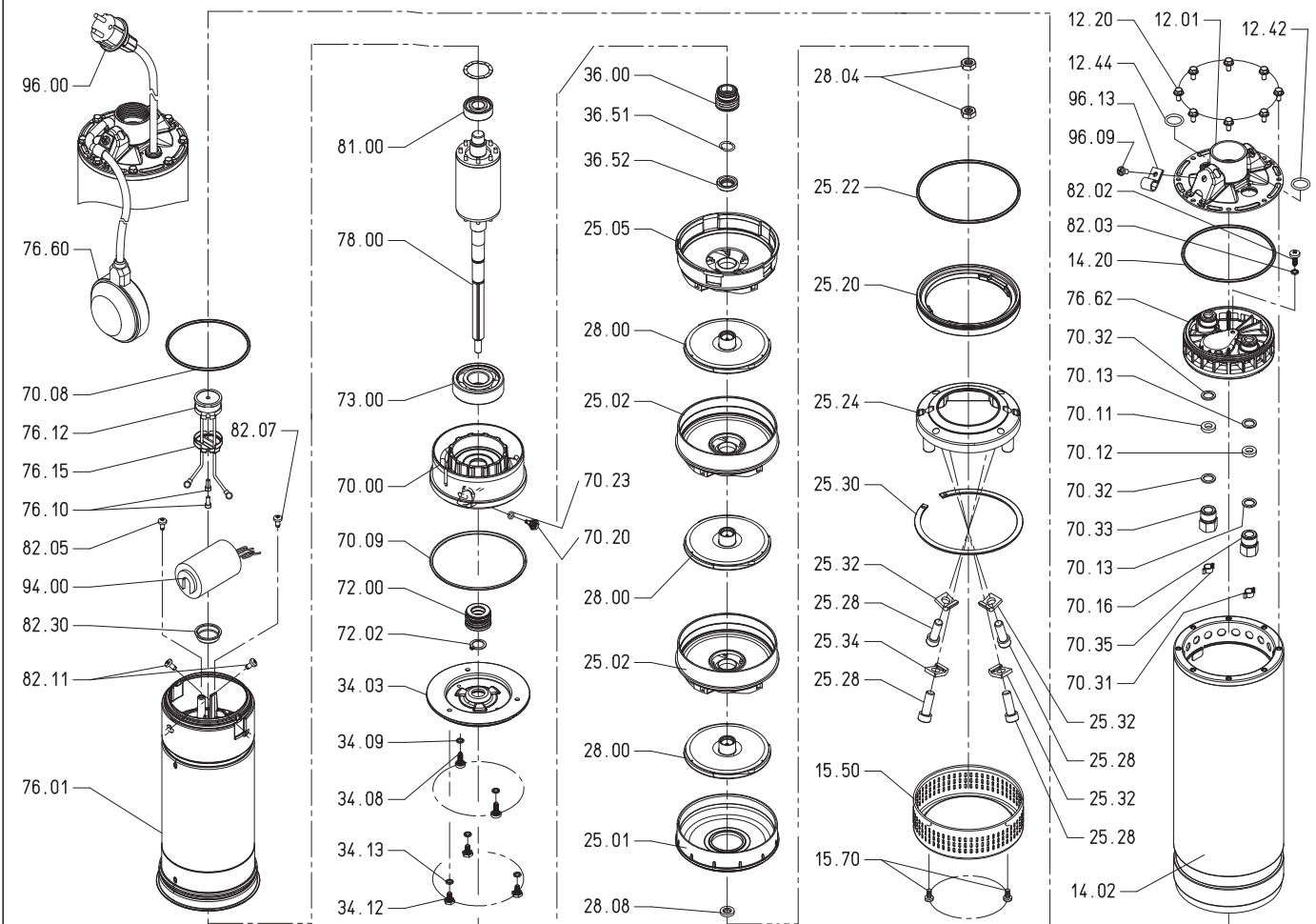


Sezione - Cross section - Schnittzeichnung - Section - Sección - Sektion

MPS 303	MPS 503
MPS 304	MPS 504
MPS 305	MPS 505
MPS 306	MPS 506
MPS 307	MPS 507

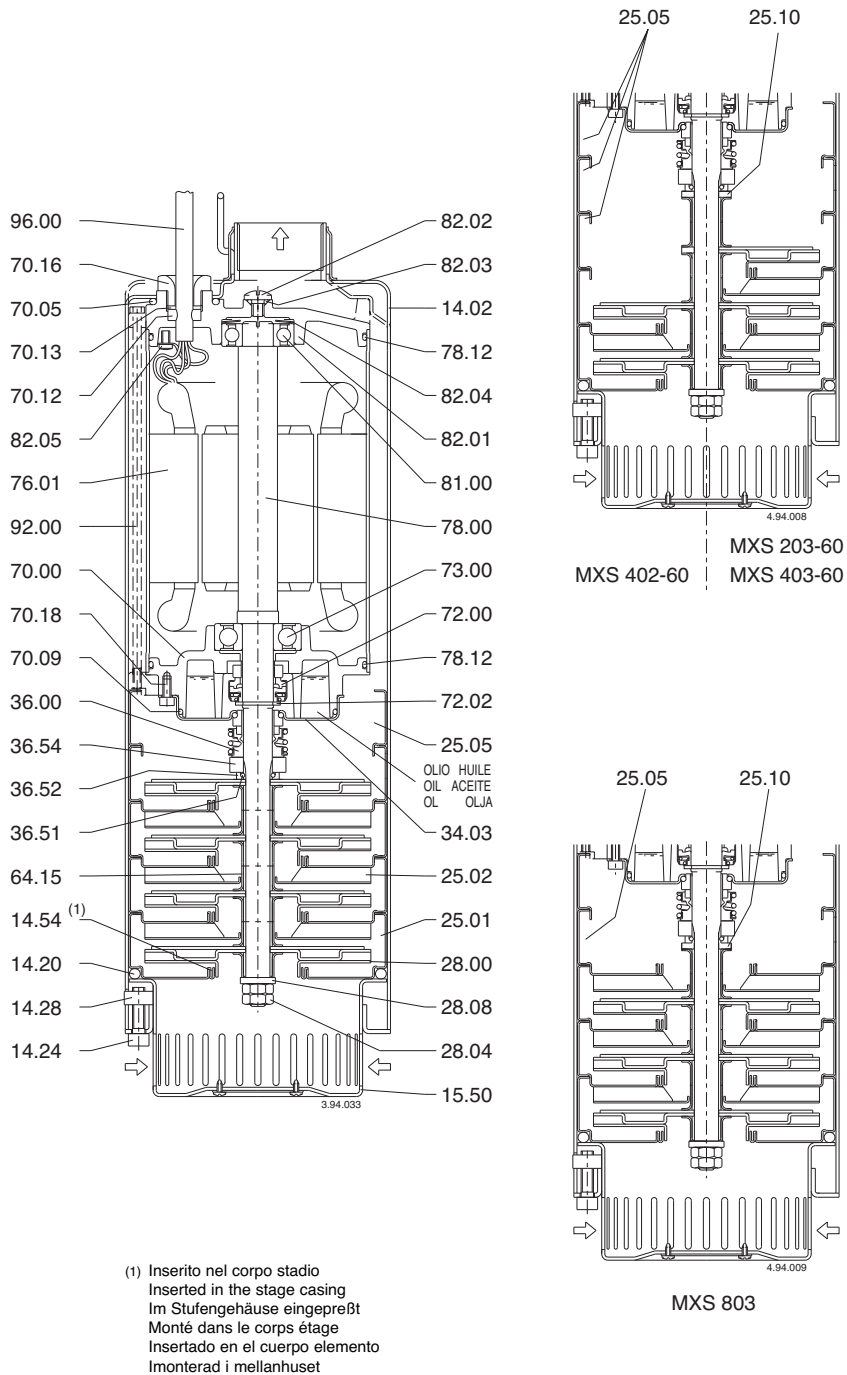
Service kit

Pos	Qtà	Pos	Qtà	Pos	Qtà
12.42	1	64.12	2	72.00	
12.44	1	70.05	1	72.02	
12.47	1	70.08	1	73.00	
14.05	1	70.09	1	76.01	
14.20	1	70.10	1	76.60	
28.04	1	70.11	1	78.12	
34.09	2	70.12	1	81.00	
34.13	3	70.23	3	82.12	
36.00	1	70.31	1	94.00	
61.10	1	70.35	1	96.00	
64.08	1				



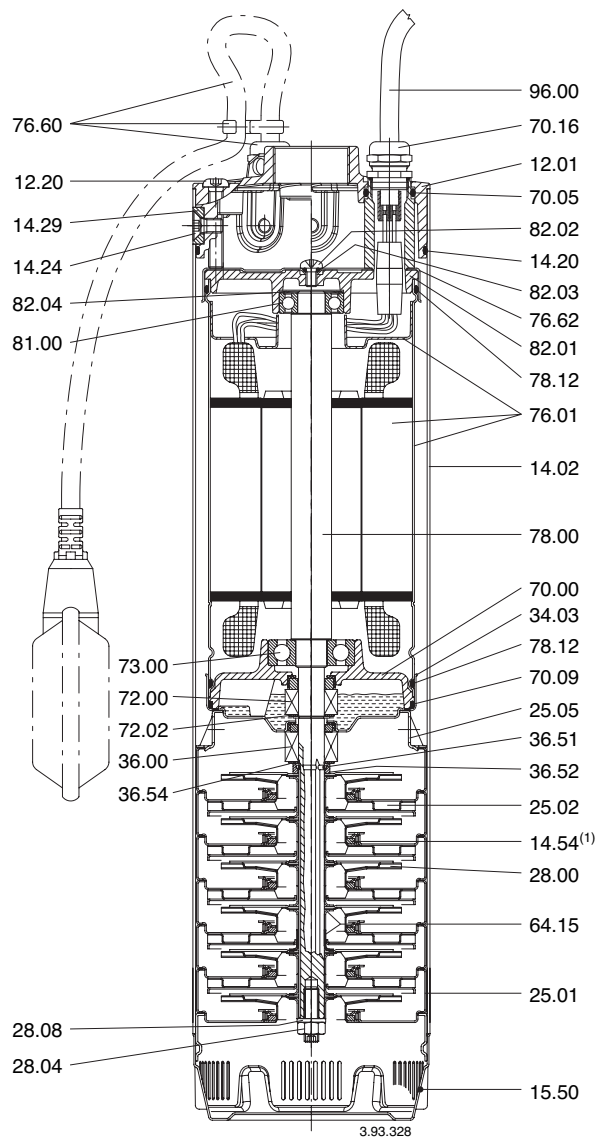
Sezione - Cross section - Schnittzeichnung - Section - Sección - Sektion

MXS 204	MXS 404	MXS 803	MXS 203-60	MXS 402-60
MXS 205	MXS 405	MXS 804	MXS 204-60	MXS 403-60
MXS 206				



Sezione - Cross section - Schnittzeichnung - Section - Sección - Sektion

MXS 207	MXS 406	MXS 805	MXS 205-60	MXS 404-60
MXS 208	MXS 407	MXS 806	MXS 206-60	MXS 405-60
MXS 209	MXS 408	MXS 807	MXS 207-60	MXS 406-60
MXS 210	MXS 409	MXS 808		MXS 407-60
	MXS 410	MXS 809		



Sezione - Cross section - Schnittzeichnung - Section - Sección - Sektion

 MXS 303
 MXS 304
 MXS 305
 MXS 306
 MXS 307
 MXS 308

 MXS 309
 MXS 310

 MXS 503
 MXS 504
 MXS 505
 MXS 506
 MXS 507
 MXS 508

 MXS 509
 MXS 510

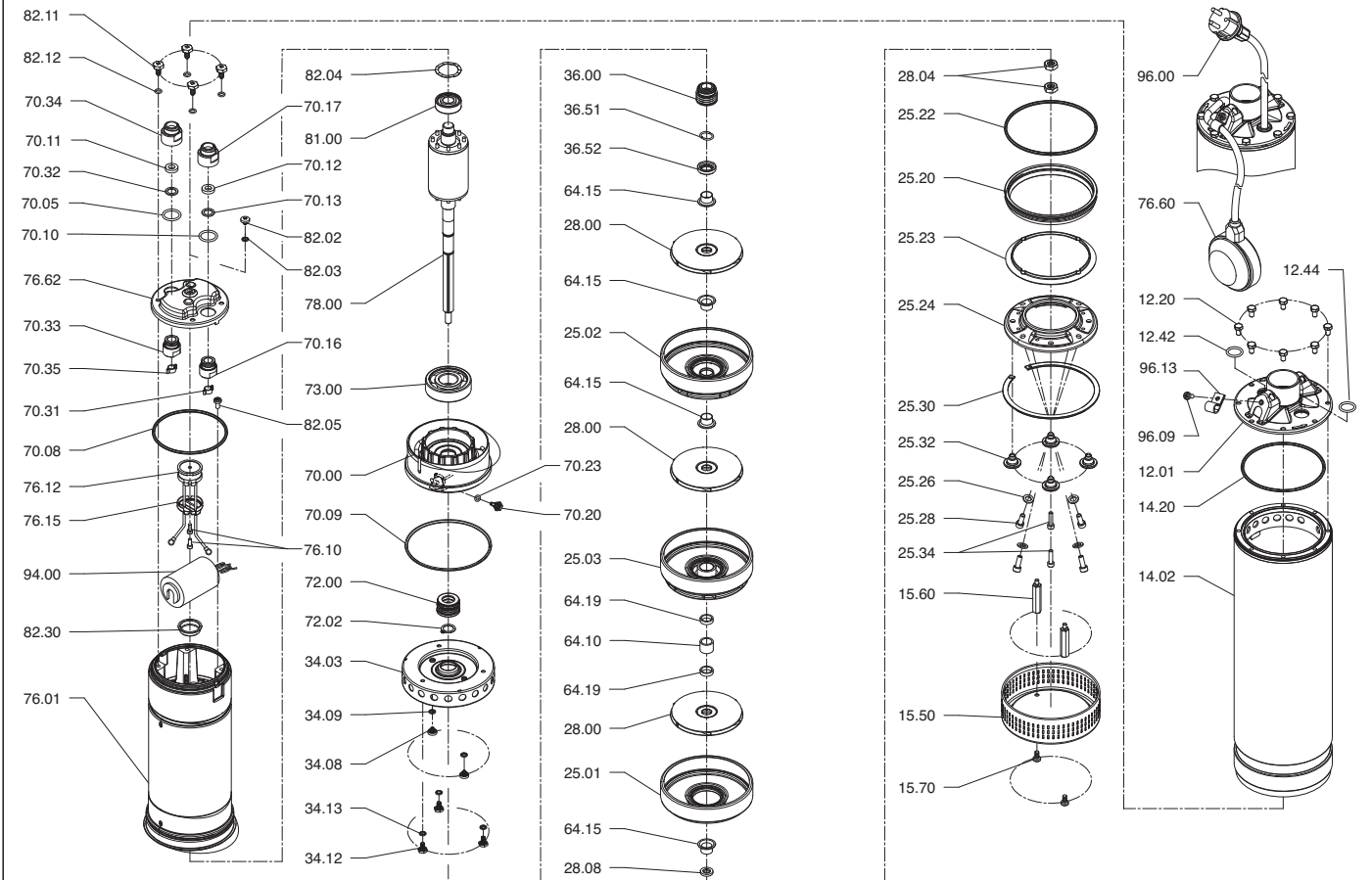
 MXS 903
 MXS 904
 MXS 905
 MXS 906
 MXS 907
 MXS 908

 MXS 909
 MXS 910

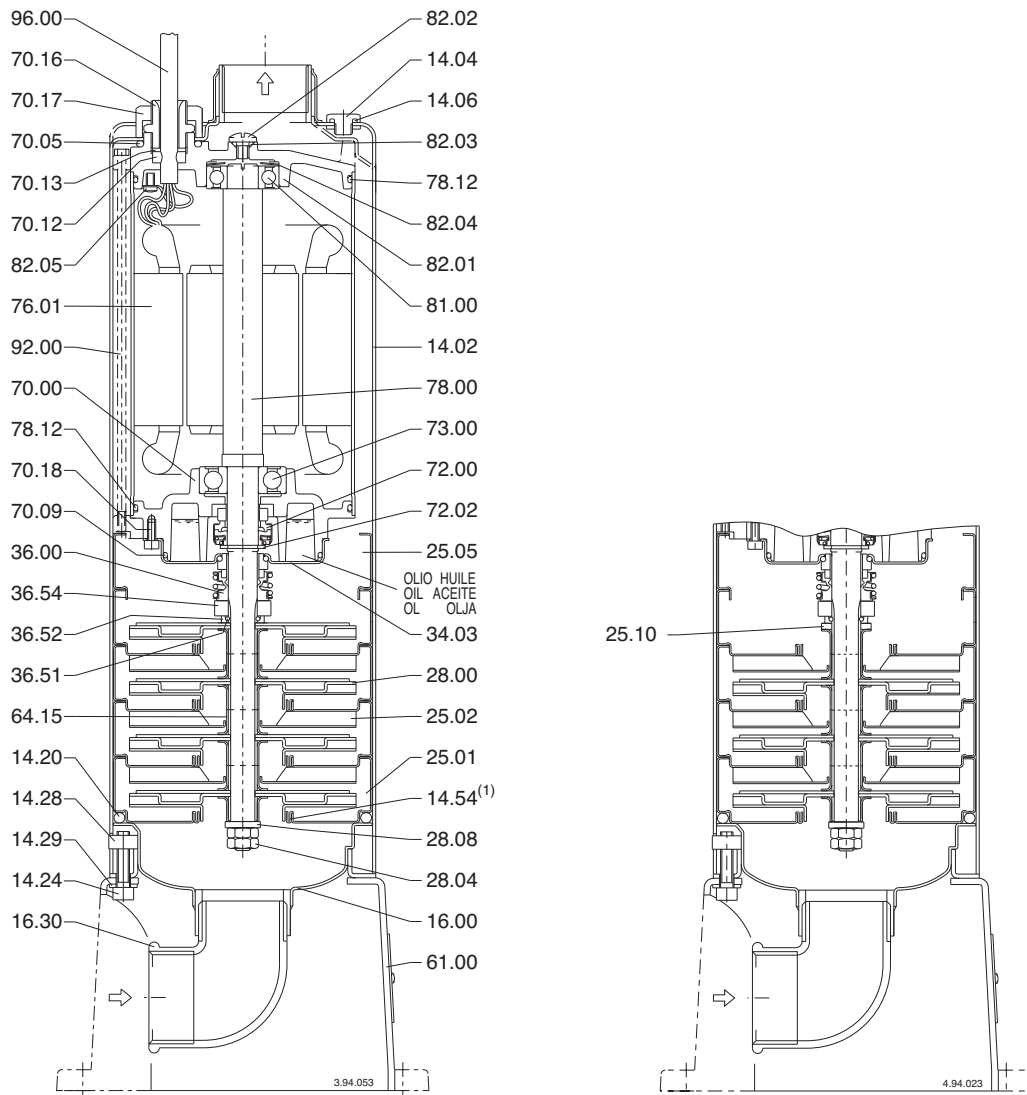
Service kit

Pos	Qtà	Pos	Qtà	Pos	Qtà
12.42	1	64.10*	1	72.00	1
12.44	1	64.12	2	72.02	1
12.47	1	70.05	1	73.00	1
14.05	1	70.08	1	76.01	1
14.20	1	70.09	1	76.60	1
28.04	1	70.10	1	78.12	2
34.09	2	70.11	1	81.00	1
34.13	3	70.12	1	82.12	4
36.00	1	70.23	3	94.00	1
61.10	1	70.31	1	96.00	1
64.08	1	70.35	1		

*per MXS da 6 stadi in su



MXSU 204/A MXSU 404/A MXSU 803/A
 MXSU 205/A MXSU 405/A MXSU 804/A
 MXSU 206/A



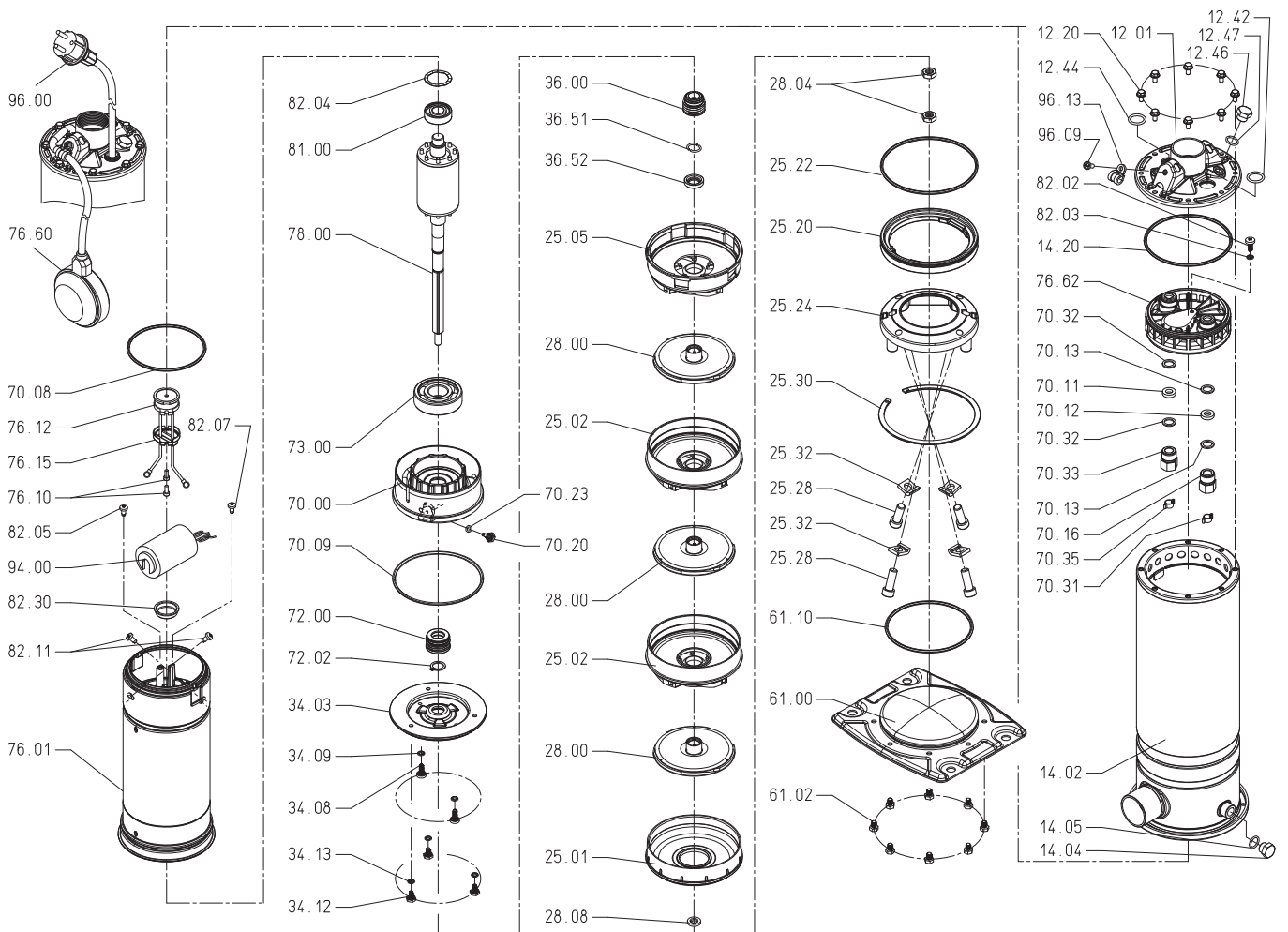
MXSU 803/A

(1) Inserito nel corpo stadio
 Inserted in the stage casing
 Im Stufengehäuse eingepreßt
 Monté dans le corps étage
 Insertado en el cuerpo elemento
 Imonterad i mellanhuset

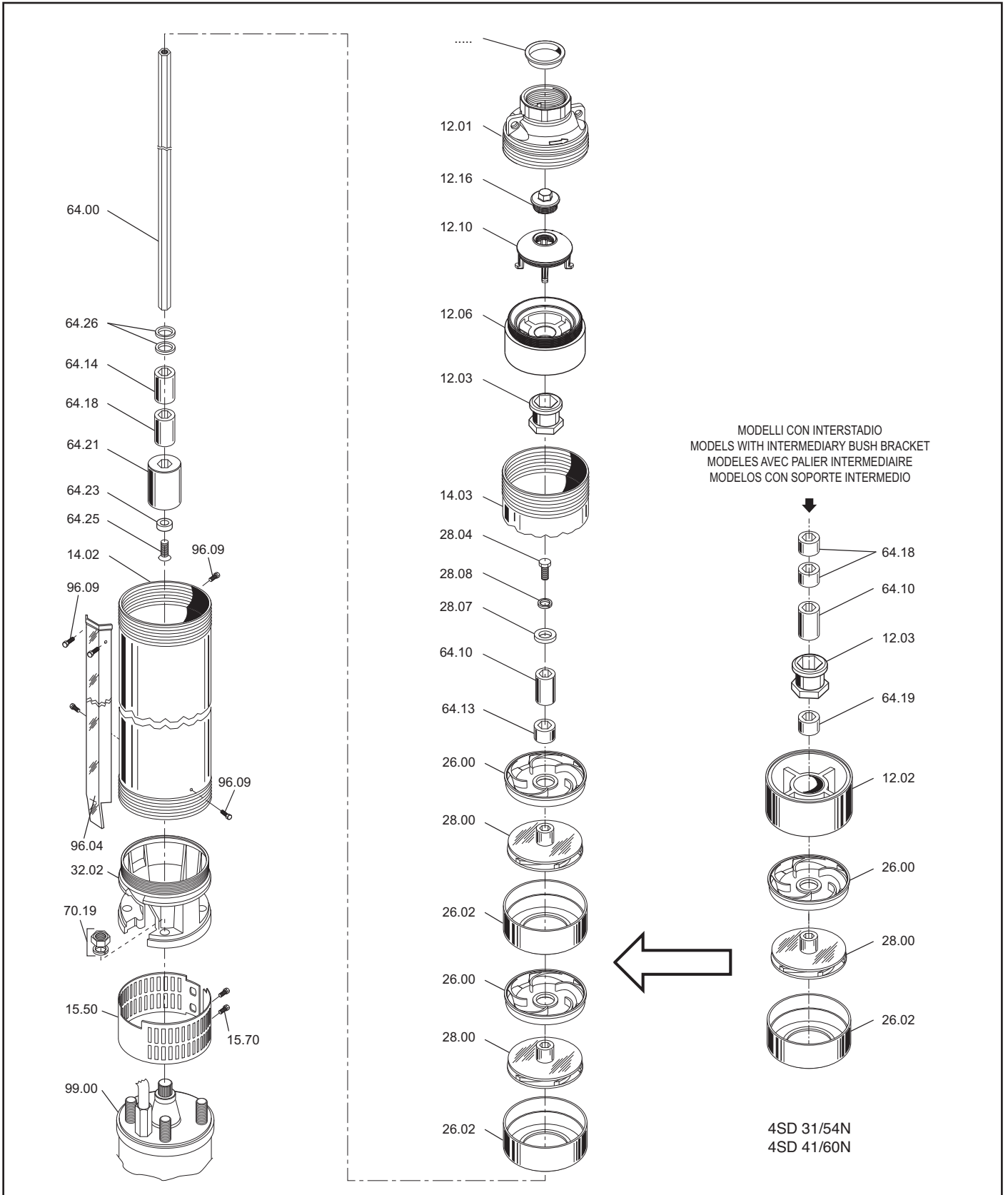
MPSU 304	MPSU 504
MPSU 305	MPSU 505
MPSU 306	MPSU 506
MPSU 307	MPSU 507

Service kit

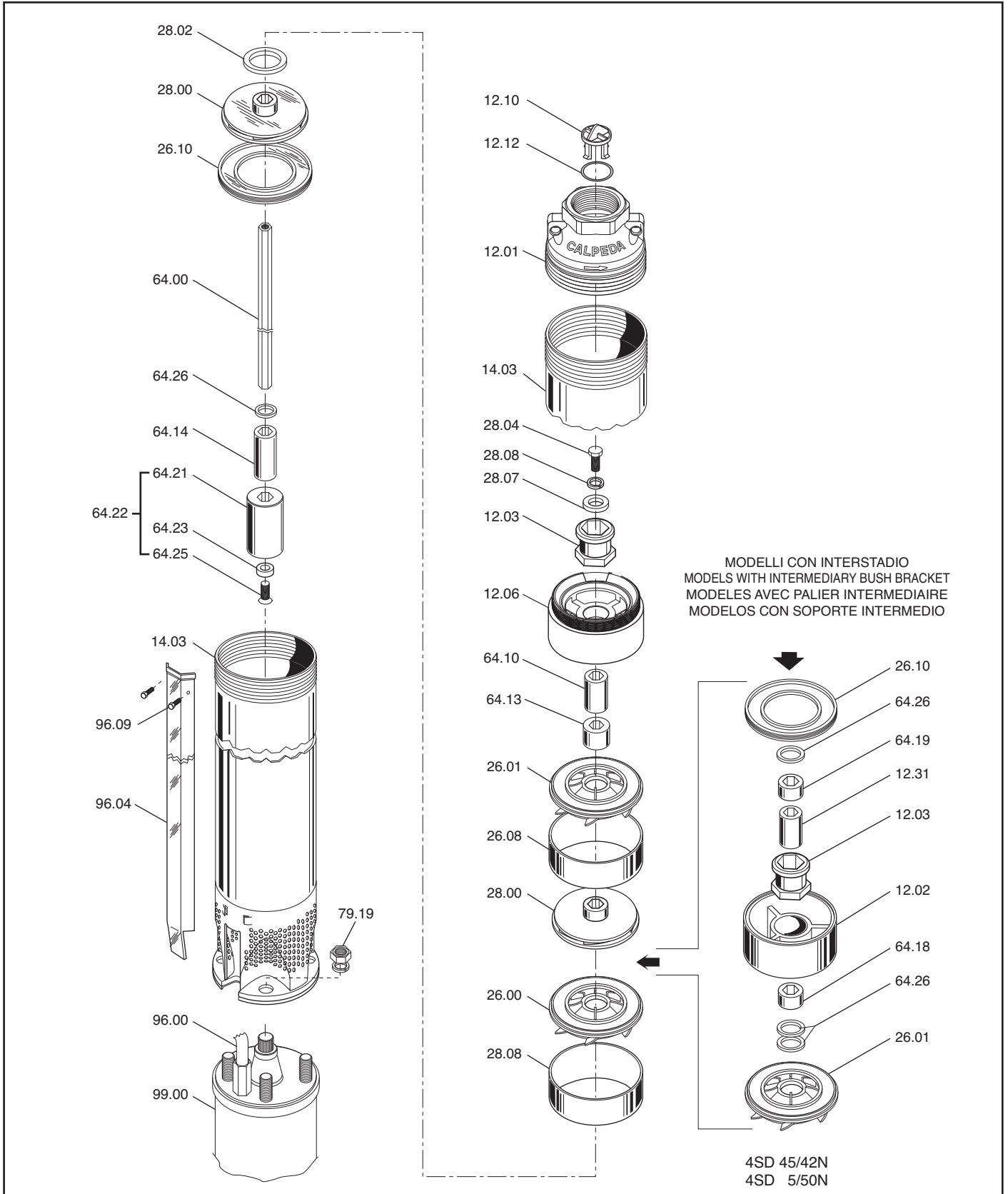
Pos	Qtà	Pos	Qtà	Pos	Qtà
12.42	1	64.12	2	72.00	1
12.44	1	70.05	1	72.02	1
12.47	1	70.08	1	73.00	1
14.05	1	70.09	1	76.01	1
14.20	1	70.10	1	76.60	1
28.04	1	70.11	1	78.12	2
34.09	2	70.12	1	81.00	1
34.13	3	70.23	3	82.12	4
36.00	1	70.31	1	94.00	1
61.10	1	70.35	1	96.00	1
64.08	1				



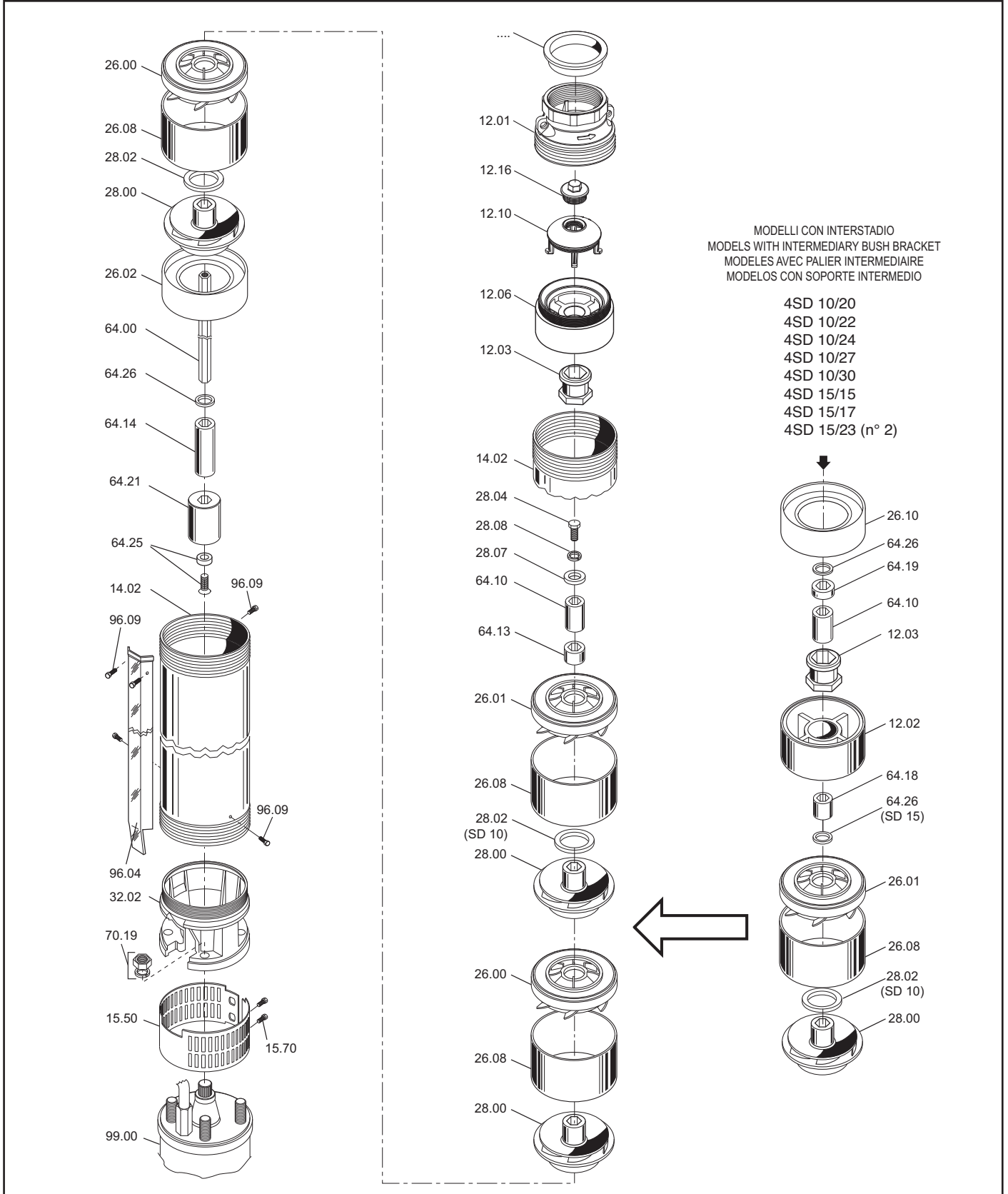
4SD 31
4SD 41



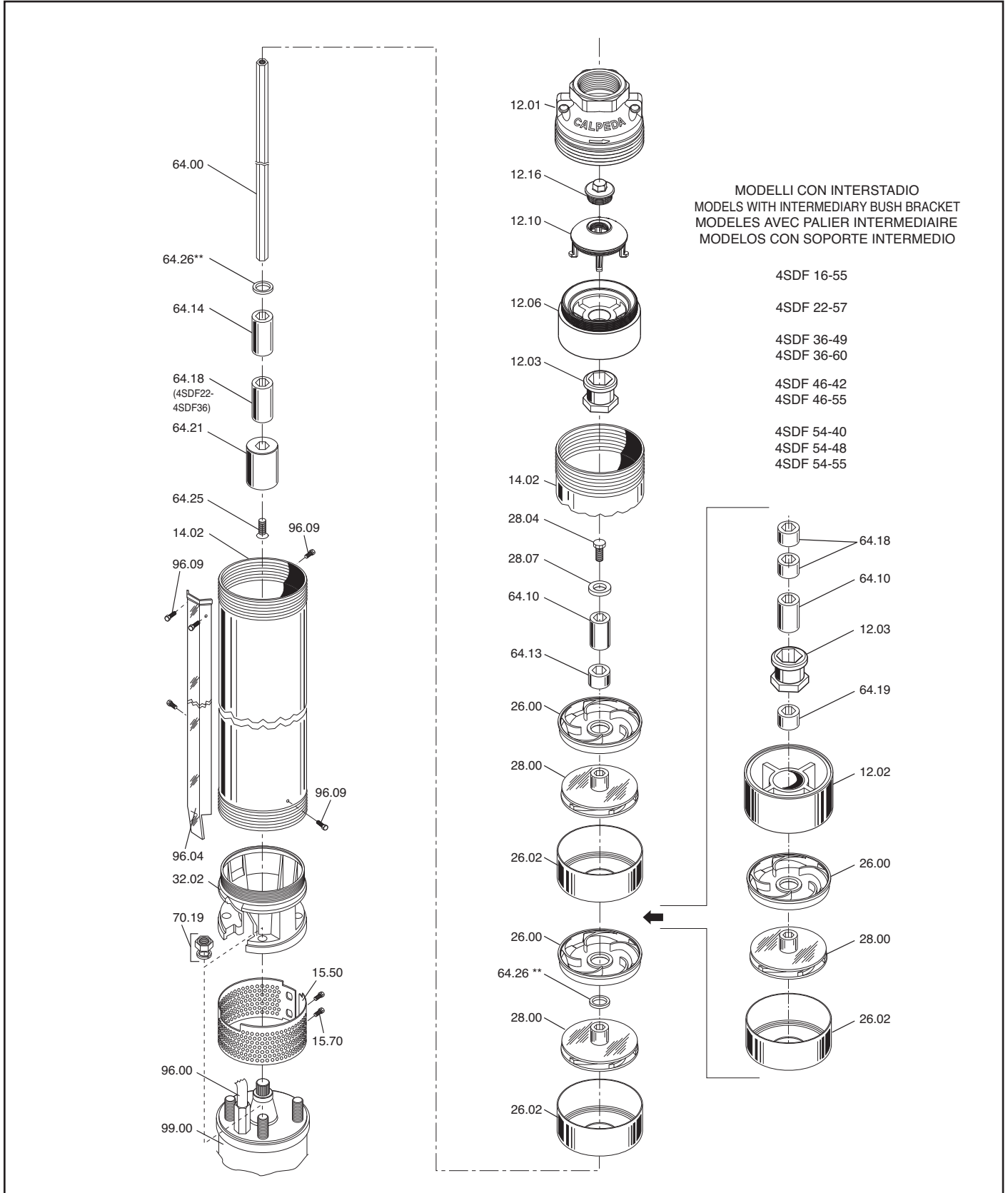
4SD 45
4SD 5
4SD 75



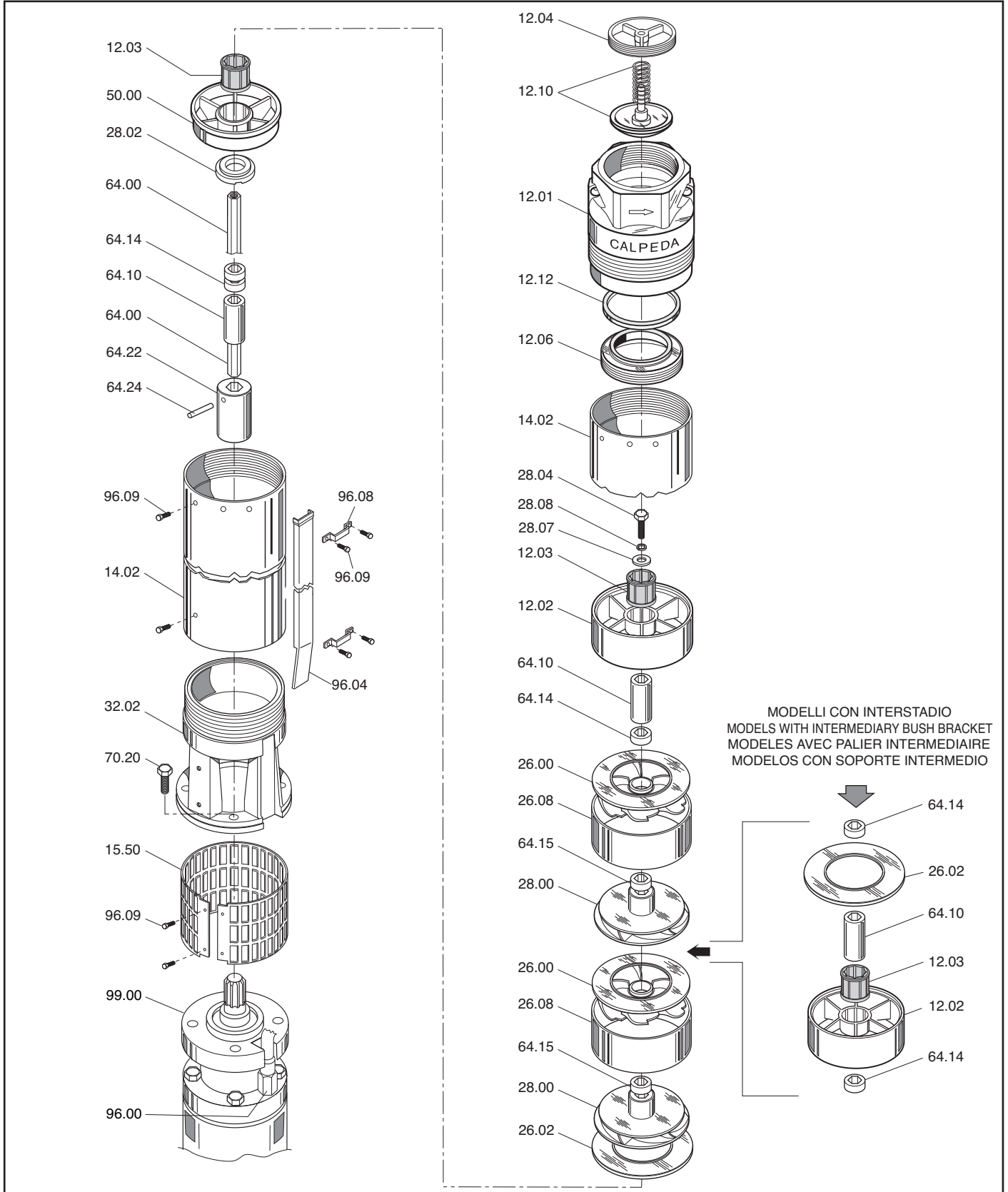
4SD 8
4SD 10
4SD 15



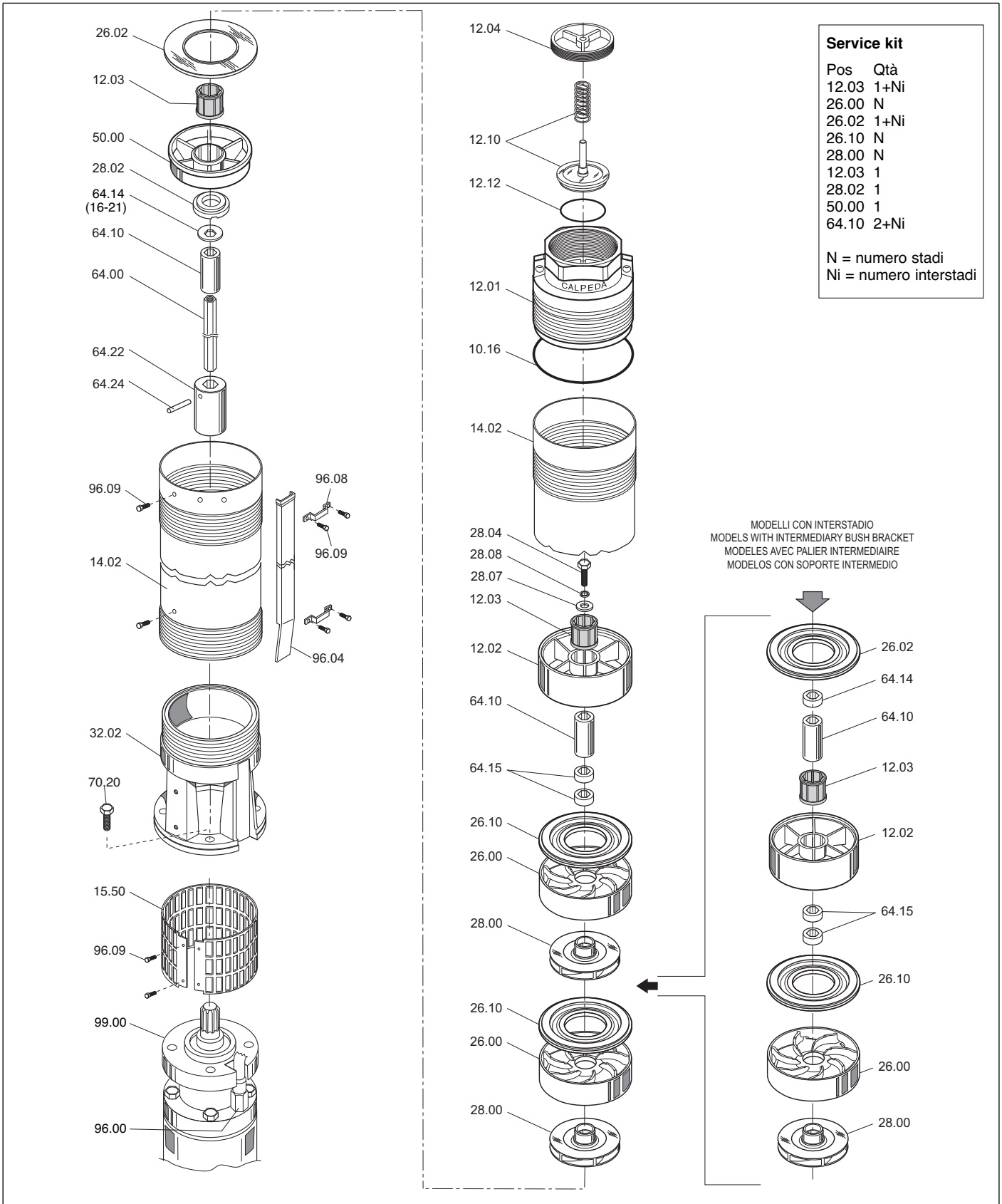
4SDF 16 4SDF 36
 4SDF 22 4SDF 46
 4SDF 36 4SDF 54



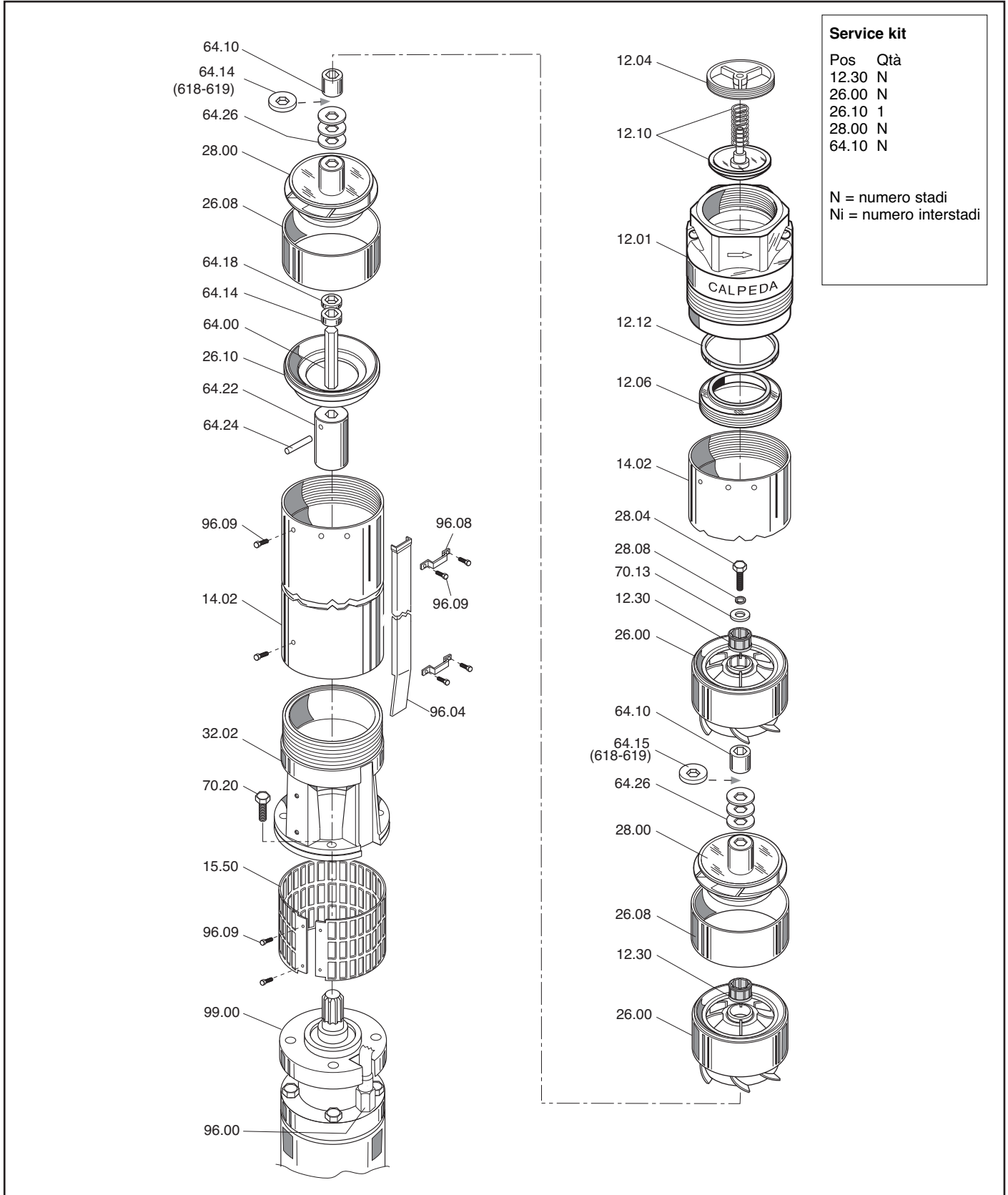
6SD 7
6SD 9
6SD 10
6SD 15



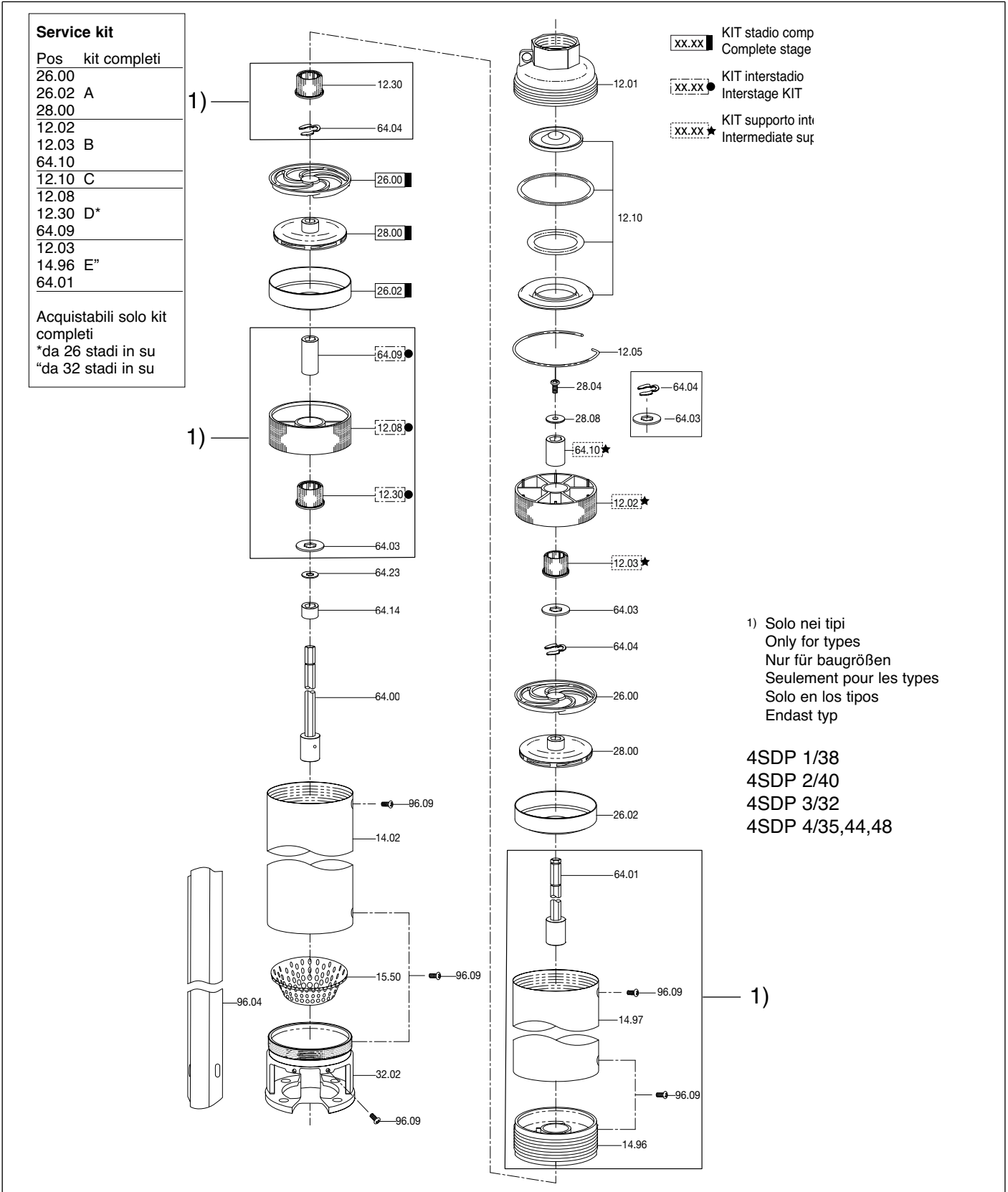
Sezione - Cross section - Schnittzeichnung - Section - Sección - Sektion

 SDN 12
 SDN 16
 SDN 21


6SD 18
6SD 19
6SD 20



Sezione - Cross section - Schnittzeichnung - Section - Sección - Sektion

 4SDP 1
 4SDP 2
 4SDP 3
 4SDP 4


4SDP 6
4SDP 8

**4SDP 6
Service kit**

Pos kit completi

26.00
26.02 A
28.00
12.10 C
12.08
12.30 D*
64.09
12.03
14.96 E"
64.01

Acquistabili solo kit completi

*da 20 stadi in su
"da 34 stadi in su

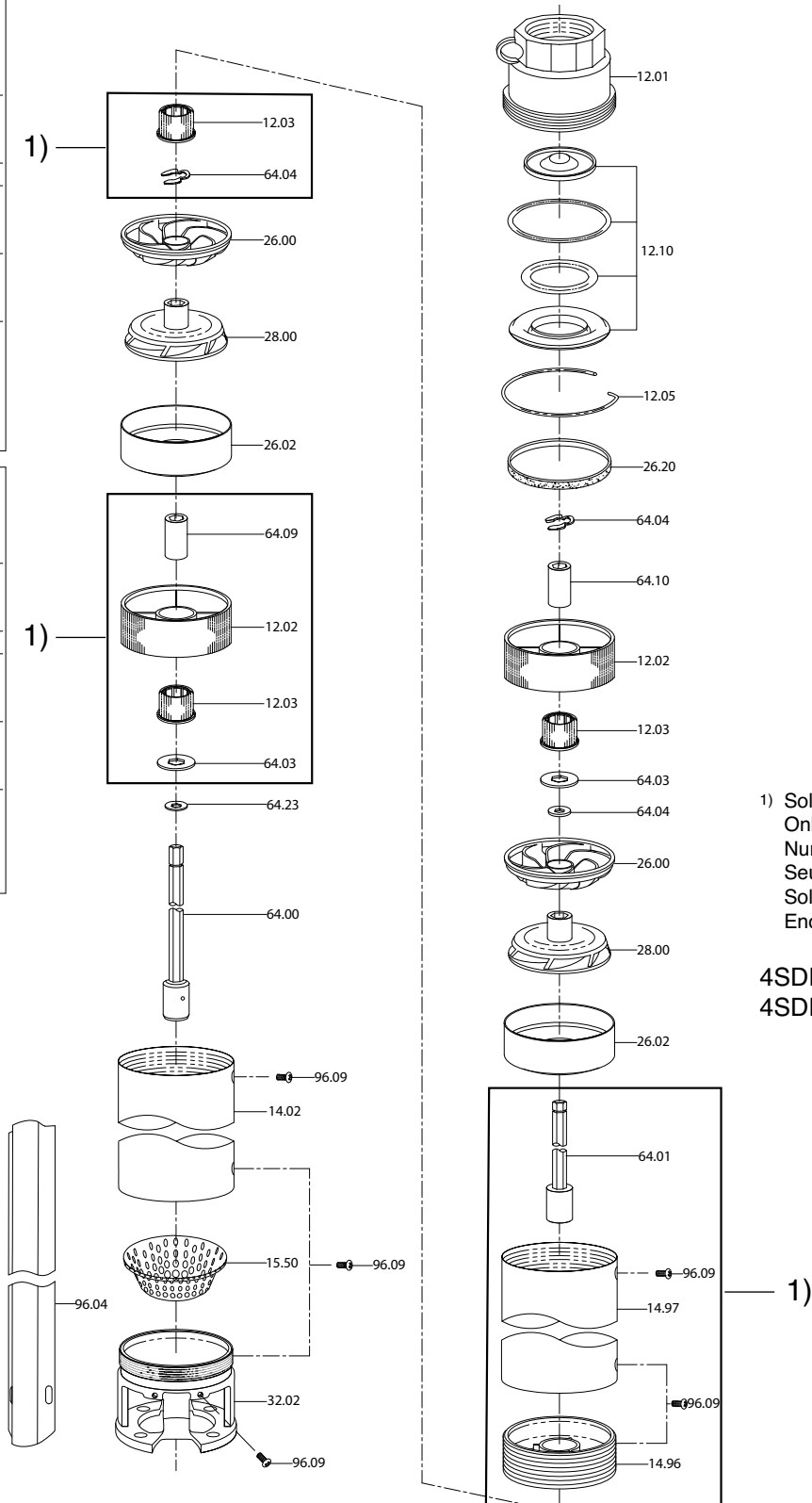
**4SDP 8
Service kit**

Pos kit completi

26.00
26.02 A
28.00
12.10 C
12.08
12.30 D
64.09
12.03
14.96 E"
64.01

Acquistabili solo kit completi

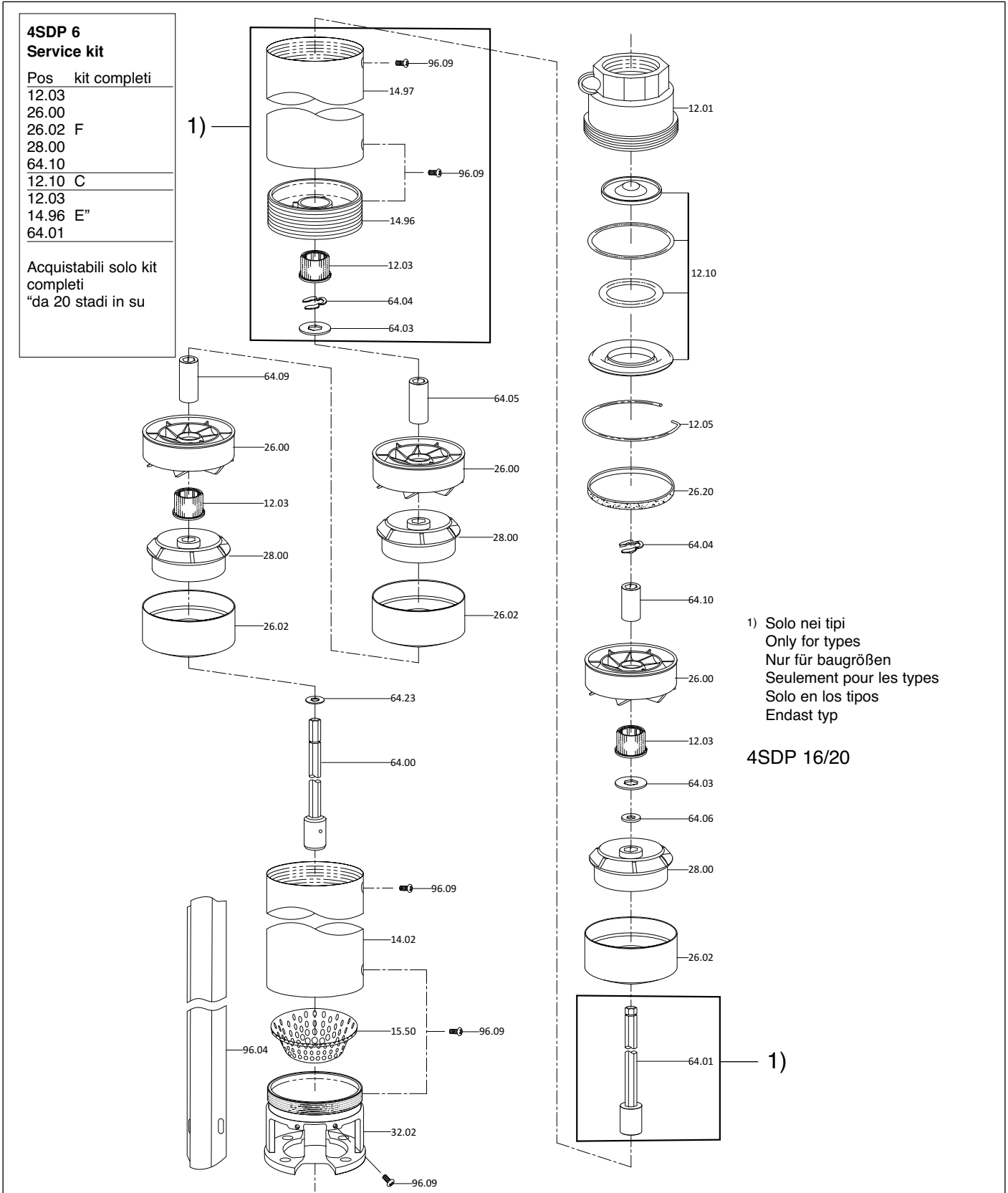
"da 32 stadi in su



1) Solo nei tipi
Only for types
Nur für baugrößen
Seulement pour les types
Solo en los tipos
Endast typ

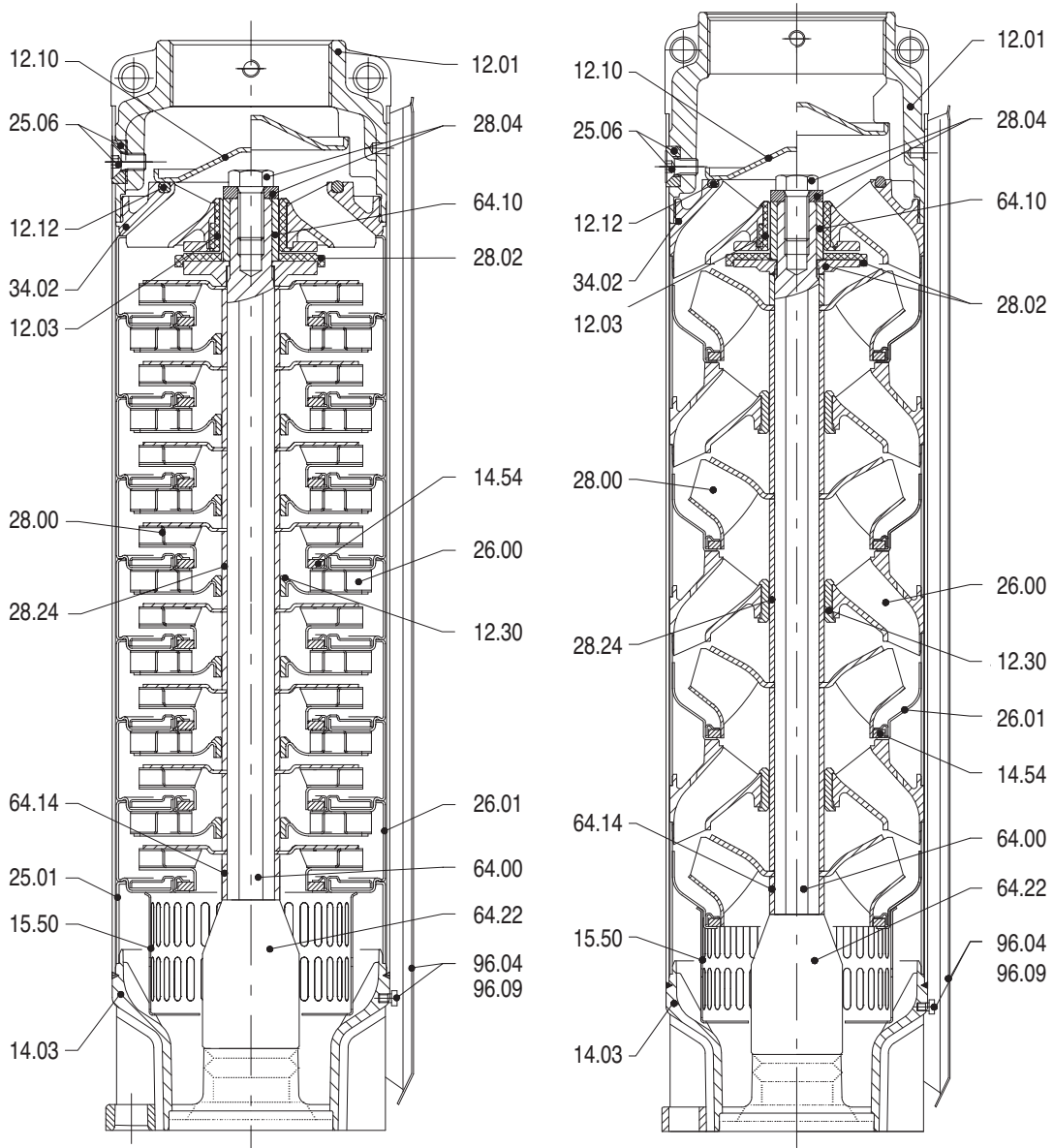
4SDP 6/34,36,49
4SDP 8/32

4SDP 16



6SDX 13 6SDX 45
 6SDX 18 6SDX 60
 6SDX 27

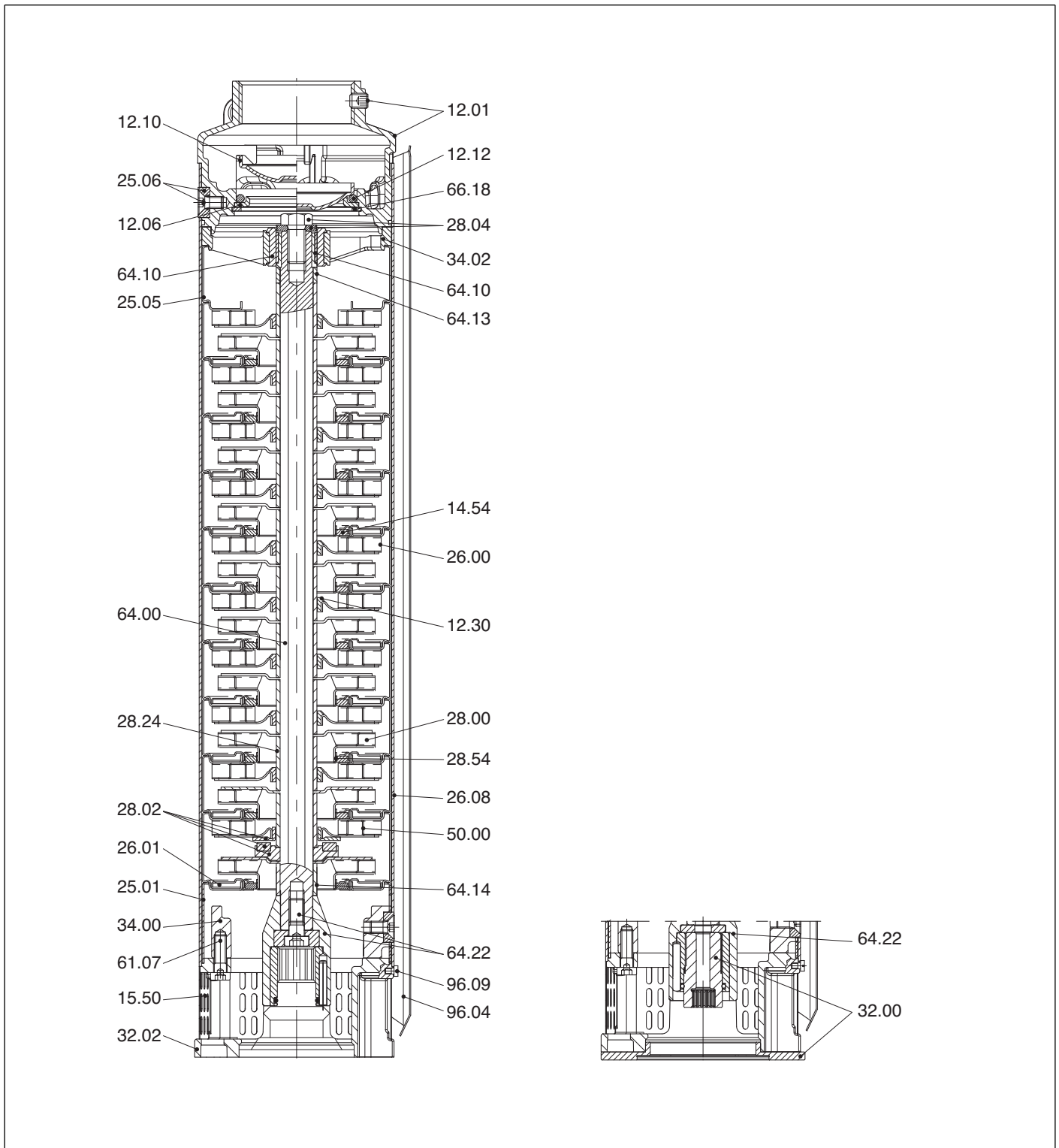
fino a dicembre 2010



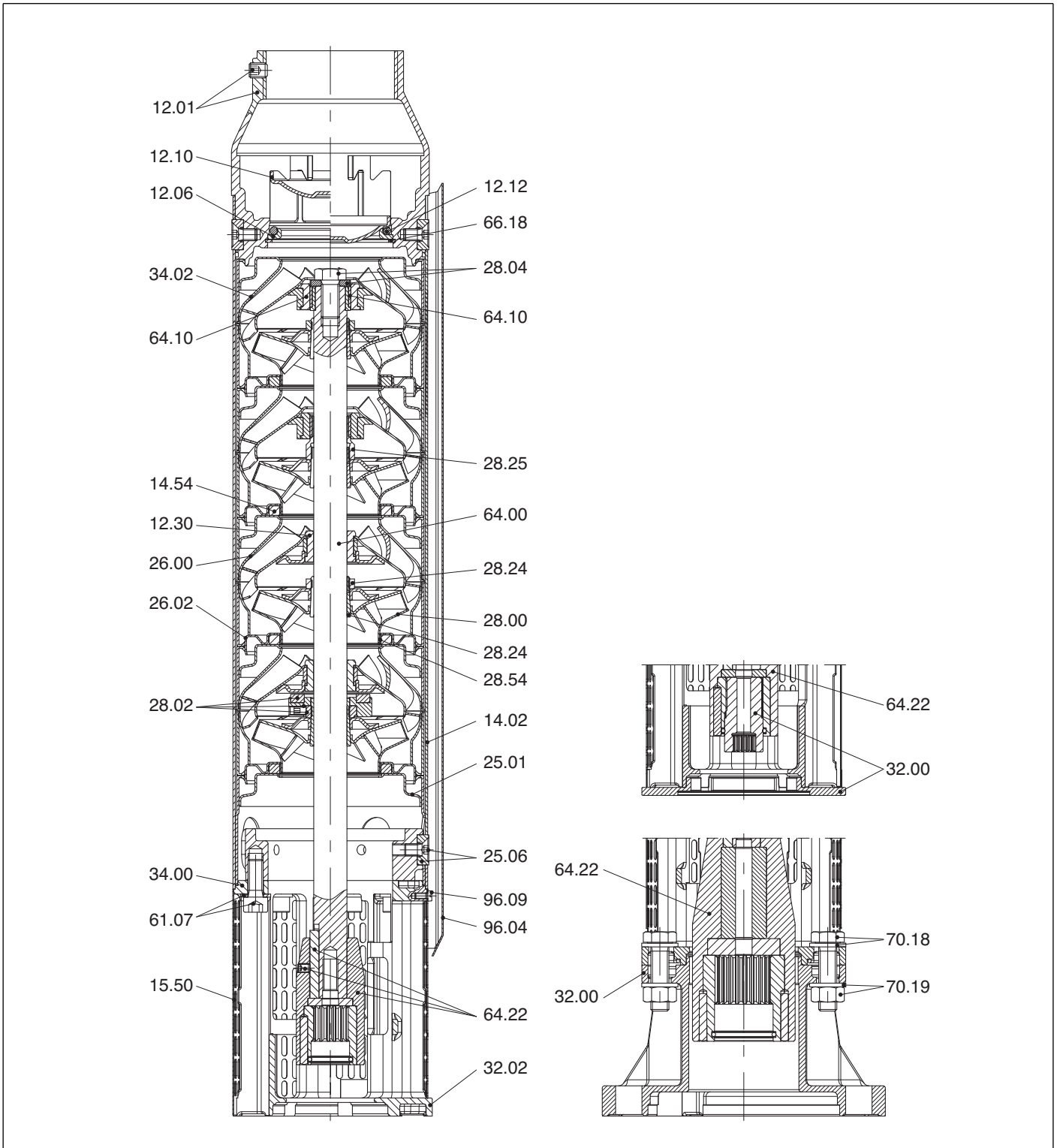
6SDX 13
 6SDX 18
 6SDX 27
 Radial flow pump

6SDX 45
 6SDX 60
 Mixed flow pump

6SDX 13
6SDX 18
6SDX 27

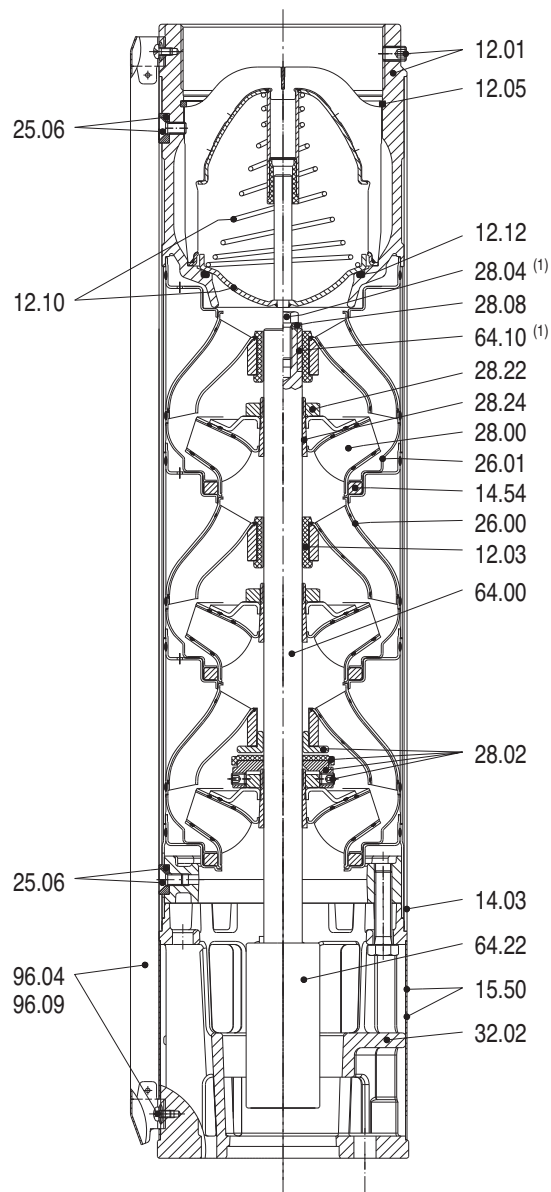


6SDX 30
6SDX 46
6SDX 65



8SDX 78

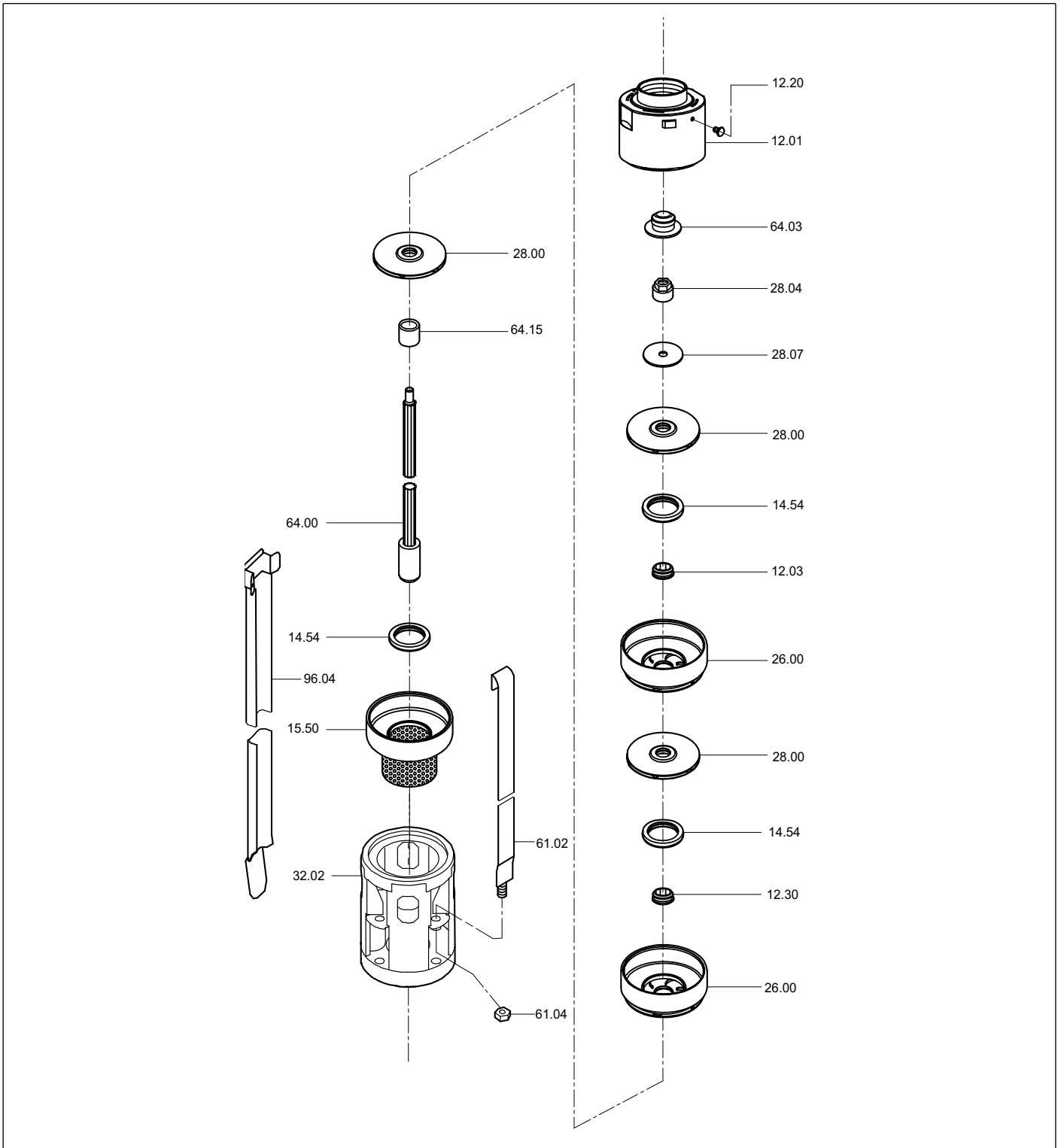
8SDX 97



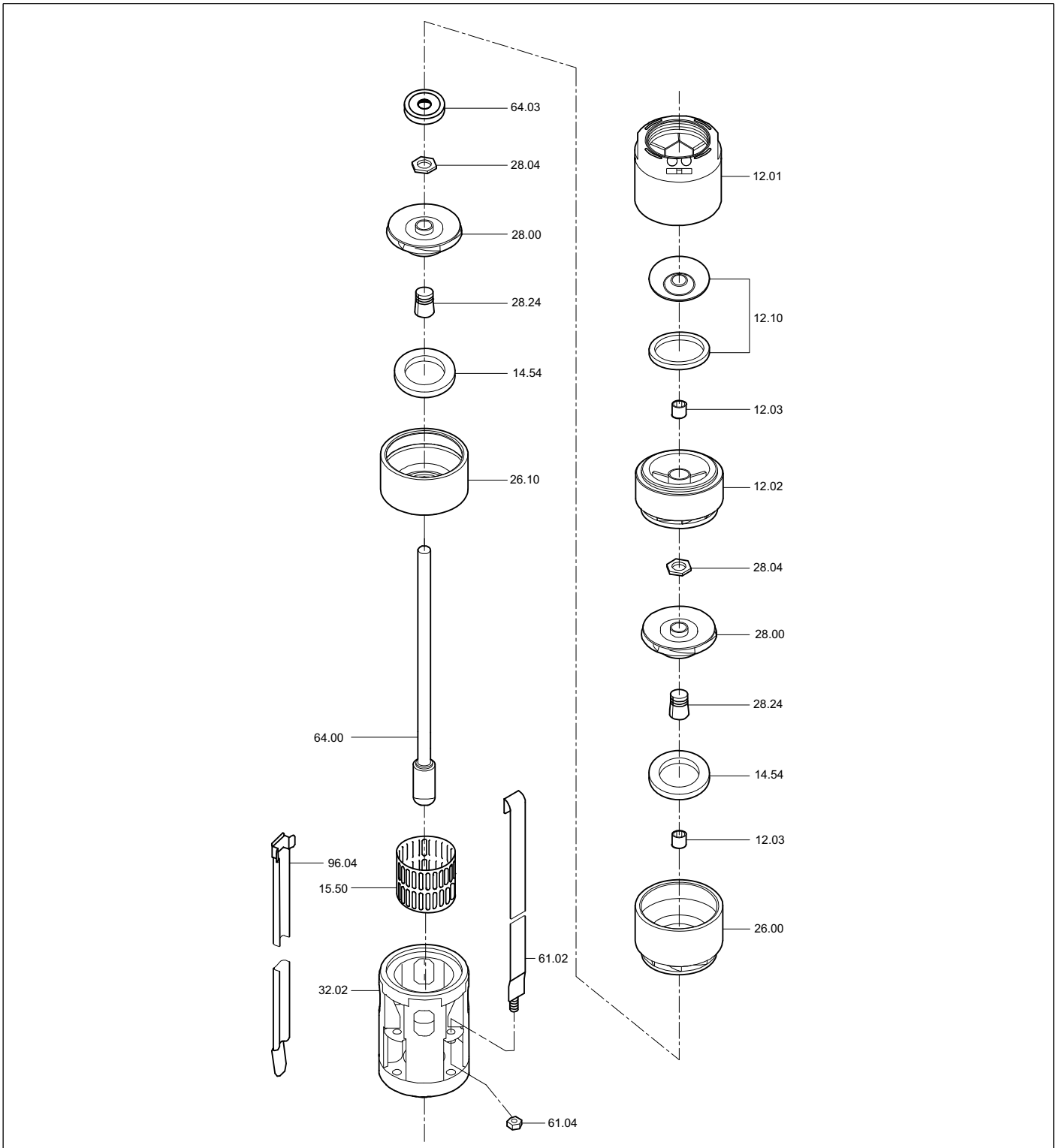
1) Solo nei tipi
 Only for types
 Nur für baugrößen
 Seulement pour les types
 Solo en los tipos
 Endast typ

8SDX 78/16
 8SDX 97/16

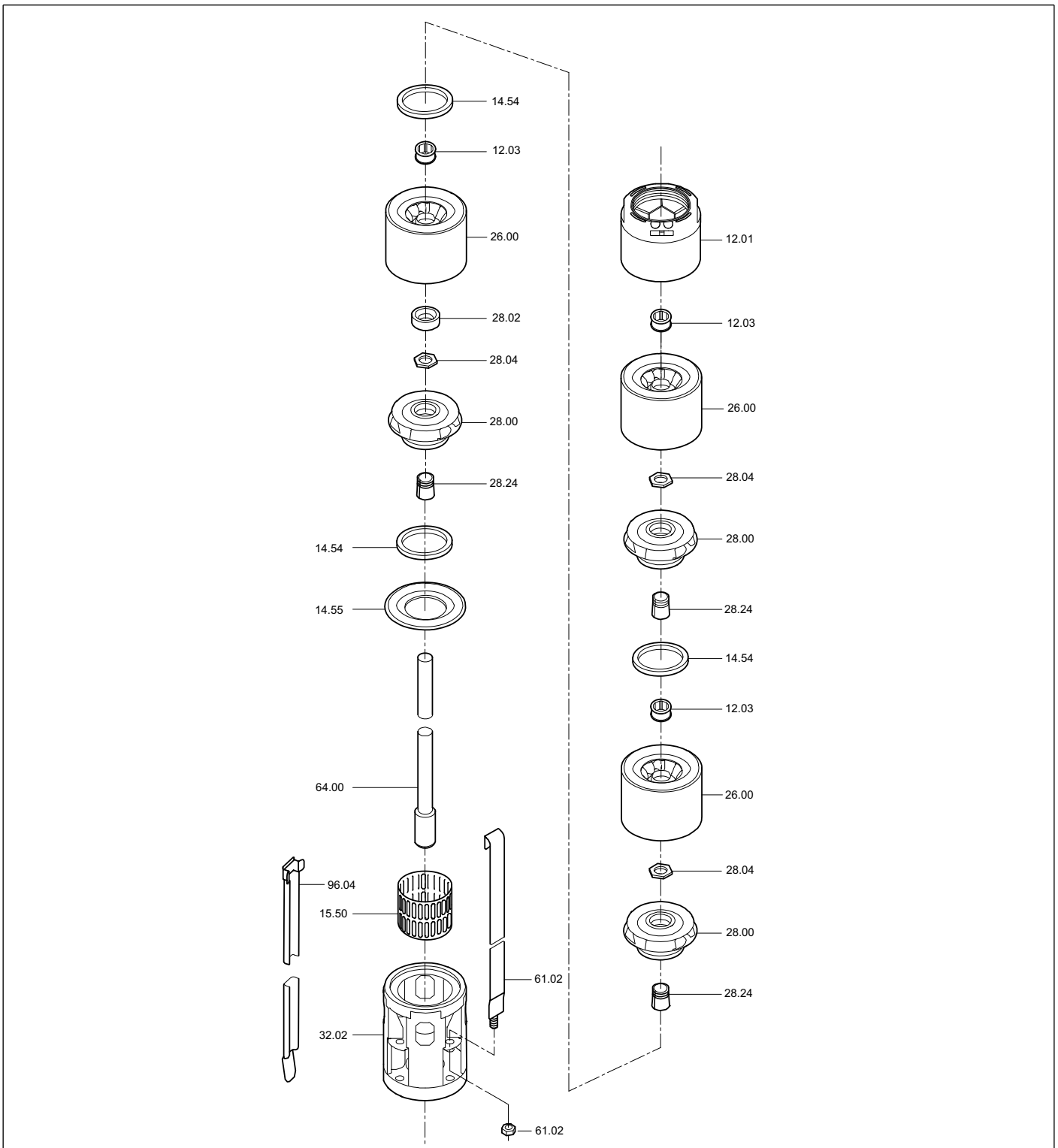
4SDX 1
 4SDX 2
 4SDX 3
 4SDX 5



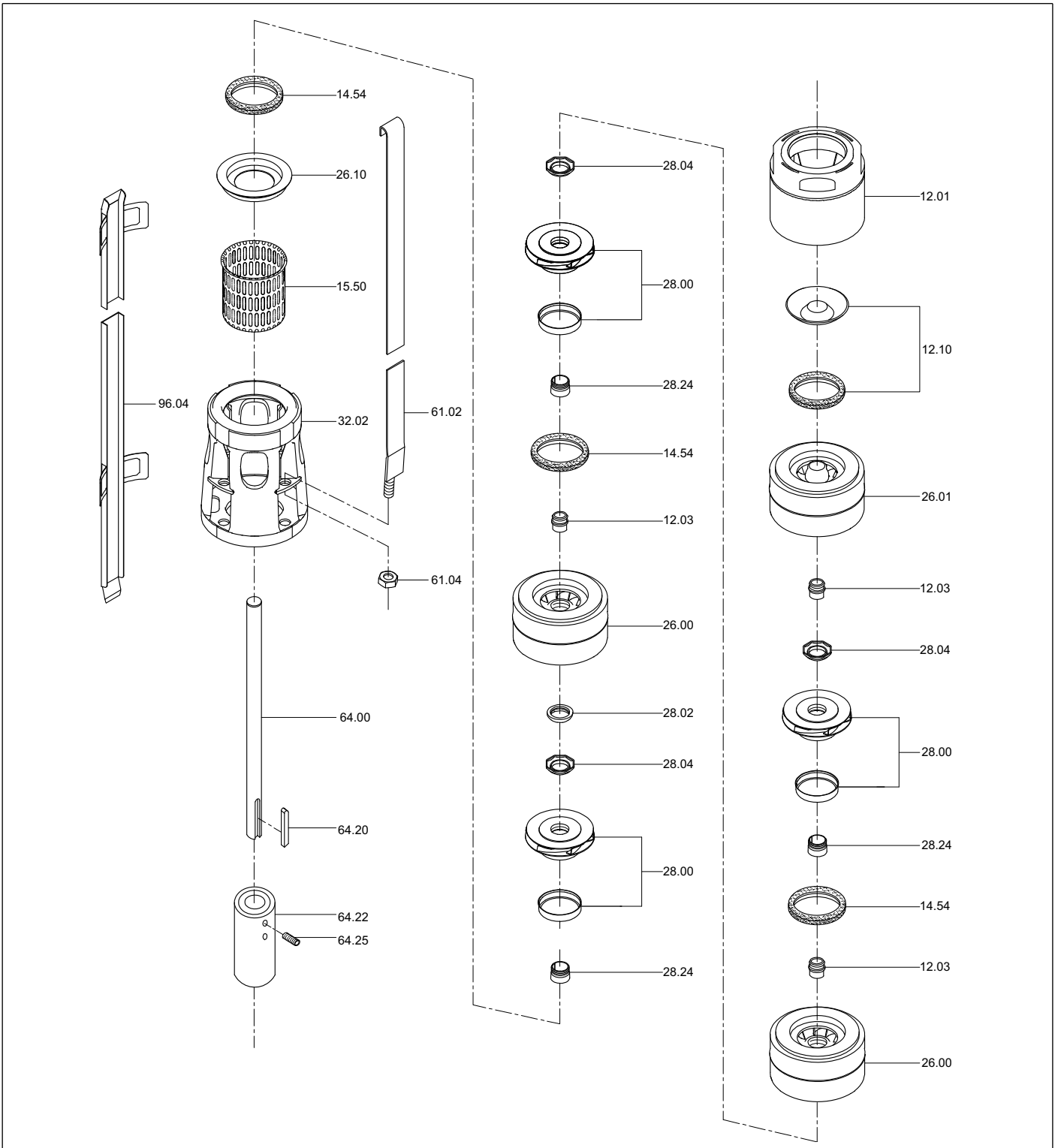
4SDX 8



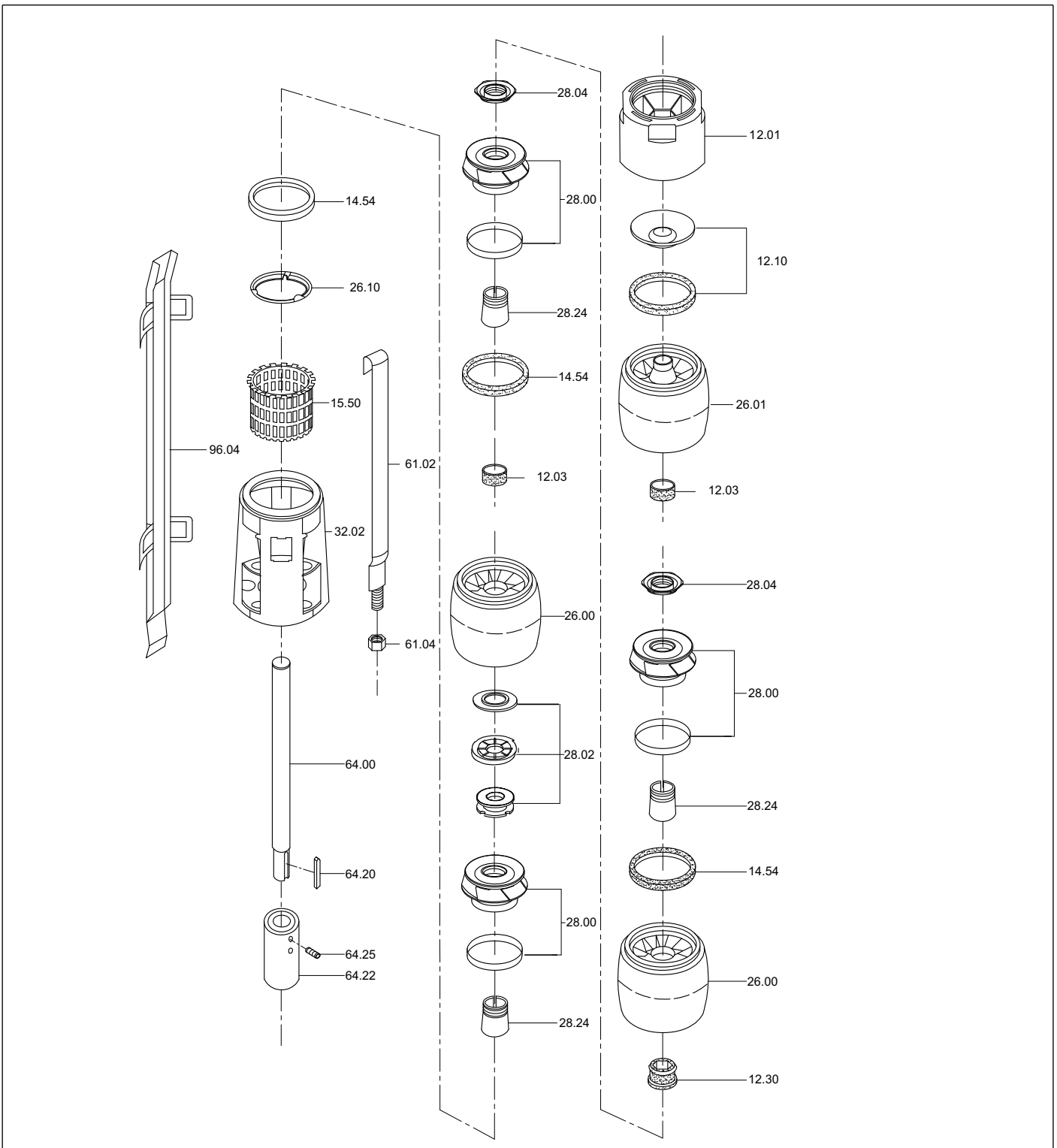
4SDX 12



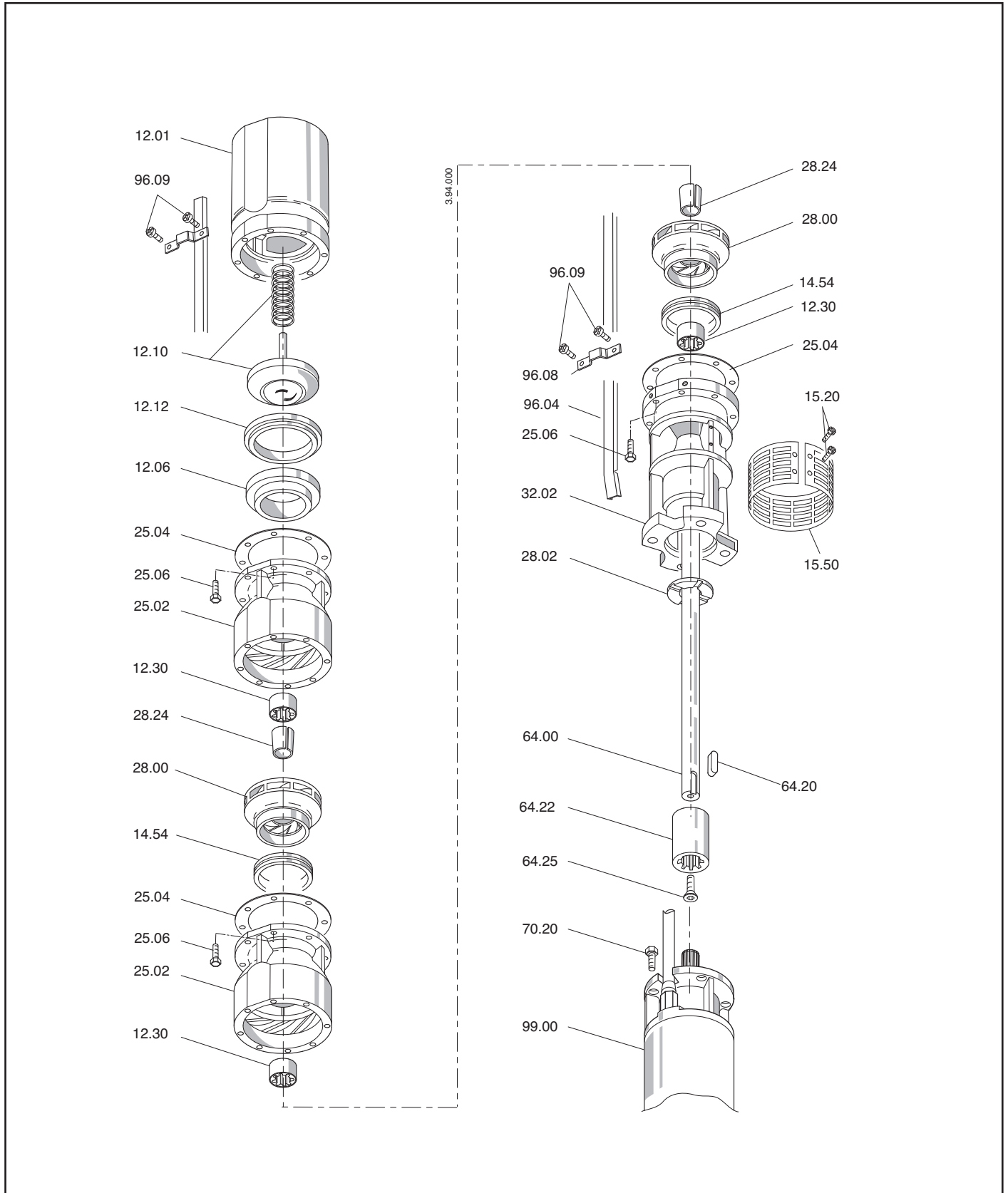
6SDX 16



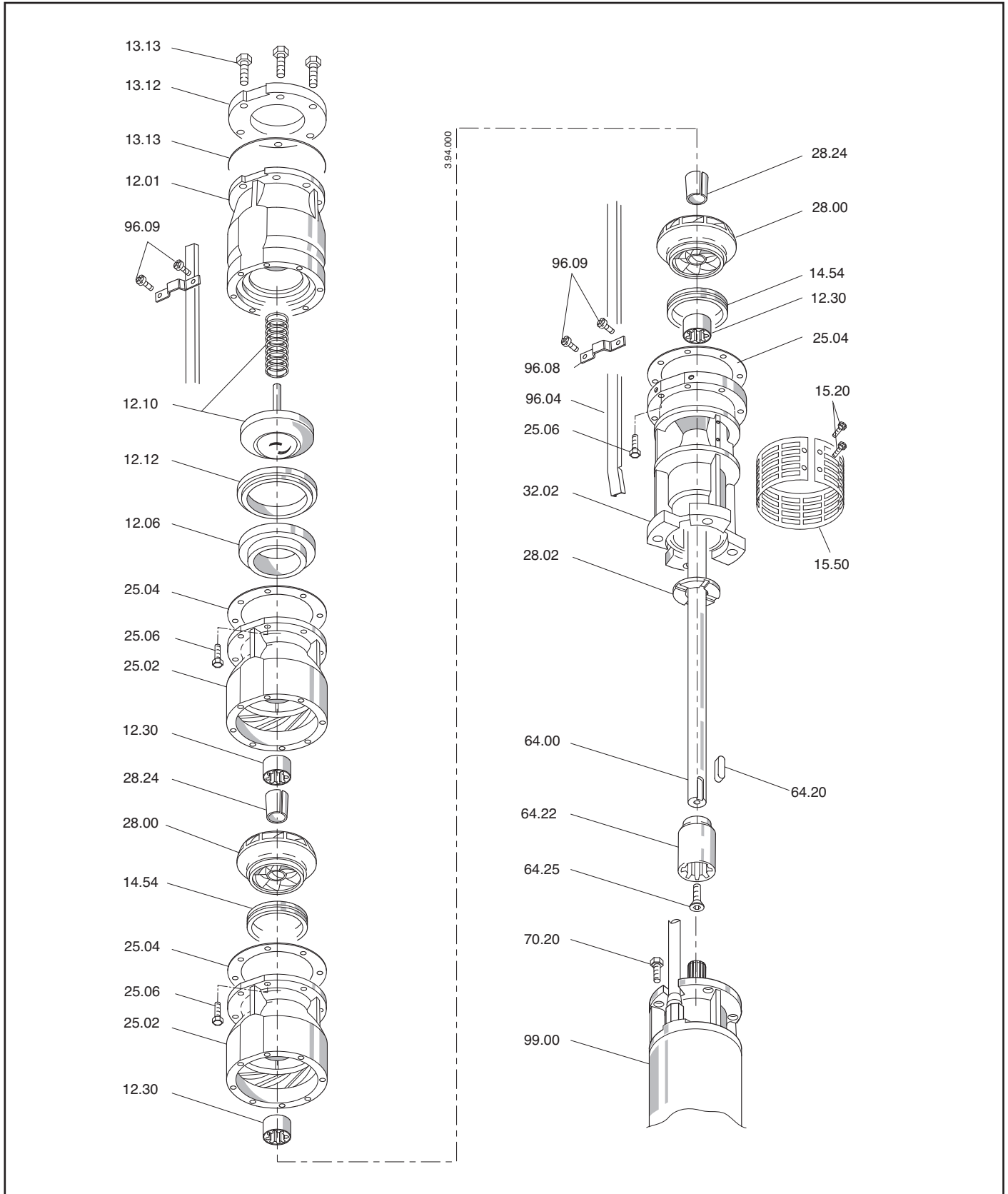
6SDX 27
6SDX 45
6SDX 60



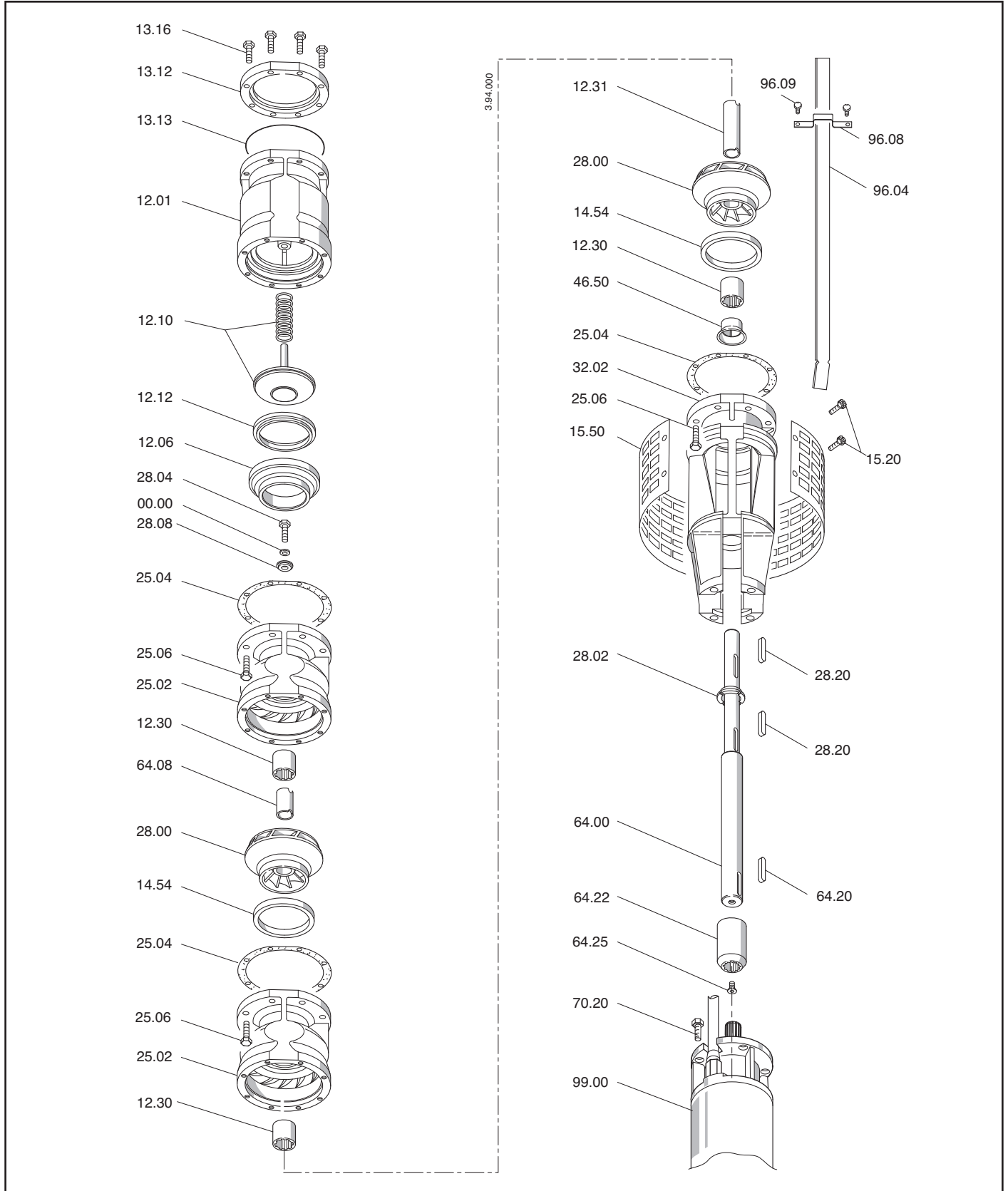
6SDS 32
6SDS 42
6SDS 58



8SDS 70
8SDS 100
8SDS 150



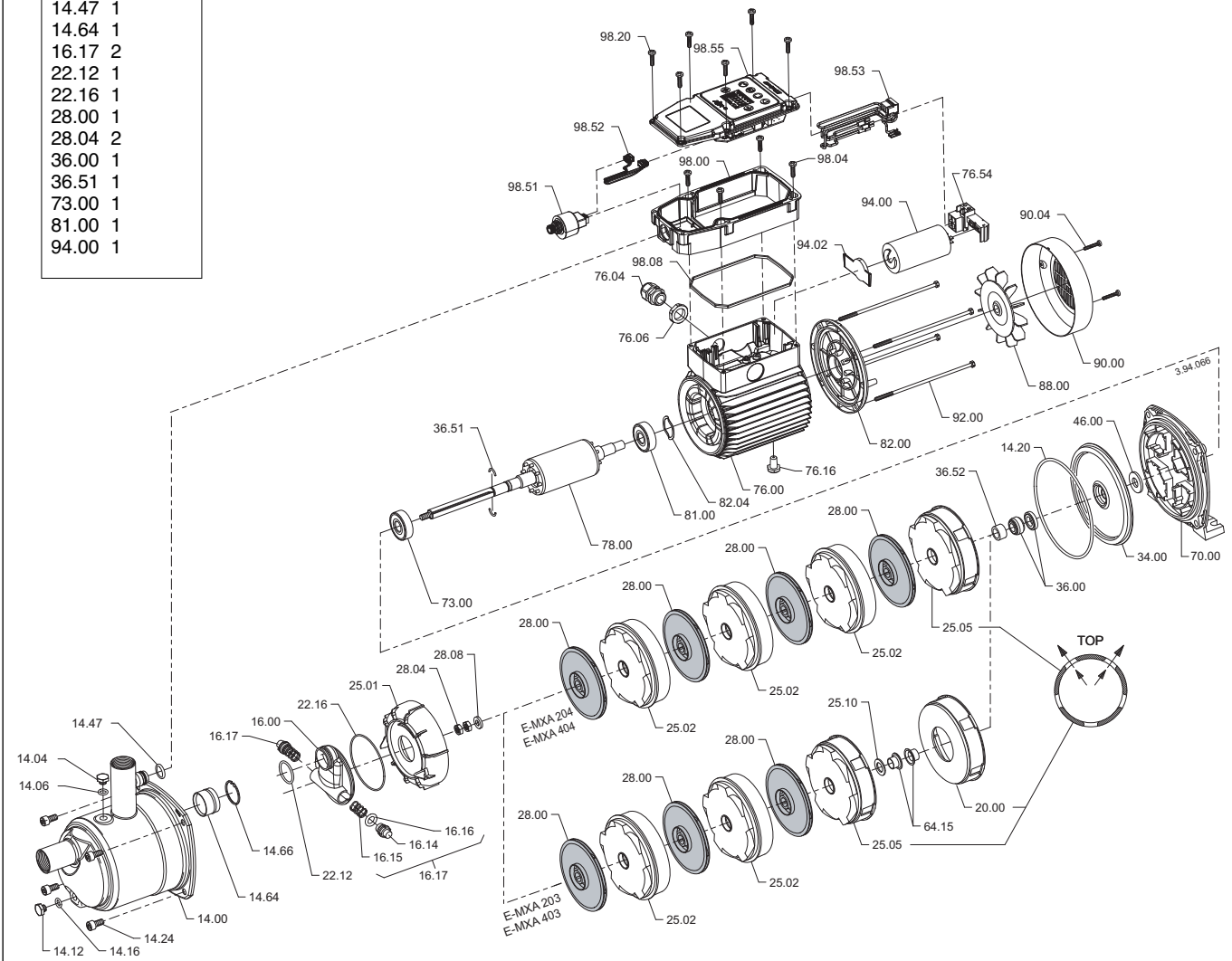
10SDS 160
 10SDS 190
 10SDS 280



- E-MXAM 203-PCD
- E-MXAM 204-PCD
- E-MXAM 403-PCD
- E-MXAM 404-PCD

Service kit

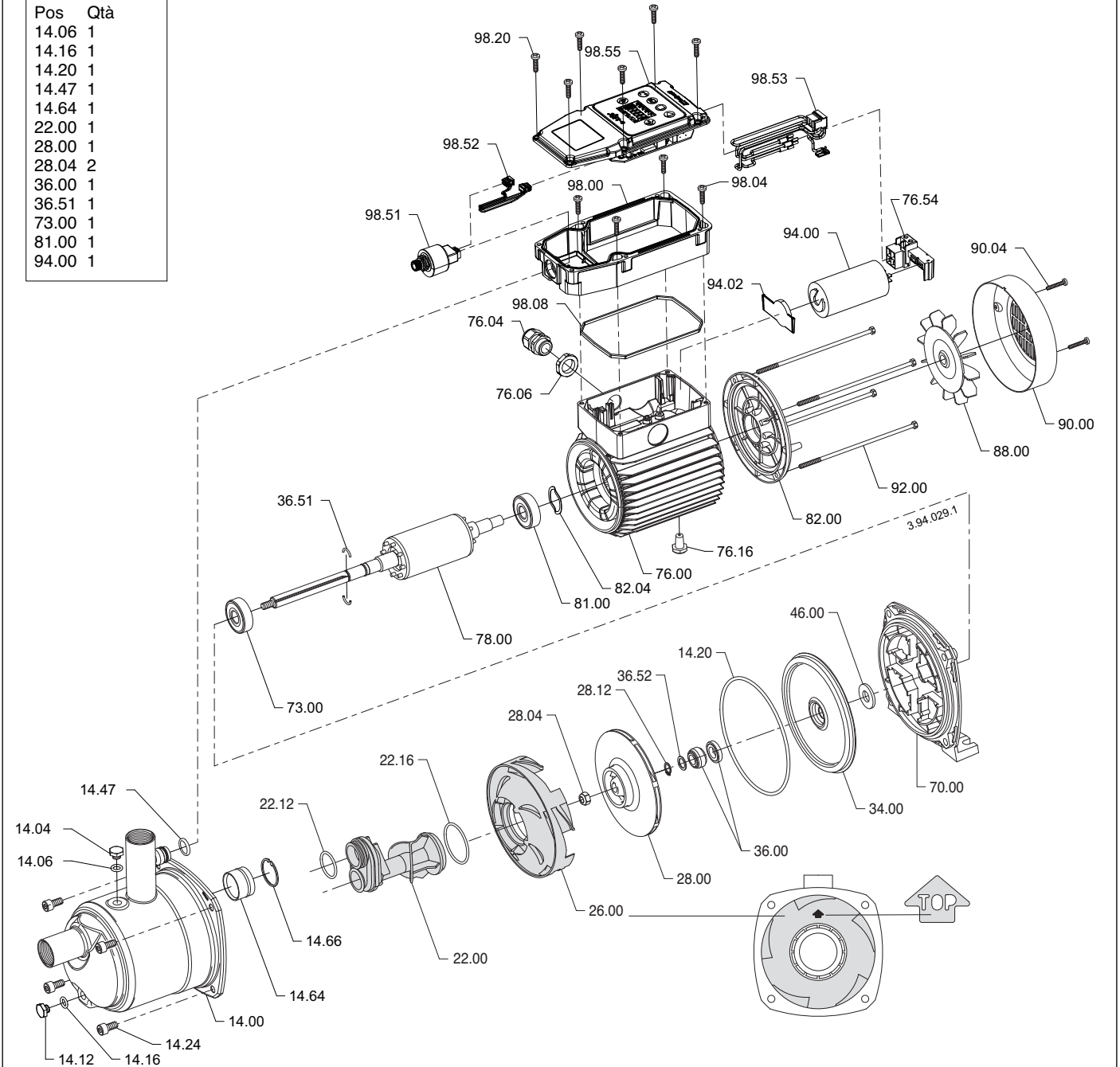
Pos	Qtà
14.06	1
14.16	1
14.20	1
14.47	1
14.64	1
16.17	2
22.12	1
22.16	1
28.00	1
28.04	2
36.00	1
36.51	1
73.00	1
81.00	1
94.00	1



E-NGXM 4/110-PCD
 E-NGXM 3/100-PCD
 E-NGXM 2/80-PCD

Service kit

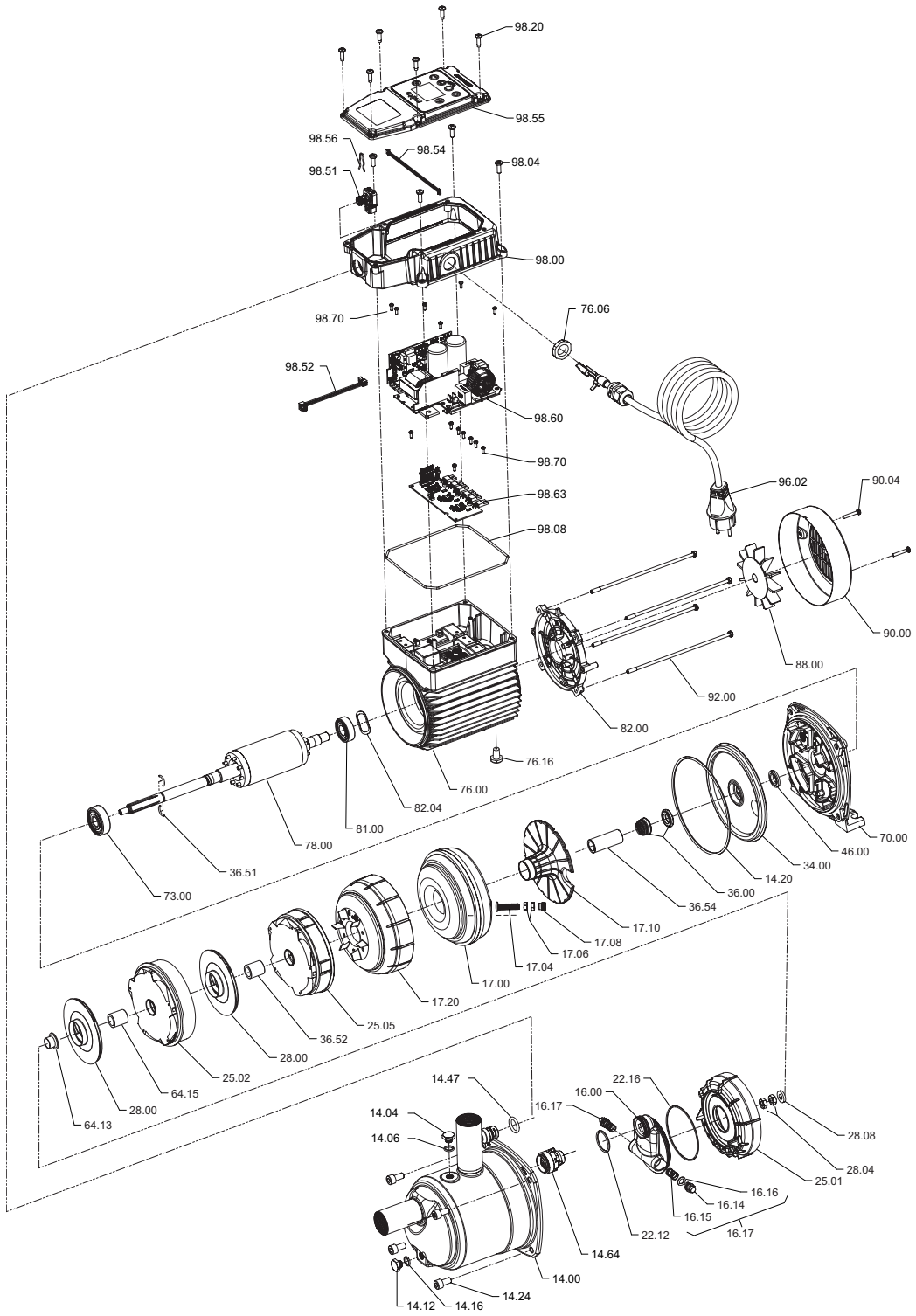
Pos	Qtà
14.06	1
14.16	1
14.20	1
14.47	1
14.64	1
22.00	1
28.00	1
28.04	2
36.00	1
36.51	1
73.00	1
81.00	1
94.00	1



META

Service kit

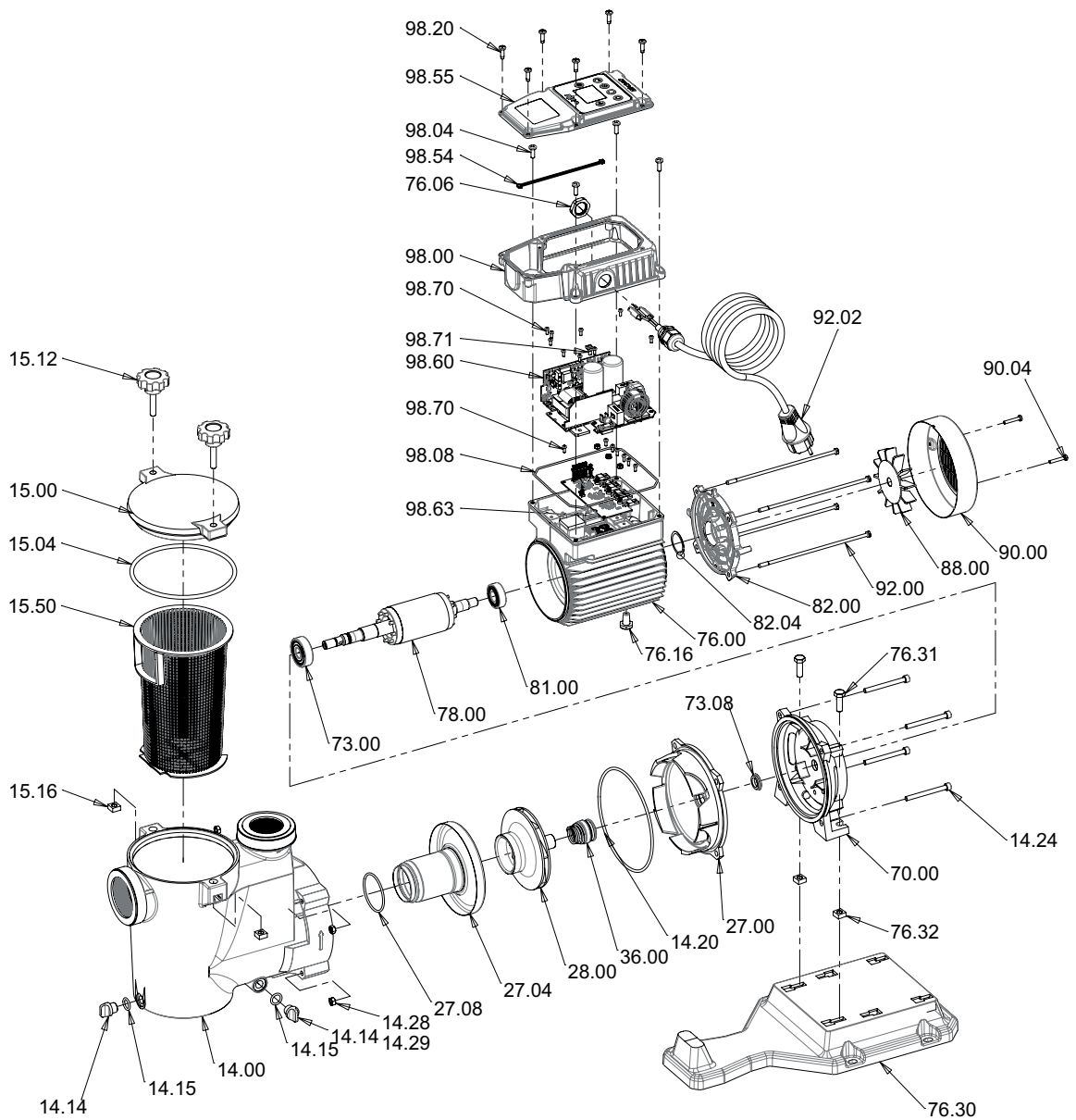
Pos	Qtà
14.06	1
14.16	1
14.20	1
14.47	1
14.64	1
16.17	2
17.00	1
17.04	1
17.10	1
17.20	1
22.12	1
22.16	1
28.04	2
36.00	1
36.51	1
73.00	1
81.00	1



I-MPC

Service kit

Pos	Qtà
14.14	
14.15	
14.20	
15.00	
15.04	
15.12	
15.16	
27.08	
28.00	
36.00	
73.00	
81.00	





DENOMINAZIONE DEI COMPONENTI

10.00 Corpo venturi esterno	16.13 Rondella	43.01 O-ring	73.12 Anello di sicurezza
10.04 Tappo con rondella	16.14 Otturatore	44.00 Premitreccia	76.00 Carcassa motore con avvolgimento
10.05 Rondella	16.15 Molla	44.04 Anello lanterna	76.01 Camicia motore con avvolgimento
10.12 Guarnizione	16.16 O-ring	46.00 Anello paraspruzzi	76.02 Camicia motore completa
10.16 Guarnizione	16.17 Valvola	46.50 Parasabbia	76.04 Anello passacavo o pressacavo
10.20 Vite	16.20 Guarnizione corpo	46.51 Anello del parasabbia	76.05 Passacavo
12.00 Coperchio del corpo	16.30 Gomito	50.00 Corpo supporto inferiore	76.06 Dado
12.01 Corpo di mandata	18.00 Disco separatore	52.00 Cuscinetto a bocca	76.08 Tappo
12.02 Supporto bocca	20.00 Corpo premente	52.04 Vite senza testa	76.09 Dado
12.03 Cuscinetto a bocca (parte fissa)	20.04 Tappo con rondella	54.00 Tubo intermedio	76.11 Blocca Motoprotettore
12.04 Guida valvola	20.05 Rondella	54.04 Vite senza testa	76.12 Motoprotettore
12.05 Anello di sicurezza	20.12 Vite	54.08 Vite senza testa	76.13 Flangia
12.06 Sede valvola	20.16 Dado	56.00 Tronchetto di raccordo	76.14 Anello di sicurezza
12.07 Rosetta guarnizione valvola	20.20 Rosetta	60.00 Corpo supporto	76.15 Coperchio motoprotettore
12.10 Valvola completa	22.00 Eiettore	60.02 Piede di sostegno	76.16 Appoggio
12.12 Guarnizione valvola	22.02 Diffusore - eiettore	60.04 Vite con rondelle	76.20 Spina elastica
12.16 Tappo	22.04 Ugello	60.05 Rondella	76.30 Base appoggio MPC
12.20 Vite	22.08 O-ring precamera	60.06 Rondella	76.31 Vite
12.21 Dado	22.12 O-ring lato aspirazione	60.08 Dado	76.32 Dado
12.24 Coperchio del corpo lato motore	22.16 O-ring lato girante	60.10 Oliatore	76.50 Riavvolgimento
12.30 Cuscinetto a bocca stadio	25.01 Corpo primo stadio	60.11 Olio	76.54 Morsettieria completa
12.31 Bussola del cuscinetto (parte rotante)	25.02 Corpo stadio	60.14 Tappo	76.55 Vite
13.00 Controflangia aspirante	25.03 Corpo stadio con cuscinetto	60.15 Rondella	76.60 Galleggiante
13.01 Guarnizione flangia aspirante	25.04 Guarnizione piana	60.18 Tappo	76.62 Coperchio camicia
13.04 Vite	25.05 Corpo ultimo stadio	60.19 Rondella	76.63 Vite
13.08 Dado	25.06 Vite	61.00 Base	76.64 Maniglia
13.12 Controflangia premente	25.10 Spessore per girante mancante	61.02 Tirante	76.65 Staffa per maniglia
13.13 Guarnizione flangia premente	25.11 Distanziale primo stadio	61.03 Rosetta	76.66 Rosetta
13.16 Vite	25.20 Anello precarico stadi	61.04 Dado	76.68 O-ring
13.18 Rosetta	25.22 O-ring	61.07 Vite	78.00 Albero con pacco rotore
13.20 Dado	25.23 Anello distanziale	61.30 Piede di sostegno	78.08 Camicia di tenuta
13.24 Rosetta	25.24 Supporto anello precarico	61.32 Vite	78.10 Camicia motor
13.30 Riduzione eccentrica aspirante	25.26 Rosetta	61.34 Rosetta	78.12 O-ring
13.31 Guarnizione	25.28 Vite	61.36 Dado	81.00 Cuscinetto
13.34 Vite	25.30 Anello seeger	62.00 Coperchio supporto lato girante	81.04 V-ring
13.38 Dado	25.32 Anello bloccaggio seeger	62.04 Guarnizione	81.08 Anello di sicurezza
13.30 Diffusore conico premente	25.34 Vite	62.08 Vite	81.12 Anello compensatore
13.31 Guarnizione	26.00 Diffusore (pompa)	62.12 Ingrassatore	82.00 Coperchio motore lato ventola
13.34 Vite	26.01 Diffusore finale	63.00 Cuscinetto lato girante	82.01 Coperchio motore lato opposto
13.38 Dado	26.02 Parete del diffusore	63.04 Anello di sicurezza	82.02 Vite
13.50 Bocchettone completo	26.04 Vite	63.22 Anello a labbro	82.03 O-ring
13.54 Dado bocchettone	26.06 O-ring	64.00 Albero pompa	82.04 Molla di compensazione
13.58 Guarnizione	26.08 Camicia del diffusore	64.08 Camicia di protezione	82.05 Vite
13.60 Flangia con tronchetto	26.10 Anello convogliatore	64.10 Bussola cuscinetto	82.06 Rosetta
14.00 Corpo pompa	27.00 Coperchio del diffusore	64.12 O-ring per camicia	82.08 Vite
14.02 Camicia esterna	27.04 Imbuto diffusore (o parete diff.)	64.13 Bussola distanziatrice superiore	82.09 Dado
14.03 Camicia esterna con raccordo	27.08 O-ring imbuto	64.14 Bussola distanziatrice inferiore	82.10 Staffa di sollevamento
14.04 Tappo con rondella	28.00 Girante	64.15 Bussola distanziatrice	82.11 Vite
14.05 Rondella	28.02 Anello di contropinta	64.16 Linguetta per camicia	82.12 O-ring
14.06 O-ring	28.04 Dado bloccaggio girante (o vite)	64.18 Bussola distanziatrice	82.14 O-ring
14.12 Tappo con rondella	28.05 Anello di sicurezza	64.19 Bussola distanziatrice	82.18 Coperchio cuscinetto lato ventola
14.13 Rondella	28.07 Rondella	64.20 Linguetta per estremità d'albero	82.20 Vite
14.14 Tappo	28.08 Rosetta	64.21 Giunto	82.22 Ingrassatore
14.15 O-ring	28.12 Anello di sicurezza	64.22 Giunto completo	82.24 Anello di sicurezza
14.16 O-ring	28.20 Linguetta girante	64.23 Rondella	84.00 Coperchio membrana rotore
14.17 Vite	28.24 Bussola conica	64.24 Spina elastica	84.04 Membrana rotore
14.18 O-ring	28.50 Ingranaggio di comando	64.25 Vite	84.08 Vite
14.19 O-ring	28.51 Alberino di comando	64.26 Spessore di aggiustaggio	86.00 Coperchio Membrana Statore
14.20 Guarnizione corpo	30.00 Girante secondo stadio	64.50 Coprigiunto	86.04 Membrana
14.22 Anello di fissaggio	30.50 Ingranaggio condotto	66.00 Cuscinetto lato giunto	86.05 Disco Protezione Membrana
14.24 Vite	30.51 Alberino condotto	66.04 Anello di spallamento	86.12 Anello di Fissaggio
14.28 Dado	32.00 Lanterna di raccordo	66.08 Anello di sicurezza	88.00 Ventola
14.29 Rosetta	32.02 Lanterna aspirante	66.12 Anello di spallamento	88.04 Anello di sicurezza
14.32 Raccordo filettato con rondella	32.04 Vite	66.16 Anello di sicurezza	88.08 Vite
14.34 Rondella	32.05 Dado	66.18 Anello di sicurezza	90.00 Calotta
14.42 Tappo con rondella	32.08 Gomito	66.19 Anello di spallamento	90.04 Vite
14.43 Rondella	32.12 Piede di appoggio	66.22 Anello a labbro	90.05 Rosetta
14.46 Tappo con rondella	32.16 Vite	68.00 Coperchio supporto lato giunto	90.08 Vite di appoggio
14.47 O-ring	32.20 Vite	68.04 Guarnizione	92.00 Tirante
14.48 O-ring	32.21 Vite	68.08 Vite	94.00 Condensatore
14.50 Tappo	32.30 Protezione	68.12 Ingrassatore	94.02 Anello/piastra ferma condensatore
14.54 Anello di tenuta	32.31 Rosetta	68.16 Molla di compensazione	94.04 Collare condensatore
14.55 Anello adattatore	32.32 Vite	70.00 Coperchio motore l.p. (lanterna di racc.)	94.08 Collare condensatore
14.56 Vite senza testa	32.33 Dado	70.04 O-ring	94.12 Vite
14.60 Flangia di aspirazione	32.40 Valvola di sfiato con rondella	70.05 O-ring	96.00 Cavo
14.62 Vite	32.41 Rondella	70.08 O-ring	96.02 Cavo con spina
14.64 Valvola completa	34.00 Coperchio del corpo	70.09 O-ring	96.04 Copricavo
14.65 Guarnizione	34.01 Coperchio inferiore	70.10 O-ring	96.05 Tubo Protezione Cavi
14.66 Rondella	34.02 Coperchio superiore	70.11 Anello del pressacavo (galleggiante)	96.07 Blocca cavo
14.67 Rondella	34.03 Coperchio camera olio	70.12 Anello del pressacavo (linea)	96.08 Staffa
14.68 Vite	34.04 Anello di tenuta girante/coperchio	70.13 Rondella	96.09 Vite
14.69 Dado	34.05 Dado	70.14 Piastrina	96.10 Dado
14.70 Coperchio ispezione	34.06 Vite senza testa	70.15 Vite	96.12 Blocca cavo alimentazione
14.72 Vite	34.08 Tappo	70.16 Manicotto pressacavo	96.13 Blocca cavo galleggiante
14.73 Dado	34.09 O-ring	70.17 Ghiera di pressione	98.00 Coperchio scatola morsetti
14.74 Rosetta	34.12 Vite / Vite prigioniera	70.18 Vite	98.04 Vite
14.75 Guarnizione	34.13 O-ring	70.19 Dado	98.05 Rosetta
14.80 Valvola sfiato e sfera	34.16 Dado	70.20 Vite	98.08 Guarnizione
14.82 Sfera	36.00 Tenuta meccanica	70.21 Rosetta	98.12 Scatola morsetti con coperchio
15.00 Coperchio filtro	36.50 Anello di sicurezza tenuta meccanica	70.22 Dado	98.16 Vite
15.04 O-ring coperchio filtro	36.51 Anello di arresto in due pezzi	70.23 O-ring	98.20 Vite
15.08 Vite prigioniera	36.52 Anello di spallamento	70.24 Coperchio cuscinetto lato pompa	98.24 Guarnizione
15.12 Dado o vite a manopola	36.54 Bussola distanziatrice (distanziatore)	70.26 Vite	98.28 Guarnizione
15.16 Dado quadro	38.00 Tenuta a treccia	70.27 Guarnizione	98.50 Lampada
15.50 Filtro	40.00 Anello di tenuta radiale	70.28 Ingrassatore	95.54 Interruttore
15.60 Vite distanziale	40.04 Anello distanziale	72.00 Tenuta meccanica	99.00 Motore completo
15.70 Vite	40.08 Anello di chiusura	72.02 Anello di sicurezza per T.meccanica	99.05 Golfare
16.00 Corpo aspirante	40.12 Anello di sicurezza	73.00 Cuscinetto lato pompa	99.06 Rondella
16.04 Tappo con rondella	42.00 Coperchio tenuta	73.02 Anello	99.07 Rosetta
16.05 Rondella	42.04 O-ring per coperchio tenuta	73.04 Anello di sicurezza	
16.12 Valvola di sfiato con rondella	43.00 Camicia tenuta a treccia	73.08 V-ring lato pompa	

PART DESIGNATION

10,00 Ejector casing	16,13 Washer	43,01 O-ring	73,12 Circlip
10,04 Plug with washer	16,14 Plunger valve	44,00 Stuffing box gland	74,04 Circlip
10,05 Washer	16,15 spring	44,04 Lantern ring	76,00 Motor casing with winding
10,12 Gasket	16,16 O-ring	46,00 Deflector	76,01 Motor jacket with winding
10,16 Gasket	16,17 Valve	46,50 Sand guard	76,02 Kit, motor jacket
10,20 Screw	16,20 Casing gasket	46,51 Sand guard ring	76,04 Cable gland
12,00 Casing cover	16,30 Elbow	50,00 Lower bearing housing	76,05 Conduit
12,01 Delivery casing	18,00 Interstage plate	52,00 Bearing bush	76,06 Nut
12,02 Bush casing	20,00 Delivery casing	52,04 Grub screw	76,08 Plug
12,03 Bearing sleeve (stationary part)	20,04 Plug with washer	54,00 Support column	76,09 Nut
12,04 Valve guide	20,05 Washer	54,04 Grub screw	76,11 Thermal protector block
12,05 Circlip	20,12 Screw	54,08 Grub screw	76,12 Thermal protector
12,06 Valve seat	20,16 Nut	56,00 Adapter	76,13 flange
12,07 Valve joint washer	20,20 Washer	60,00 Bearing housing	76,14 Circlip
12,10 Valve set	22,00 Ejector	60,02 Foot support	76,15 Thermal protector cover
12,12 Valve joint	22,02 Diffuser - ejector	60,04 Screw with washers	76,16 Support
12,16 Plug	22,04 Nozzle	60,05 Washer	76,20 Pin
12,20 Screw	22,08 O-ring for high pressure chest	60,06 Washer	76,30 Base support for MPC
12,21 Nut	22,12 O-ring suction side	60,08 Nut	76,31 Screw
12,24 Casing cover motor side	22,16 O-ring impeller side	60,10 oiler	76,32 Nut
12,30 Stage bearing sleeve	25,01 First stage casing	60,11 Oil	76,50 Rewinding
12,31 Bearing sleeve (rotating part)	25,02 Stage casing	60,14 Plug	76,54 Terminal board, set
13,00 Counterflange, suction side	25,03 Stage casing with bearing	60,15 Washer	76,55 Screw
13,01 Flange gasket, suction side	25,04 Gasket	60,18 Plug	76,60 Float switch
13,04 Screw	25,05 Last stage casing	60,19 Washer	76,62 Jacket cover
13,08 Nut	25,06 Screw	61,00 Base	76,63 Screw
13,12 Counterflange, delivery side	25,10 Spacer Washer for missing impeller	61,02 Tie-bolt	76,64 Handle
13,13 Flange gasket, delivery side	25,11 First stage spacer	61,03 Washer	76,65 Handle clamp
13,16 Screw	25,20 Preload ring stages	61,04 Nut	76,66 Washer
13,18 Washer	25,22 O-ring	61,07 Screw	76,68 O-ring
13,20 Nut	25,23 spacer	61,30 Support foot	78,00 Shaft with rotor packet
13,24 Washer	25,24 Support ring preload	61,32 Screw	78,08 Motor jacket
13,30 Inlet adaptor	25,26 Washer	61,34 Washer	78,10 Motor jacket
13,31 Gasket	25,28 Screw	61,36 Nut	78,12 O-ring
13,34 Screw	25,30 Circlip	62,00 Bearing cover, impeller side	81,00 Ball bearing
13,38 Nut	25,32 Locking snap ring	62,04 Gasket	81,04 V-ring, fan side
13,30 Outlet adaptor	25,34 Screw	62,08 Screw	81,08 Circlip
13,31 Gasket	26,00 Diffuser (pump)	62,12 Lubricating nipple	81,12 Compensating ring
13,34 Screw	26,01 Final diffuser	63,00 Ball bearing, impeller side	82,00 Motor end shield, fan side
13,38 Nut	26,02 Diffuser plate	63,04 Circlip	82,01 Motor end-shield, non-drive end
13,50 complete union	26,04 Screw	63,22 Radial Oil Seal	82,02 Screw
13,54 Union nut	26,06 O-ring	64,00 Pump shaft	82,03 O-ring
13,58 Gasket	26,08 Diffuser sleeve	64,08 Shaft sleeve	82,04 Compensating spring
13,60 Flange with adaptor	26,10 Suction ring	64,10 Bearing sleeve	82,05 Screw
14,00 Pump casing	27,00 Cover-diffuser	64,12 O-ring for shaft sleeve	82,06 Washer
14,02 External jacket	27,04 Diffuser-funnel	64,13 Upper spacer sleeve	82,08 Screw
14,03 External jacket with suction lantern	27,08 O-ring for diffuser-funnel	64,14 Lower spacer sleeve	82,09 Nut
14,04 Plug with washer	28,00 Impeller	64,15 Intermediate spacer sleeve	82,10 Eyebolt
14,05 Washer	28,02 Counter thrust bearing ring	64,16 Key for shaft sleeve	82,11 Screw
14,06 O-ring for plug	28,04 Impeller nut (or screw)	64,18 Spacer sleeve	82,12 O-ring
14,12 Plug with washer	28,05 Circlip	64,19 Spacer sleeve	82,14 O-ring
14,13 Washer	28,07 Washer	64,20 Key for shaft end	82,18 Bearing cover, fan side
14,14 Plug	28,08 Washer	64,21 Coupling	82,20 Screw
14,15 O-ring for plug	28,12 Circlip	64,22 Coupling, set	82,22 Grease cup
14,16 O-ring for plug	28,20 Impeller key	64,23 Washer	82,24 Circlip
14,17 Screw	28,24 Locking sleeve	64,24 Shear pin	84,00 Rotor diaphragm cover
14,18 O-ring	28,50 Drive gear	64,25 Screw	84,04 Rotor diaphragm
14,19 O-ring	28,51 Drive shaft	64,26 Adjustment Ring	84,08 Screw
14,20 Casing gasket	30,00 Delivery side impeller	64,50 Cover plate	86,00 Stator membrane cover
14,22 Fastening ring	30,50 Driven gear	66,00 Ball bearing, coupling side	86,04 Membrane
14,24 Screw or stud	30,51 Driven shaft	66,04 Shoulder ring	86,05 Diaphragm protection plate
14,28 Nut	32,00 Lantern bracket	66,08 Circlip	86,12 Fastening Ring
14,29 Washer	32,02 Suction lantern	66,12 Shoulder ring	88,00 Motor fan
14,32 Fitting for pipe with washer	32,04 Screw	66,16 Circlip	88,04 Circlip
14,34 Washer	32,05 Nut	66,18 Circlip	88,08 Screw
14,42 Plug with washer	32,08 elbow	66,19 Shoulder ring	90,00 Fan cover
14,43 Washer	32,12 Foot support	66,22 Radial Oil Seal	90,04 Screw
14,46 Plug with washer	32,16 Screw	68,00 Bearing cover, coupling side	90,05 Washer
14,47 O-ring	32,20 Screw	68,04 Gasket	90,08 Support screw
14,48 O-ring	32,21 Screw	68,08 Screw	92,00 Tie-bolt
14,50 Plug	32,30 Guard	68,12 Grease cup	94,00 Capacitor
14,54 Wear ring	32,31 Washer	68,16 Compensation spring	94,02 Capacitor gland
14,55 Adapter ring	32,32 Screw	70,00 Motor cover, pump side (l. bracket)	94,04 Capacitor collar
14,56 Grub screw	32,33 Nut	70,04 O-ring	94,08 Capacitor collar
14,60 Flange, suction side	32,40 Air release plug with washer	70,05 O-ring	94,12 Screw
14,62 Screw	32,41 Washer	70,08 O-ring	96,00 Cable
14,64 Valve, set	34,00 Casing cover	70,09 O-ring	96,02 Cable with plug
14,65 Gasket	34,01 Lower cover	70,10 O-ring	96,04 Cable guard
14,66 Washer	34,02 Upper cover	70,11 Cable gland ring (float switch)	96,05 Cable jacket
14,67 Washer	34,03 Oil chamber cover	70,12 Cable gland ring	96,07 Cable fastener
14,68 Screw	34,04 Sealing ring impeller/cover	70,13 Washer	96,08 Clamp
14,69 Nut	34,05 Nut	70,14 Cable fastener	96,09 Screw
14,70 Inspection cover	34,06 Grub screw	70,15 Screw	96,10 Nut
14,72 Screw	34,08 Plug	70,16 Cable gland	96,12 Block for power cable
14,73 Nut	34,09 O-ring	70,17 Lock ring	96,13 Block for floating switch cable
14,74 Washer	34,12 Stud	70,18 Screw	98,00 Terminal box cover
14,75 Gasket	34,13 O-ring	70,19 Nut	98,04 Screw
14,80 Vent valve and ball	34,16 Nut	70,20 Screw	98,05 Washer
14,82 Vent valve ball	36,00 Mechanical seal	70,21 Washer	98,08 Gasket
15,00 Strainer cover	36,50 Mechanical seal circlip	70,22 Nut	98,12 Terminal box
15,04 O-ring for strainer cover	36,51 Retaining ring, split	70,23 O-ring	98,16 Screw
15,08 Stud	36,52 Shoulder ring	70,24 Bearing cover, pump side	98,20 Screw
15,12 Hand knob	36,54 Spacer sleeve	70,26 Screw	98,24 Gasket
15,16 Square nut	38,00 Packing	70,27 Gasket	98,28 Gasket
15,50 Strainer	40,00 Radial shaft seal	70,28 Grease cup	98,50 lamp
15,60 Spacer screw	40,04 Spacer ring	72,00 Mechanical seal	95,54 switch
15,70 Screw	40,08 Shoulder ring	72,02 Circlip	99,00 Complete motor
16,00 Suction casing	40,12 Circlip	73,00 Pump side bearing	99,05 eyebolt
16,04 Plug with washer	42,00 Cover plate for seal	73,02 ring	99,06 Washer
16,05 Washer	42,04 O-ring for cover plate	73,04 Circlip	99,07 Washer
16,12 Air release plug with washer	43,00 Packing Gland Bush	73,08 V-ring, pump side	

TEILE-BENENNUNG

10.00	Tiefsaugvorrichtung-Gehäuse	26.00	Leitrad	66.04	Schulterring
10.04	Verschlusschraube mit Dichtring	26.02	Leitradwand	66.08	Sicherungsring
10.12	Flachdichtung	26.04	Schraube	66.12	Schulterring
10.16	Flachdichtung	26.08	Stufenmantel	66.16	Sicherungsring
10.20	Schraube	26.10	Förderring	66.18	Sicherungsring
12.00	Gehäusedeckel	27.00	Diffusor-Deckel	66.19	Schulterring
12.01	Druckgehäuse	27.04	Diffusor-Trichter (oder Diffusor-Wand)	68.00	Lagerdeckel, kupplungseitig
12.02	Buchsegehäuse	27.08	Runddichtring, für Diffusor-Trichter	68.04	Flachdichtung
12.03	Lagerbuchse	28.00	Laufrad	68.08	Schraube
12.04	Tellerführung	28.02	Gegenaxiallagering	68.12	Schmiernippel
12.05	Sicherungsring	28.04	Laufradmutter (oder Schraube)	70.00	Motorlagergehäuse, pumpenseitig (Antriebslat.)
12.06	Ventilsitz	28.05	Sicherungsring	70.05	Runddichtring
12.07	Ventildichtungscheibe	28.07	Scheibe	70.09	Runddichtring
12.10	Ventil, komplett	28.08	Scheibe	70.10	Runddichtring
12.12	Ventilsitzdichtung	28.12	Sicherungsring	70.11	Kabelring (schwimmerschalter)
12.16	Verschlusschraube	28.20	Paßfeder für Laufrad	70.12	Kabelring
12.20	Schraube	28.24	Spannhülse	70.13	Scheibe
12.21	Mutter	28.50	Pumpenzahnrad, treibend	70.14	Kabelhalterung
12.24	Gehäusedeckel, antriebsseitig	28.51	Antriebswelle	70.15	Schraube
12.30	Stufenbüchse	30.00	Laufrad, zweite Stufe	70.16	Kabeldruckring
12.31	Lagerhülse	30.50	Pumpenzahnrad, getrieben	70.17	Druckmutter
13.00	Gegenflansch, saugseitig	30.51	Laufwelle	70.18	Schraube
13.01	Flachdichtung, saugseitig	32.00	Antriebslaterne	70.19	Mutter
13.04	Schraube	32.02	Sauggehäuse	70.20	Schraube
13.08	Mutter	32.04	Schraube	70.21	Scheibe
13.12	Gegenflansch, druckseitig	32.05	Mutter	70.22	Mutter
13.13	Flachdichtung, druckseitig	32.20	Schraube	70.24	Lagerdeckel, pumpenseitig
13.16	Schraube	32.30	Verkleidung	70.26	Schraube
13.20	Mutter	32.31	Scheibe	70.28	Schmiernippel
13.60	Flansch mit Verbindungsstück	32.32	Schraube	72.00	Gleitringdichtung
14.00	Pumpengehäuse	34.00	Gehäusedeckel	72.02	Sicherungsring
14.02	Pumpenmantel	34.01	Unterer Deckel	73.00	Wälzlager, pumpenseitig
14.04	Verschlusschraube mit Dichtring	34.02	Oberer Deckel	73.08	V-Ring-Dichtung, pumpenseitig
14.06	Runddichtring	34.03	Ölkammer-Deckel	76.00	Motorgehäuse mit Wicklung
14.12	Verschlusschraube mit Dichtring	34.12	Stiftschraube	76.01	Motormantel mit Wicklung
14.14	Verschlusschraube	34.16	Mutter	76.02	Teil-Motormantel, komplett
14.15	Runddichtring	36.00	Gleitringdichtung	76.04	Kabelführung
14.16	Runddichtring	36.50	Sicherungsring für Gleitringdichtung	76.16	Stütze
14.17	Schraube	36.51	Haltering, geteilt	76.20	Paßstift
14.18	Runddichtring	36.52	Schulterring	76.50	Neue Wicklung
14.19	Runddichtring	36.54	Abstandshülse	76.54	Klemmenbrett, komplett
14.20	Gehäusedichtung	38.00	Stopfbuchspackung	76.60	Schwimmerschalter
14.22	Verbindungsring	40.00	Radialdichtring	76.62	Manteldeckel
14.24	Schraube	40.04	Abstandsring	76.63	Schraube
14.28	Mutter	40.08	Verschlussring	76.64	Griff
14.29	Scheibe	40.12	Sicherungsring	76.65	Schelle für Griff
14.32	Mundstück mit Dichtring	42.00	Dichtungsdeckel	76.66	Scheibe
14.42	Verschlusschraube mit Dichtring	42.04	Runddichtring, für Dichtungsdeckel	78.00	Welle mit Rotorpaket
14.46	Verschlusschraube mit Dichtring	44.00	Stopfbuchsrille	78.12	Runddichtring
14.47	Dichtring	44.04	Sperring	81.00	Wälzlager
14.50	Verschlusschraube	46.00	Spritzring	81.04	V-Ring-Dichtung, lüfterradseitig
14.54	Spaltring, saugseitig	46.50	Sandschutzring	81.12	Toleranzring
14.55	Gehäuseeinsatz	50.00	Lagerkörper, unten	82.00	Motorlagergehäuse, lüfterradseitig
14.60	Saugflansch	52.00	Lagerbuchse	82.01	Motorlagergehäuse, B-seitig
14.62	Schraube	52.04	Gewindestift	82.02	Schraube
14.64	Ventil, komplett	54.00	Zwischenrohr	82.03	Runddichtring
14.70	Putzlochdeckel	54.04	Gewindestift	82.04	Federscheibe
14.72	Schraube	54.08	Gewindestift	82.05	Schraube
14.73	Mutter	56.00	Verbindungsstück	82.08	Schraube
14.74	Scheibe	60.00	Lagergehäuse	82.09	Mutter
14.75	Flachdichtung	61.00	Grundplatte	82.18	Motorlagergehäuse, lüfterradseitig
15.00	Filterdeckel	61.02	Verbindungsschraube	82.20	Schraube
15.04	Runddichtring für Filterdeckel	61.03	Scheibe	82.22	Schmiernippel
15.08	Stiftschraube	61.04	Mutter	82.24	Sicherungsring
15.12	Flügelmutter bzw. Flügelschraube	61.07	Schraube	88.00	Lüfterrad
15.16	Vierkantmutter	61.30	Stützfuß	88.04	Sicherungsring
15.50	Saugsieb	61.32	Schraube	90.00	Haube
16.00	Sauggehäuse	61.34	Scheibe	90.04	Schraube
16.04	Verschlusschraube mit Dichtring	61.36	Mutter	90.08	Stützschraube
16.12	Entlüftungsschraube mit Dichtring	62.00	Lagerdeckel, laufradseitig	92.00	Verbindungsschraube
16.20	Gehäusedichtung	62.04	Flachdichtung	94.00	Kondensator
16.30	Krümmern	62.08	Schraube	94.02	Sicherungsring
18.00	Zwischenwand	62.12	Schmiernippel	94.04	Kondensatorschelle
20.00	Druckgehäuse	63.00	Wälzlager, laufradseitig	94.12	Schraube
20.04	Verschlusschraube mit Dichtring	64.00	Pumpenwelle	96.00	Kabel
20.12	Schraube	64.08	Wellenschutzhülse	96.02	Kabel mit Stecker
20.16	Mutter	64.10	Lagerhülse	96.04	Kabelschutzleiste
20.20	Scheibe	64.12	Runddichtring für Wellenschutzhülse	96.07	Kabelhalterung
22.00	Ejektor	64.13	Abstandshülse, oben	96.08	Schelle
22.02	Diffusor - Ejektor	64.14	Abstandshülse, unten	96.09	Schraube
22.04	Treibdüse	64.15	Zwischenabstandshülse	96.10	Mutter
22.08	Runddichtring für Düsenvorkammer	64.16	Paßfeder für Wellenschutzhülse	98.00	Klemmenkastendeckel
22.12	Runddichtring, saugseitig	64.18	Abstandshülse	98.04	Schraube
22.16	Runddichtring, laufradseitig	64.19	Abstandshülse	98.08	Flachdichtung
25.01	Stufengehäuse erste Stufe	64.20	Paßfeder für Wellenende	98.12	Klemmenkasten mit Deckel
25.02	Stufengehäuse	64.21	Kupplung	98.16	Schraube
25.03	Stufengehäuse mit Lager	64.22	Kupplung, komplett	98.20	Schraube
25.04	Flachdichtung	64.23	Scheibe	98.24	Flachdichtung
25.05	Stufengehäuse letzte Stufe	64.24	Paßstift	98.28	Flachdichtung
25.06	Schraube	64.25	Schraube	99.00	Motor, komplett
25.10	Scheibe für fehlendes Laufrad	64.26	Zwischenlage		
25.11	Abstand erste Stufe	66.00	Wälzlager, kupplungseitig		

DESCRIPTION DES PIECES

10.00	Corps du éjecteur extérieur	26.00	Diffuseur (pompe)	66.04	Bague d'appui
10.04	Bouchon avec rondelle	26.02	Flasque du diffuseur	66.08	Circlips
10.12	Joint plat	26.04	Vis	66.12	Bague d'appui
10.16	Joint plat	26.08	Chemise du diffuseur	66.16	Circlips
10.20	Vis	26.10	Anneau convoyeur	66.18	Circlips
12.00	Couvercle du corps	27.00	Couvercle-diffuseur (ou peroi-diffuseur)	66.19	Bague d'appui
12.01	Corps de refoulement	27.04	Entonnoir-diffuseur	68.00	Couvercle de palier, côté accouplement
12.02	Porte-coussinet	27.08	Joint torique pour entonnoir	68.04	Joint plat
12.03	Coussinet	28.00	Roue	68.08	Vis
12.04	Guidage de clapet	28.02	Grain de contre-boutée	68.12	Graisser
12.05	Circlips	28.04	Ecrou de blocage de roue (ou vis)	70.00	Fond de moteur, côté pompe (lanterne de racc.)
12.06	Siège de clapet	28.05	Circlips	70.05	Joint torique
12.07	Rondelle pour joint de clapet	28.07	Rondelle	70.09	Joint torique
12.10	Clapet, ensemble	28.08	Rondelle	70.10	Joint torique
12.12	Joint de clapet	28.12	Circlips	70.11	Bague du câble (interrupteur à flotteur)
12.16	Bouchon	28.20	Clavette de la roue	70.12	Bague du câble
12.20	Vis	28.24	Douille de serrage	70.13	Rondelle
12.21	Ecrou	28.50	Pignon de commande	70.14	Plaque de serrage câble
12.24	Couvercle de corps, côté moteur	28.51	Arbre de commande	70.15	Vis
12.30	Coussinet d'étage	30.00	Roue deuxième étage	70.16	Bague de serrage de câble
12.31	Chemise d'arbre sous coussinet	30.50	Pignon commandé	70.17	Collier de serrage
13.00	Contre-bride d'aspiration	30.51	Arbre commandé	70.18	Vis
13.01	Joint plat pour bride d'aspiration	32.00	Lanterne de raccordement	70.19	Ecrou
13.04	Vis	32.02	Lanterne d'aspiration	70.20	Vis
13.08	Ecrou	32.04	Vis	70.21	Rondelle
13.12	Contre-bride de refoulement	32.05	Ecrou	70.22	Ecrou
13.13	Joint plat, bride de refoulement	32.20	Vis	70.24	Couvercle de roulement côté pompe
13.16	Vis	32.30	Protecteur	70.26	Vis
13.20	Ecrou	32.31	Rondelle	70.28	Graisser
13.60	Bride avec manchette	32.32	Vis	72.00	Garniture mécanique
14.00	Corps de pompe	34.00	Couvercle de corps	72.02	Circlips
14.02	Chemise extérieure	34.01	Couvercle inférieur	73.00	Roulement à billes, côté pompe
14.04	Bouchon avec rondelle	34.02	Couvercle supérieur	73.08	Joint V-ring côté pompe
14.06	Joint torique pour bouchon	34.03	Couvercle chambre d'huile	76.00	Carcasse moteur avec bobinage
14.12	Bouchon avec rondelle	34.12	Goujon	76.01	Chemise moteur avec bobinage
14.14	Bouchon	34.16	Ecrou	76.02	Ensemble carcasse moteur
14.15	Joint torique pour bouchon	36.00	Garniture mécanique	76.04	Bague de serrage de câble
14.16	Joint torique pour bouchon	36.50	Circlips	76.16	Appui
14.17	Vis	36.51	Bague d'arrêt, en deux pièces	76.20	Goupille d'accouplement
14.18	Joint torique	36.52	Bague d'appui	76.50	Rebobinage
14.19	Joint torique	36.54	Entretoise	76.54	Plaque de bornes, complète
14.20	Joint du corps de pompe	38.00	Garniture de presse-étoupe	76.60	Interrupteur à flotteur
14.22	Anneau de fixation	40.00	Joint à lèvres	76.62	Couvercle chemise
14.24	Vis	40.04	Bague entretoise	76.63	Vis
14.28	Ecrou	40.08	Bague de serrage	76.64	Poignée
14.29	Rondelle	40.12	Circlips	76.65	Bride de poignée
14.32	Raccord fileté avec rondelle	42.00	Flasque d'étanchéité	76.66	Rondelle
14.42	Bouchon avec rondelle	42.04	Joint torique pour flasque	78.00	Arbre-rotor
14.46	Bouchon avec rondelle	44.00	Fouloir	78.12	Joint torique
14.47	Joint torique	44.04	Bague lanterne	81.00	Roulement à billes
14.50	Bouchon	46.00	Déflecteur	81.04	Joint V-ring, côté ventilateur
14.54	Bague d'usure avant	46.50	Protection antistable	81.12	Bague de compensation
14.55	Pièce de raccordement	50.00	Porte-coussinet inférieur	82.00	Fond de moteur, côté ventilateur
14.60	Bride d'aspiration	52.00	Coussinet	82.01	Fond de moteur, côté opposé
14.62	Vis	52.04	Vis sans tête	82.02	Vis
14.64	Clapet, ensemble	54.00	Tube de liaison	82.03	Joint torique
14.70	Couvercle de visite	54.04	Vis sans tête	82.04	Rondelle de compensation
14.72	Vis	54.08	Vis sans tête	82.05	Vis
14.73	Ecrou	56.00	Manchette de raccordement	82.08	Vis
14.74	Rondelle	60.00	Corps de palier	82.09	Ecrou
14.75	Joint plat	61.00	Socle	82.18	Couvercle de roulement côté ventilateur
15.00	Couvercle de filtre	61.02	Tirant d'assemblage	82.20	Vis
15.04	Joint torique, couvercle du filtre	61.03	Rondelle	82.22	Graisser
15.08	Goujon	61.04	Ecrou	82.24	Circlips
15.12	Vis papillon	61.07	Vis	88.00	Ventilateur
15.16	Ecrou carré	61.30	Pied support	88.04	Circlips
15.50	Filtre	61.32	Vis	90.00	Capot
16.00	Corps d'aspiration	61.34	Rondelle	90.04	Vis
16.04	Bouchon avec rondelle	61.36	Ecrou	90.08	Vis d'appui
16.12	Bouchon de purge d'air avec rondelle	62.00	Couvercle de palier, côté roue	92.00	Tirant d'assemblage
16.20	Joint de corps	62.04	Joint plat	94.00	Condensateur
16.30	Coude	62.08	Vis	94.02	Bague d'arrêt pour condensateur
18.00	Flasque intermédiaire	62.12	Graisser	94.04	Fouloir
20.00	Corps de refoulement	63.00	Roulement à billes côté roue	94.12	Vis
20.04	Bouchon avec rondelle	64.00	Arbre pompe	96.00	Câble
20.12	Vis	64.08	Chemise d'arbre	96.02	Câble avec fiche
20.16	Ecrou	64.10	Chemise (arbre) sous coussinet	96.04	Profilé protégé-câble
20.20	Rondelle	64.12	Joint torique pour chemise	96.07	Pièce de fixation câble
22.00	Ejecteur	64.13	Entretoise supérieure	96.08	Bride
22.02	Diffuseur - éjecteur	64.14	Entretoise inférieure	96.09	Vis
22.04	Embouchure	64.15	Entretoise intermédiaire	96.10	Ecrou
22.08	Joint torique, chambre de fluide moteur	64.16	Clavette de la chemise d'arbre	98.00	Couvercle de boîte à bornes
22.12	Joint torique, côté d'aspiration	64.18	Entretoise	98.04	Vis
22.16	Joint torique, côté roue	64.19	Entretoise	98.08	Joint plat
25.01	Corps premier étage	64.20	Clavette de bout d'arbre	98.12	Boîte à bornes
25.02	Corps d'étage	64.21	Accouplement	98.16	Vis
25.03	Corps d'étage avec coussinet	64.22	Accouplement, ensemble	98.20	Vis
25.04	Joint plat	64.23	Rondelle	98.24	Joint plat
25.05	Corps dernier étage	64.24	Goupille d'accouplement	98.28	Joint plat
25.06	Vis	64.25	Vis	99.00	Moteur complet
25.10	Rondelle pour roue manquant	64.26	Epaisseur de réglage		
25.11	Entretoise premier étage	66.00	Roulement à billes côté accouplement		

НАИМЕНОВАНИЯ ДЕТАЛЕЙ

10,00 Корпус внешней трубки вентури	16,14 Плуножерный клапан	44,00 Крышка сальникового уплотнения	74,04 Стопорное кольцо
10,04 Винт (пробка) с шайбой	16,15 Пружина	44,04 ольцевое уплотнение корпуса	76,00 Корпус двигателя с обмоткой
10,05 Шайба	16,16 Кольцевое уплотнение	46,00 Кольцо для защиты от брызг	76,01 Рубашка двигателя с обмоткой
10,12 Уплотнение	16,17 Клапан	46,50 Защита от песка	76,02 Рубашка двигателя, комплект
10,16 Уплотнение	16,20 Уплотнение корпуса	46,51 Кольцо защиты от песка	76,04 Сальник кабеля
10,20 Винт	16,30 Колено	50,00 Корпус подшипника втулки	76,05 Уплотнитель проводов
12,00 Крышка корпуса	18,00 Отражательный диск	52,00 Подшипник втулки	76,06 Гайка
12,01 Корпус напорный	20,00 Прижимающий корпус	52,04 Винт без головки	76,08 Пробка
12,02 Корпус втулки	20,04 Пробка (винт) с шайбой	54,00 Опорная стойка	76,09 Гайка
12,03 Подшипник втулки (неподвижная часть)	20,05 Шайба	54,04 Винт без головки	76,11 Блок тепловой защиты
12,04 Направляющая втулка клапана	20,12 Винт	54,08 Винт без головки	76,12 Устройство тепловой защиты
12,05 Стопорное (пружинное) кольцо	20,16 Гайка	56,00 Адаптер	76,13 Фланец
12,06 Седло клапана	20,20 Шайба	60,00 Корпус втулки	76,14 Стопорное кольцо
12,07 Уплотнительная шайба клапана	22,00 Эжектор	60,02 Опора насоса	76,15 Крышка устройства тепловой защиты
12,10 Комплект клапана	22,02 Диффузор - эжектор	60,04 Винт с шайбой	76,16 Опора
12,12 Уплотнение клапана	22,04 Сопло	60,05 Шайба	76,20 Штифт
12,16 Штепсельная вилка	22,08 Кольцевое уплотнение	60,06 Шайба	76,30 Основание насоса MPC
12,20 Винт	22,12 Кольцевое уплотнение на всасывании	60,08 Гайка	76,31 Винт
12,21 Гайка	22,16 Кольцевое уплотнение	60,10 Масленка	76,32 Гайка
12,24 Крышка корпуса со стороны насоса	25,01 Корпус первой ступени	60,11 Масло	76,50 Обмотка
12,30 Ступень подшипника втулки	25,02 Корпус ступени	60,14 Пробка	76,54 Зажимная коробка в сборе
12,31 Подшипник втулки (вращающаяся часть)	25,03 Корпус ступени с подшипником	60,15 Шайба	76,55 Винт
13,00 Фланцы, сторона всасывания	25,04 Уплотнение	60,18 Пробка	76,60 Поплавковый выключатель
13,01 Кплотнение межфланцевое, сторона всасывания	25,05 Корпус последней ступени	60,19 Шайба	76,62 Крышка рубашки охлаждения
13,04 Винт	25,06 Винт	61,00 Рама	76,63 Винт
13,08 Гайка	25,10 Вставка, заменяющая рабочее колесо	61,02 Винт	76,64 Ручка
13,12 Фланцы, напорная сторона	25,11 Распорка первой ступени	61,03 Шайба	76,65 Крепёж ручки
13,13 Уплотнение межфланцевое, напорная сторона	25,20 Кольцо преднатяга ступени	61,04 Гайка	76,66 Шайба
13,16 Винт	25,22 Кольцевое уплотнение	61,07 Винт	76,68 Кольцевое уплотнение
13,18 Шайба	25,23 Распорное кольцо	61,30 Опора	78,00 Вал-ротор
13,20 Гайка	25,24 Опора кольца преднатяга	61,32 Винт	78,08 Рубашка уплотнения
13,24 Шайба	25,26 Шайба	61,34 Шайба	78,10 Рубашка двигателя
13,30 Переходник на всасывании	25,28 Винт	61,36 Гайка	78,12 Кольцевое уплотнение
13,31 Уплотнение	25,30 Стопорное кольцо	62,00 Винт	81,00 Подшипник со стороны крыльчатки
13,34 Винт	25,32 Стопорное (пружинное) кольцо	62,04 Уплотнение	81,04 Кольцевое уплотнение V-образного сечения, сторона вентилятора
13,38 Гайка	25,34 Винт	62,08 Винт	81,08 Стопорное кольцо
13,50 Патрубок в комплекте	26,00 Диффузор	62,12 Смазочный ниппель	81,12 Компенсационное кольцо
13,54 Гайка патрубка	26,01 Последний диффузор	63,00 Подшипник, сторона насоса	82,00 Крышка двигателя со стороны крыльчатки
13,58 Уплотнение	26,02 Плита диффузора	63,04 Стопорное кольцо	82,01 Крышка двигателя, не вращающаяся сторона
13,60 Фланец с патрубком	26,04 Винт	63,22 Масляное уплотнение	82,02 Винт
14,00 Корпус насоса	26,06 Кольцевое уплотнение	64,00 Вал насоса	82,03 Кольцевое уплотнение
14,02 Рубашка охлаждения	26,08 Втулка диффузора	64,08 Полюй вал	82,04 Компенсационная пружина
14,03 Внешний кожух на всасывании	26,10 Винтовое кольцо	64,10 Опорная втулка	82,05 Винт
14,04 Пробка (винт) с шайбой	27,00 Крышка диффузора	64,12 Уплотнение опорной втулки	82,06 Шайба
14,05 Шайба	27,04 Воронка диффузора	64,13 Верхняя опорная втулка	82,08 Винт
14,06 Уплотнительное кольцо	27,08 Кольцевое уплотнение	64,14 Нижняя опорная втулка	82,09 Гайка
14,12 Штепсельная вилка с шайбой	28,00 Рабочее колесо	64,15 Распорная втулка	82,10 Подъемная скоба
14,13 Шайба	28,02 Уплотнение	64,16 Шпонка полого вала	82,11 Винт
14,14 Заглушка	28,04 Блокировочная гайка раб.колеса	64,18 Распорная втулка	82,12 Кольцевое уплотнение
14,15 Кольцевое уплотнение	28,05 Стопорное кольцо	64,19 Распорная втулка	82,14 Кольцевое уплотнение
14,16 Кольцевое уплотнение	28,07 Шайба	64,20 Шпонка вала	82,18 Крышка втулки, сторона вентилятора
14,17 Винт	28,08 Шайба	64,21 Муфта	82,20 Винт
14,18 Кольцевое уплотнение	28,12 Стопорное кольцо	64,22 Муфта, комплект	82,22 Колпачковая маслѐнка
14,19 Кольцевое уплотнение	28,20 Шпонка рабочего колеса	64,23 Шайба	82,24 Стопорное кольцо
14,20 Уплотнительное кольцо	28,24 Стопорная втулка	64,24 Срезной штифт	84,00 Крышка оболочки ротора
14,22 Крепежное кольцо	28,50 Ведущее колесо	64,25 Винт	84,04 Оболочка ротора
14,24 Винт	28,51 Ведущий вал	64,26 Адаптер	84,08 Винт
14,28 Гайка	30,00 Рабочее колесо второй ступени	64,50 Стыковая накладка	86,00 Крышка оболочки статора
14,29 Шайба	30,50 Ведомое колесо	66,00 Подшипник, сторона муфты	86,04 Оболочка
14,32 Резьбовое соединение	30,51 Ведомый вал	66,04 Упорное кольцо	86,05 Диск защиты оболочки
14,34 Шайба	32,00 Соединительная втулка	66,08 Стопорное кольцо	86,12 Фиксирующее кольцо
14,42 Пробка (винт) с шайбой	32,02 Соединительная втулка на всасывании	66,12 Упорное кольцо	88,00 Крыльчатка
14,43 Шайба	32,04 Винт	66,16 Стопорное кольцо	88,04 Стопорное кольцо
14,46 Пробка (винт) с шайбой	32,05 Гайка	66,18 Стопорное кольцо	88,08 Винт
14,47 Кольцевое уплотнение	32,08 Колено	66,19 Упорное кольцо	90,00 Колпак
14,50 Штепсельная вилка	32,12 Нижняя опора	66,22 Масляное уплотнение	90,04 Винт
14,54 Кольцо для компенсации износа	32,16 Винт	68,00 Крышка втулки, сторона муфты	90,05 Шайба
14,55 Переходное кольцо	32,20 Винт	68,04 Уплотнение	90,08 Опорный винт
14,56 Винт без головки	32,21 Винт	68,08 Винт	92,00 Анкерный болт
14,60 Фланцы, сторона всасывания	32,30 Гайка	68,12 Колпачковая маслѐнка	94,00 Конденсатор
14,62 Винт	32,31 Шайба	68,16 Компенсационная пружина	94,02 Стопорное кольцо конденсатора
14,64 Клапан, комплект	32,32 Винт	70,00 Соединительная втулка, сторона насоса	94,04 Хомут конденсатора
14,65 Уплотнение	32,33 Крышка корпуса	70,04 Кольцевое уплотнение	94,08 Хомут конденсатора
14,66 Шайба	32,40 Воздушный клапан с шайбой	70,05 Кольцевое уплотнение	94,12 Винт
14,67 Шайба	32,41 Шайба	70,08 Кольцевое уплотнение	96,00 Кабель
14,68 Винт	34,00 Крышка корпуса	70,09 Кольцевое уплотнение	96,02 Кабель с вилкой
14,69 Гайка	34,01 Нижняя крышка	70,10 Кольцевое уплотнение	96,04 Защита кабеля
14,70 Крышка люка	34,02 Верхняя крышка	70,11 Уплотнение кабеля поплавкового выключателя	96,05 Защита кабеля
14,72 Винт	34,03 Крышка масляной камеры	70,12 Уплотнение кабеля	96,07 Крепѐж кабеля
14,73 Гайка	34,04 Стопорное кольцо уплотнения рабочего колеса / крышки	70,13 Шайба	96,08 Крепѐж
14,74 Шайба	34,05 Гайка	70,14 Крепѐж кабеля	96,09 Винт
14,75 Уплотнение	34,06 Винт без шляпки	70,15 Винт	96,10 Гайка
14,80 Клапан и шар	34,08 Пробка	70,16 Сальник кабеля	96,12 Фиксатор кабеля питания
14,82 Шар клапана	34,09 Кольцевое уплотнение	70,17 Кольцевой пружинный замок	96,13 Фиксатор кабеля поплавкового выключателя
15,00 Крышка фильтра	34,12 Резьбовая шпилька	70,18 Винт	98,00 Крышка зажимной коробки
15,04 Кольцевое уплотнение	34,13 Кольцевое уплотнение	70,19 Гайка	98,04 Винт
15,08 Резьбовая шпилька	34,16 Гайка	70,20 Винт	98,05 Шайба
15,12 Винт с рукояткой	36,00 Мех. уплотнение	70,21 Шайба	98,08 Уплотнение
15,16 Квадратная гайка	36,50 Гайка	70,22 Гайка	98,12 Клеммная коробка
15,50 Барабанный фильтр	36,51 Стопорное кольцо из двух частей	70,23 Кольцевое уплотнение	98,16 Винт
15,60 Распорный винт	36,52 Упорное кольцо	70,24 Крышка подшипника, сторона насоса	98,20 Винт
15,70 Винт	36,54 Распорная втулка	70,26 Винт	98,24 Уплотнение
16,00 Корпус на всасывании	38,00 Сальниковое уплотнение	70,27 Уплотнение	98,28 Уплотнение
16,04 Пробка (винт) с шайбой	40,00 Радиальное уплотнение вала	70,28 Гайка	98,50 Фонарь
16,05 Шайба	40,04 Распорное кольцо	72,00 Мех. уплотнение	95,54 Выключатель
16,12 Воздушный клапан с шайбой	40,08 Упорное кольцо	72,02 Стопорное кольцо	99,00 Электродвигатель
16,13 Шайба	40,12 Стопорное кольцо	73,00 Подшипник со стороны насоса	99,05 Болт с проушиной
	42,00 Крышка мех. уплотнения	73,02 Кольцо	99,06 Шайба
	42,04 Кольцевое уплотнение крышки	73,04 Стопорное кольцо	99,07 Шайба
	43,00 Защита сальникового уплотнения	73,08 Кольцевое уплотнение V-образного сечения, сторона насоса	
	43,01 Кольцевое уплотнение	73,12 Стопорное кольцо	

DESCRIPCION DE PIEZAS DE RECAMBIO

10.00	Cuerpo venturi externo	26.00	Difusor (bomba)	66.04	Anillo de apoyo
10.04	Tapón con arandela	26.02	Disco del difusor	66.08	Anillo de seguridad
10.12	Junta	26.04	Tornillo	66.12	Anillo de apoyo
10.16	Junta	26.08	Camisa del difusor	66.16	Anillo de seguridad
10.20	Tornillo	26.10	Anillo	66.18	Anillo de seguridad
12.00	Tapa del cuerpo	27.00	Tapa difusor	66.19	Anillo de apoyo
12.01	Cuerpo de impulsión	27.04	Embudo difusor	68.00	Tapa del soporte lado manguito acoplamiento
12.02	Aro soporte	27.08	Junta tórica embudo	68.04	Junta
12.03	Cojinete	28.00	Rodete	68.08	Tornillo
12.04	Guía válvula	28.02	Anillo contra empuje	68.12	Engrasador
12.05	Anillo de seguridad	28.04	Tuerca fijación rodete	70.00	Tapa motor lado bomba (acoplamiento m. b.)
12.06	Asiento válvula	28.05	Anillo de seguridad	70.05	Junta tórica
12.07	Arandela fijación junta válvula	28.07	Arandela fijación	70.09	Junta tórica
12.10	Válvula completa	28.08	Arandela fijación	70.10	Junta tórica
12.12	Junta válvula	28.12	Anillo de seguridad	70.11	Anillo del pasacable (nivostato)
12.16	Tapón	28.20	Chaveta rodete	70.12	Anillo del pasacable
12.20	Tornillo	28.24	Manguito cónico	70.13	Arandela fijación
12.21	Tuerca	28.50	Engranaje de transmisión	70.14	Placa de apriete cable
12.24	Tapa del cuerpo lado motor	28.51	Eje de transmisión	70.15	Tornillo
12.30	Cojinete casquillo elemento	30.00	Rodete segundo elemento	70.16	Manguito prensacable
12.31	Camisa del eje intermedia	30.50	Engranaje conducido	70.17	Anillo de presión
13.00	Contra brida aspiración	30.51	Eje conducido	70.18	Tornillo
13.01	Junta brida aspiración	32.00	Acoplamiento motor bomba	70.19	Tuerca
13.04	Tornillo	32.02	Acoplamiento de aspiración	70.20	Tornillo
13.08	Tuerca	32.04	Tornillo	70.21	Arandela de fijación
13.12	Contra brida impulsión	32.05	Tuerca	70.22	Tuerca
13.13	Junta brida impulsión	32.20	Tornillo	70.24	Tapa cojinete lado bomba
13.16	Tornillo	32.30	Protector	70.26	Tornillo
13.20	Tuerca	32.31	Arandela fijación	70.28	Engrasador
13.60	Brida	32.32	Tornillo	72.00	Sello mecánico
14.00	Cuerpo bomba	34.00	Tapa del cuerpo	72.02	Anillo de seguridad
14.02	Camisa bomba	34.01	Tapa inferior	73.00	Cojinete lado bomba
14.04	Tapón con arandela	34.02	Tapa superior	73.08	Junta lado bomba
14.06	Junta tórica tapón	34.03	Tapa camara de aceite	76.00	Carcasa motor bobinada
14.12	Tapón con arandela	34.12	Tornillo prisionero	76.01	Camisa motor bobinado
14.14	Tapón	34.16	Tuerca	76.02	Camisa motor completa
14.15	Junta tórica tapón	36.00	Sello mecánico	76.04	Anillo pasacable o presacable
14.16	Junta tórica tapón	36.50	Anillo seguridad sello mecánico	76.16	Apoyo
14.17	Tornillo	36.51	Anillo de paro en 2 piezas	76.20	Pasador elástico
14.18	Junta tórica	36.52	Anillo de apoyo	76.50	Rebobinaje
14.19	Junta tórica	36.54	Manguito distanciador	76.54	Placa bornes completa
14.20	Junta cuerpo bomba	38.00	Estopada	76.60	Nivostato
14.22	Anillo de fijación	40.00	Anillo de cierre radial	76.62	Tapa de la camisa motor
14.24	Tornillo	40.04	Anillo distanciador	76.63	Tornillo
14.28	Tuerca	40.08	Anillo de cierre	76.64	Asa transporte
14.29	Arandela fijación	40.12	Anillo de seguridad	76.65	Trabilla del asa
14.32	Racor roscado con arandela	42.00	Tapa del sello mecánico	76.66	Arandela fijación
14.42	Tapón con arandela	42.04	Junta tórica para tapa del sello mecánico	78.00	Eje con rotor
14.46	Tapón con arandela	44.00	Prensa estopas	78.12	Junta tórica
14.47	Junta tórica	44.04	Casquillo refrigerador	81.00	Cojinete
14.50	Tapón	46.00	Aspersor	81.04	Junta lado ventilador
14.54	Anillo de cierre lado aspiración	46.50	Protector de arenas	81.12	Anillo compensador
14.55	Anillo adaptador	50.00	Cuerpo soporte inferior	82.00	Tapa motor lado ventilador
14.60	Brida de aspiración	52.00	Camisa del eje	82.01	Tapa motor lado opuesto
14.62	Tornillo	52.04	Tornillo	82.02	Tornillo
14.64	Válvula completa	54.00	Tubo intermedio	82.03	Junta tórica
14.70	Tapa registro	54.04	Tornillo	82.04	Muelle de compensación
14.72	Tornillo	54.08	Tornillo	82.05	Tornillo
14.73	Tuerca	56.00	Acoplamiento de unión	82.08	Tornillo
14.74	Arandela fijación	60.00	Cuerpo soporte	82.09	Tuerca
14.75	Junta	61.00	Base	82.18	Tapa cojinete lado ventilador
15.00	Tapa filtro	61.02	Espárrago tirante	82.20	Tornillo
15.04	Junta tórica para filtro	61.03	Arandela fijación	82.22	Engrasador
15.08	Tornillo prisionero	61.04	Tuerca	82.24	Anillo de seguridad
15.12	Pomo	61.07	Tornillo	88.00	Ventilador
15.16	Tuerca cuadrada	61.30	Pie de sostén	88.04	Anillo de seguridad
15.50	Filtro	61.32	Tornillo	90.00	Protector ventilador
16.00	Cuerpo aspiración	61.34	Arandela fijación	90.04	Tornillo
16.04	Tapón con arandela	61.36	Tuerca	90.08	Tornillo de apoyo
16.12	Válvula purga aire	62.00	Tapa soporte lado rodete	92.00	Espárrago tirante
16.20	Junta cuerpo bomba	62.04	Junta	94.00	Condensador
16.30	Tubo acodado	62.08	Tornillo	94.02	Anillo fijación condensador
18.00	Disco separador	62.12	Engrasador	94.04	Brida fijación condensador
20.00	Cuerpo impulsión	63.00	Cojinete lado rodete	94.12	Tornillo
20.04	Tapón con arandela	64.00	Eje bomba	96.00	Cable eléctrico
20.12	Tornillo	64.08	Camisa del eje	96.02	Cable con conector
20.16	Tuerca	64.10	Casquillo guía del cojinete	96.04	Cubre cable
20.20	Arandela fijación	64.12	Junta tórica para la camisa	96.07	Bloca cable
22.00	Inyector venturi	64.13	Manguito distanciador superior	96.08	Abrazadera
22.02	Difusor venturi	64.14	Manguito distanciador inferior	96.09	Tornillo
22.04	Tobera venturi	64.15	Manguito distanciador intermedio	96.10	Tuerca
22.08	Junta tórica precámara	64.16	Chaveta para la camisa	98.00	Tapa caja bornes
22.12	Junta tórica lado aspiración	64.18	Manguito distanciador	98.04	Tornillo
22.16	Junta tórica lado rodete	64.19	Manguito distanciador	98.08	Junta
25.01	Cuerpo primera etapa	64.20	Chaveta para la extremidad del eje	98.12	Caja bornes con tapa
25.02	Cuerpo elemento	64.21	Manguito acoplamiento	98.16	Tornillo
25.03	Cuerpo elemento con cojinete	64.22	Manguito acoplamiento completo	98.20	Tornillo
25.04	Junta plana	64.23	Arandela fijación	98.24	Junta
25.05	Cuerpo último elemento	64.24	Pasador elastico	98.28	Junta
25.06	Tornillo	64.25	Tornillo	99.00	Motor completo
25.10	Espesor para rodete ausente	64.26	Anillo de ajustaje		
25.11	Distanciador primer elemento	66.00	Cojinete lado manquito acoplamiento		